

WIN*SOURCE*
ELECTRONICS

THE DATASHEET OF
6473711-1



6473711-1 ✓ ACTIVE

AMP | SUPERSEAL 1.0mm

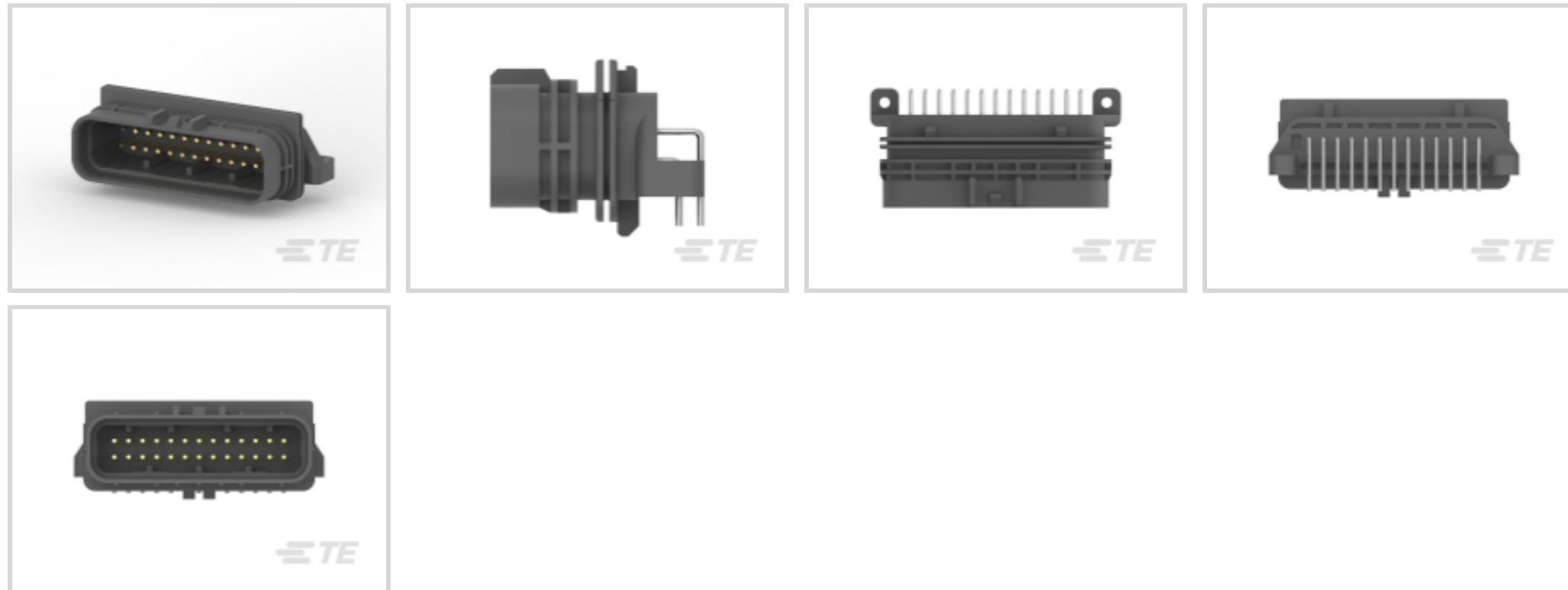
TE Internal #: 6473711-1

SUPERSEAL 1.0mm, Automotive Headers, Wire-to-Device / Wire-to-Board, 26 Position, 3.5mm [.138in] Centerline, Sealable, Horizontal, 2 Row, Black

[View on TE.com >](#)



Connectors > Automotive Connectors > Automotive Headers > SUPERSEAL 1.0 HEADERS



Connector System: **Wire-to-Board, Wire-to-Device**

Number of Positions: **26**

Centerline (Pitch): **3.5 mm [.138 in]**

Sealable: **Yes**

PCB Mount Orientation: **Horizontal**

[All SUPERSEAL 1.0 HEADERS \(23\)](#)

Features

Product Type Features

Hybrid Header	No
Connector System	Wire-to-Board, Wire-to-Device
Sealable	Yes
Connector & Contact Terminates To	Printed Circuit Board

Configuration Features

Number of Signal Positions	26
Number of Positions	26
PCB Mount Orientation	Horizontal
Number of Rows	2

Electrical Characteristics

Voltage Rating (Max)	250 VAC
Nominal Voltage Architecture	12 V, 24 V, 42 V, 48 V, 240 V



Operating Voltage	250 VAC
-------------------	---------

Body Features

Primary Product Color	Black
-----------------------	-------

Contact Features

Mating Pin Diameter	1 mm [.039 in]
---------------------	----------------

Contact Mating Area Plating Material	Gold (Au)
--------------------------------------	-----------

Termination Features

Termination Method to Printed Circuit Board	Through Hole - Solder
---	-----------------------

Mechanical Attachment

Locking Interface	With
-------------------	------

Mounting Holes	With
----------------	------

PCB Mount Alignment	With
---------------------	------

Panel Mount Feature	Without
---------------------	---------

PCB Mount Retention	With
---------------------	------

PCB Mount Retention Type	Mounting Hole
--------------------------	---------------

Housing Features

Centerline (Pitch)	3.5 mm [.138 in]
--------------------	------------------

Dimensions

Profile Height from PCB	22.3 mm [.877 in]
-------------------------	-------------------

Product Width	23 mm [.905 in]
---------------	-----------------

Product Length	57.4 mm [2.25 in]
----------------	-------------------

Usage Conditions

Operating Temperature (Max)	65 °C, 70 °C, 75 °C, 80 °C, 85 °C, 90 °C, 100 °C, 105 °C, 110 °C, 120 °C, 125 °C [149 °F] [158 °F] [167 °F] [176 °F] [185 °F] [194 °F] [212 °F] [221 °F] [230 °F] [248 °F] [257 °F]
-----------------------------	---

Operating Temperature Range	-40 – 125 °C, -40 – 125 °C [-40 – 257 °F] [-40 – 257 °F]
-----------------------------	--

Operation/Application

Shielded	No
----------	----

Industry Standards

Degree of Protection	JIS D0203
----------------------	-----------

Packaging Features



Packaging Type	Tube
Packaging Quantity	10

Product Compliance

[For compliance documentation, visit the product page on TE.com>](#)

EU RoHS Directive 2011/65/EU	Compliant
EU ELV Directive 2000/53/EC	Compliant
China RoHS 2 Directive MIIT Order No 32, 2016	No Restricted Materials Above Threshold
EU REACH Regulation (EC) No. 1907/2006	Current ECHA Candidate List: JAN 2021 (211) Candidate List Declared Against: JAN 2021 (211) Does not contain REACH SVHC
Halogen Content	BFR/CFR/PVC Free, but Br/Cl >900 ppm in other sources.
Solder Process Capability	Wave solder capable to 265°C

Product Compliance Disclaimer

This information is provided based on reasonable inquiry of our suppliers and represents our current actual knowledge based on the information they provided. This information is subject to change. The part numbers that TE has identified as EU RoHS compliant have a maximum concentration of 0.1% by weight in homogenous materials for lead, hexavalent chromium, mercury, PBB, PBDE, DBP, BBP, DEHP, DIBP, and 0.01% for cadmium, or qualify for an exemption to these limits as defined in the Annexes of Directive 2011/65/EU (RoHS2). Finished electrical and electronic equipment products will be CE marked as required by Directive 2011/65/EU. Components may not be CE marked. Additionally, the part numbers that TE has identified as EU ELV compliant have a maximum concentration of 0.1% by weight in homogenous materials for lead, hexavalent chromium, and mercury, and 0.01% for cadmium, or qualify for an exemption to these limits as defined in the Annexes of Directive 2000/53/EC (ELV). Regarding the REACH Regulation, the information TE provides on SVHC in articles for this part number is based on the latest European Chemicals Agency (ECHA) 'Guidance on requirements for substances in articles' posted at this URL: <https://echa.europa.eu/guidance-documents/guidance-on-reach>

Compatible Parts

TE Part # CAT-SU763-CH8172
SUPERSEAL 1.0 HOUSINGS

TE Part # 1473712-2
SUPER SEAL 2ROW 26POS PLUG ASS

TE Part # 1473712-1
SUPER SEAL 2ROW 26POS PLUG ASS

Also in the Series | **SUPERSEAL 1.0mm**



Automotive Headers(24)



Automotive Housings(11)

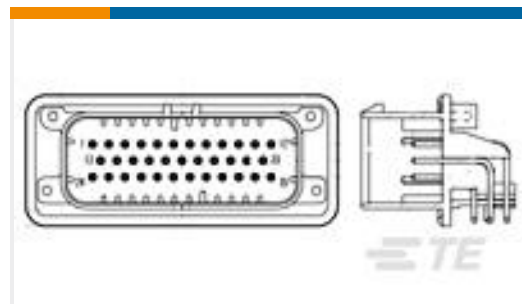


Automotive Seals & Cavity Plugs(1)



Automotive Terminals(6)

Customers Also Bought



TE Part #1-776163-1
35 POS AMPSEAL HDR ASSY BLK



TE Part #1-963215-1
16P STIFTWANNE 3MM



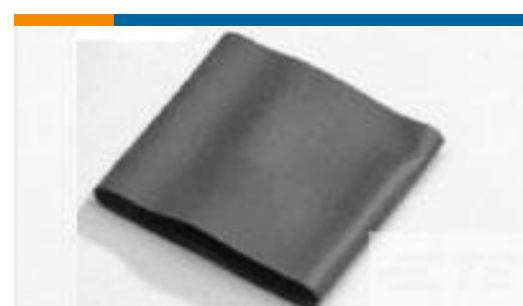
TE Part #1376366-2
SIGNAL HEADER



TE Part #1376607-1
025 TAB CONT L/P PRE-TIN



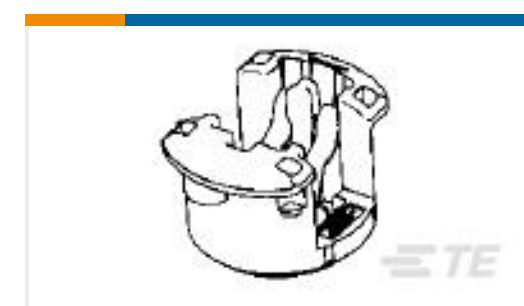
TE Part #1376700-1
040-3 UNSEALED CONT REC S L/P



TE Part #985923J001
V2-6.0-0-SP-SM



TE Part #1376689-1
11DIA SQUIB SLIM LOCK BUTTON



TE Part #1473369-3
SQUIB 11DIA SCR ASSY 8.8MM TYP



TE Part #1473369-5
SQUIB 11DIA SCR ASSY 8.8MM TYP

Documents

Product Drawings

[SUPER SEAL 26POS CAP ASSY H AU](#)

Japanese

CAD Files

[Customer View Model](#)

[ENG_CVM_6473711-1_O3.3d_igs.zip](#)

English

[Customer View Model](#)



[ENG_CVM_6473711-1_O3.3d_stp.zip](#)

English

Customer View Model

[ENG_CVM_6473711-1_O3.2d_dxf.zip](#)

English

3D PDF

English

By downloading the CAD file I accept and agree to the [Terms and Conditions](#) of use.

Datasheets & Catalog Pages

[ICT Terminals and Connectors Catalogue](#)

English

CONNECTOR SELECTOR

English

Product Specifications

[Receptacle Contact, Super Seal Connector](#)

Japanese

[Application Specification](#)

Japanese

[Super Seal Connector](#)

Japanese

[Application Specification](#)

Japanese

Product Environmental Compliance

[Product Compliance](#)

English

[Product Compliance](#)

English

Mouser Electronics

Authorized Distributor

Click to View Pricing, Inventory, Delivery & Lifecycle Information:

[TE Connectivity:](#)

[6473711-1](#)

Looking for pricing, stock, or lifecycle information?

Click below to explore more details on WIN SOURCE:

[View 6473711-1 on WIN SOURCE](#)

[TE Connectivity Information](#)

Optimize Your Supply Chain with WIN SOURCE Solutions

- ✓ Global Sourcing Solution
- ✓ Obsolete Management
- ✓ Cost Control Management
- ✓ Shortage Management
- ✓ Alternative Solution
- ✓ Excess Inventory Management