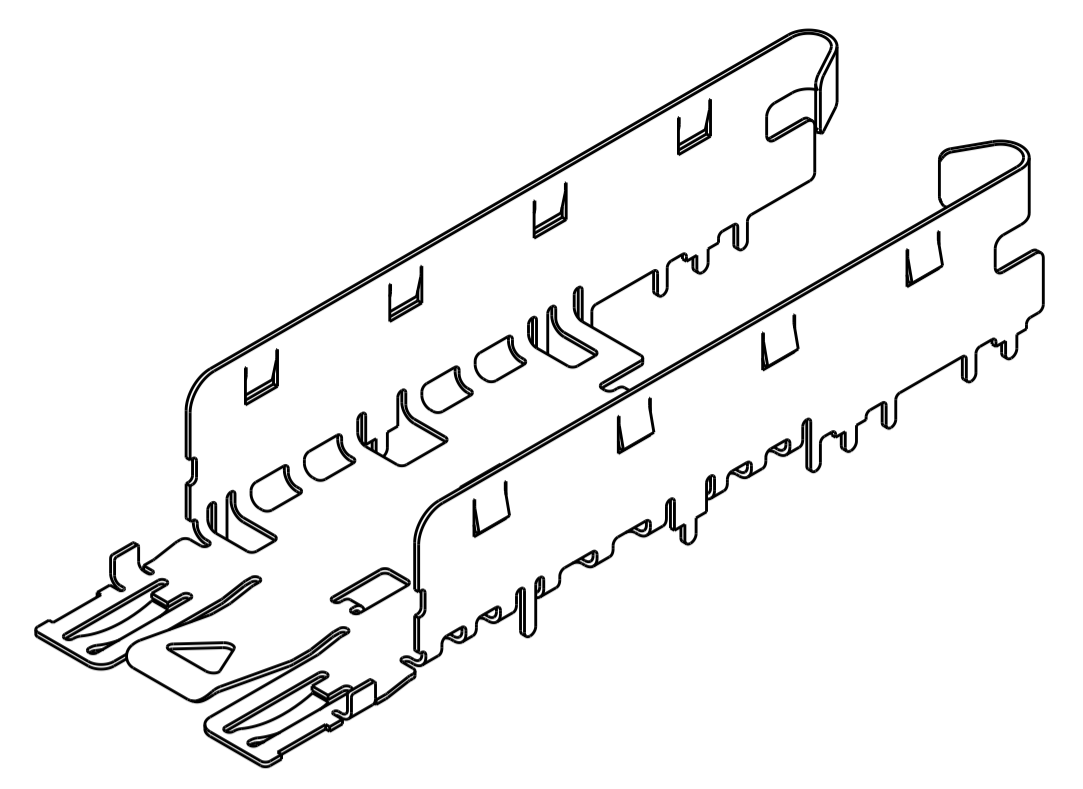




THE DATASHEET OF
6367034-1

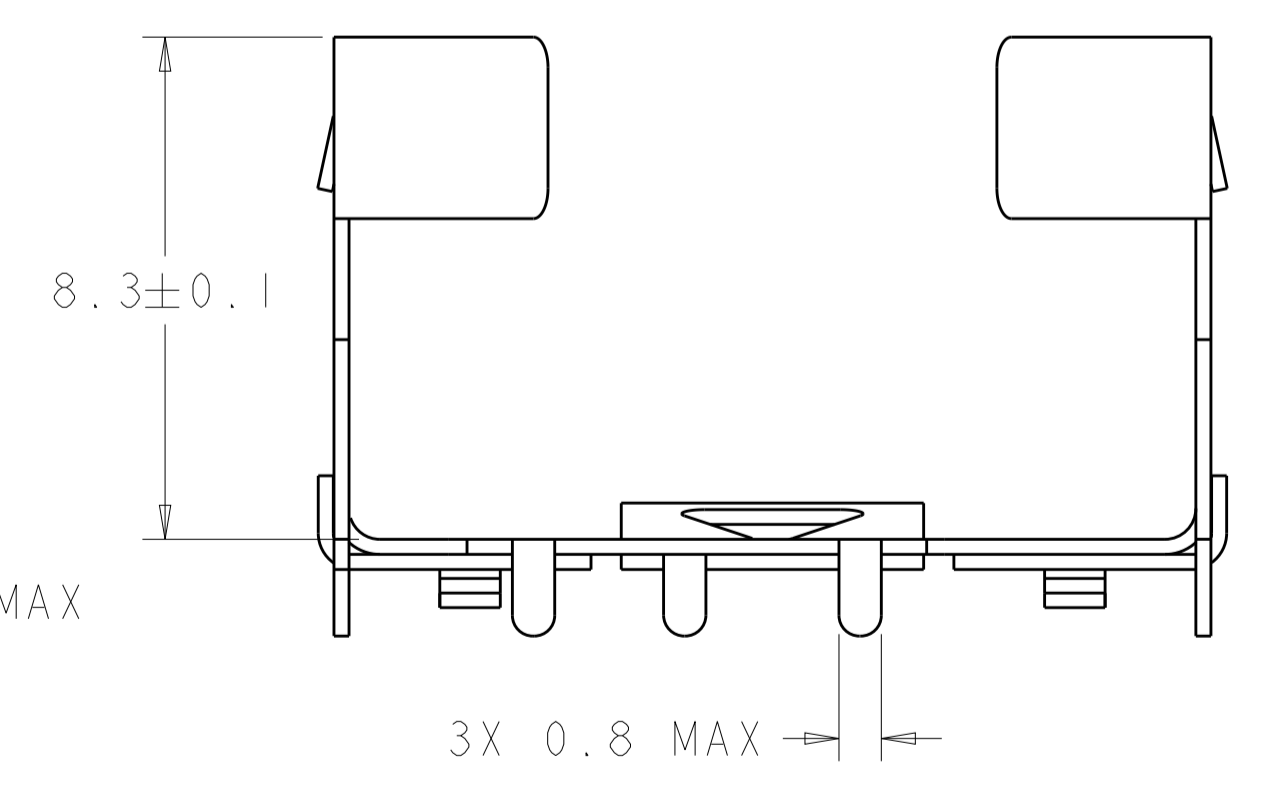
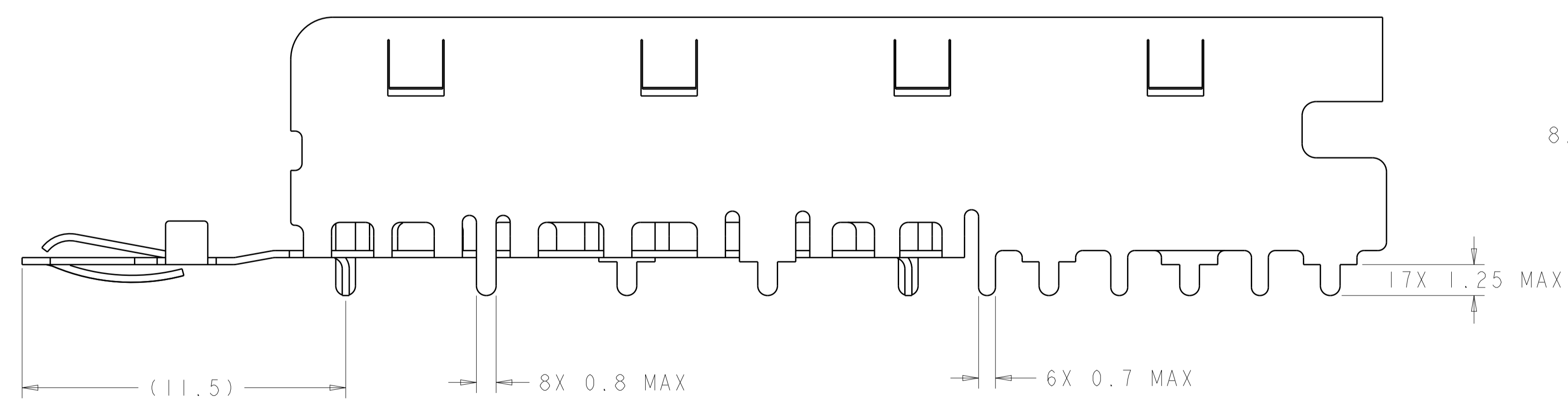
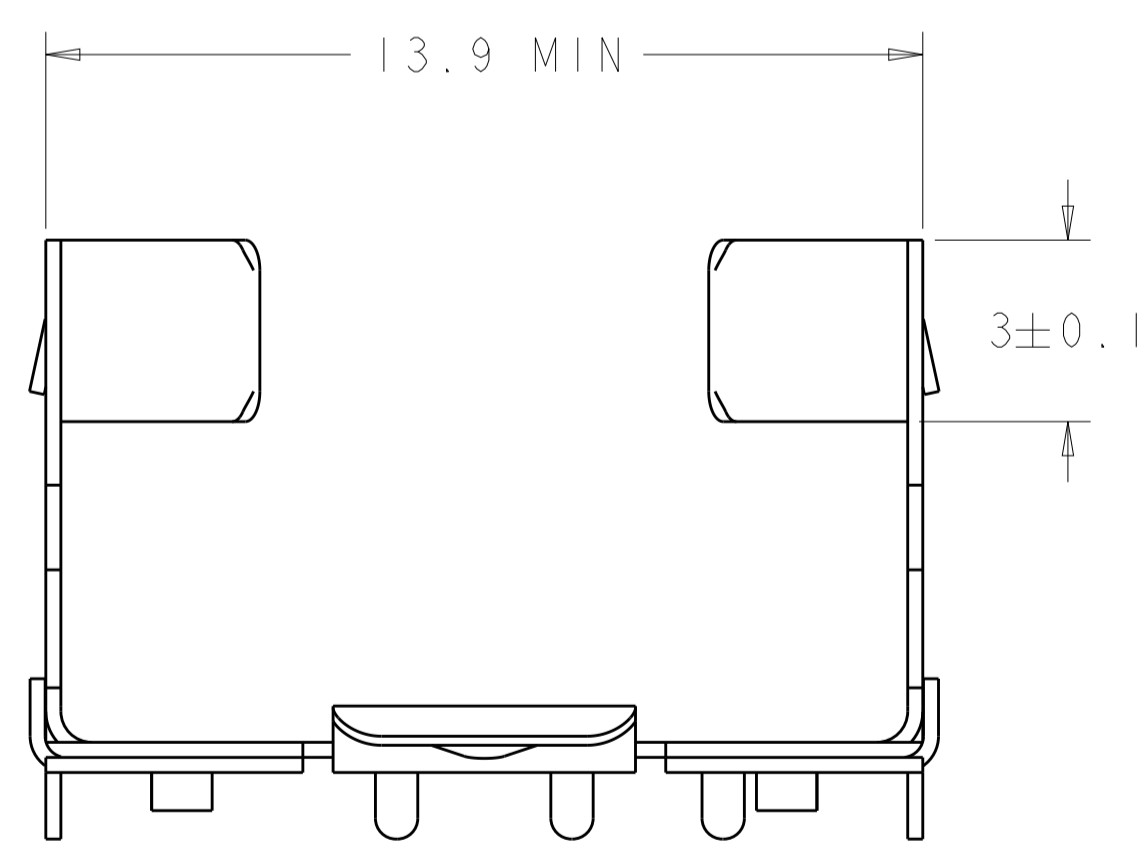
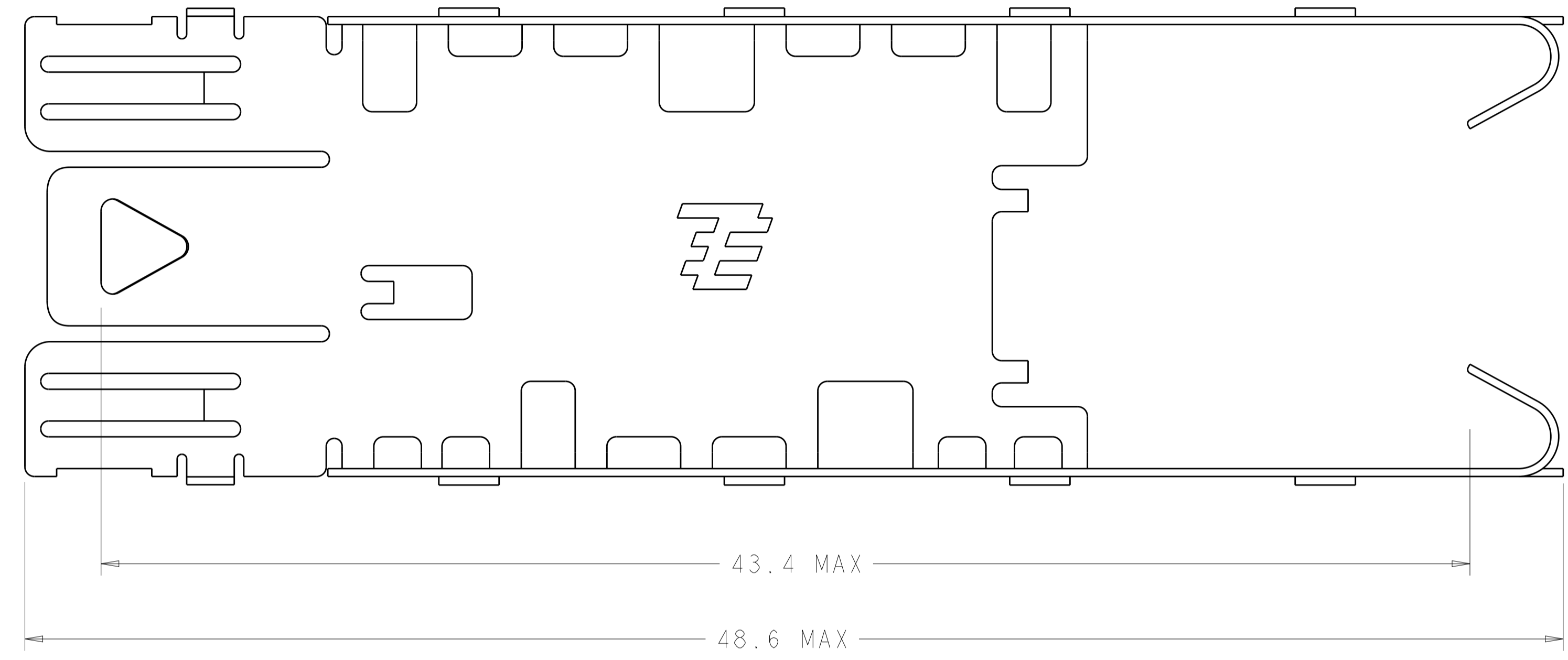


LOC		DIST		REVISIONS			
GP	00	P	LTN	DESCRIPTION	DATE	DWN	APVD
		C1		REVISED PER ECO-11-005033	19MAR2011	RK	HMR
		C2		REVISED PER ECO-18-004515	23MAR2018	IT	SH



SCALE 3:1

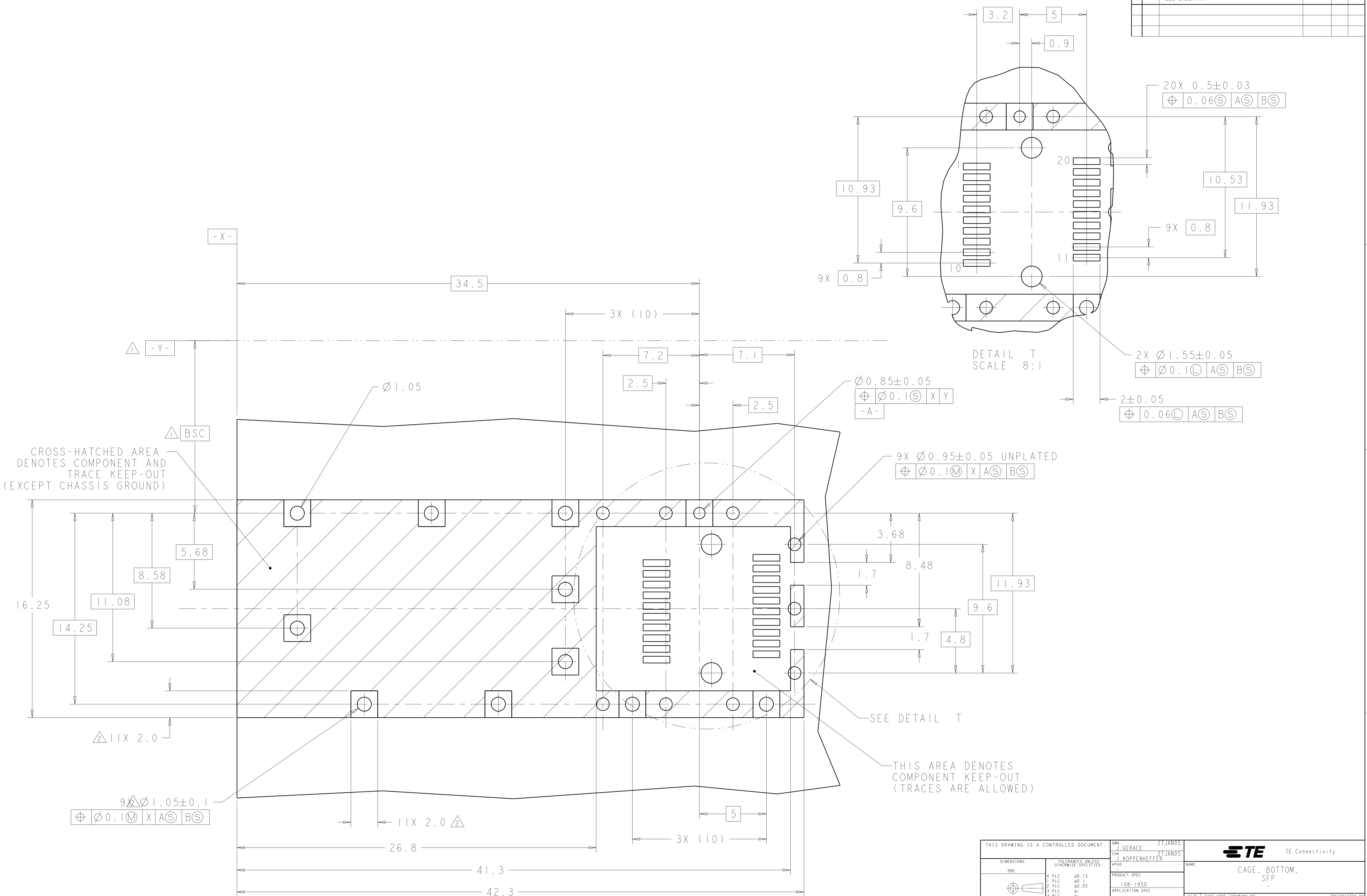
- △ DATUM AND BASIC DIMENSION, TO BE ESTABLISHED BY CUSTOMER.
 - △ PADS AND VIAS ARE CHASSIS GROUND.
 - △ COPPER ALLOY, 0.25 THICKNESS.
 - △ 1.25 MICRONS MIN TIN OVER 0.125 MICROMETERS MIN NICKEL. BARE EDGES PERMISSIBLE.
5. PACKAGED 240 PIECES PER 13 INCH REEL.



OBSELETE 6367034-1
PART NUMBER

THIS DRAWING IS A CONTROLLED DOCUMENT.		DWN J. GERACE 27JAN05	TE Connectivity	
DIMENSIONS:		CHK J. KOPPENHEFFER 27JAN05	CAGE, BOTTOM, SFP	
TOLERANCES UNLESS OTHERWISE SPECIFIED:		APVD	PRODUCT SPEC	
mm			108-1950	
0 PLC ±0.13			APPLICATION SPEC	
1 PLC ±0.1			114-13017	
2 PLC ±0.05			RESTRICTED TO	
3 PLC ±			SIZE CAGE CODE DRAWING NO	
4 PLC ±			A100779C=6367034	
ANGLES ±			WEIGHT	
FINISH			CUSTOMER DRAWING	
MATERIAL			SCALE 8:1 SHEET 1 OF 2 REV C2	

LOC	DIST	REVISIONS					
GP	00	P.	LTH	DESCRIPTION	DATE	DWN	APVD
		-		SEE SHEET 1			



THIS DRAWING IS A CONTROLLED DOCUMENT.		DWN: J. GERACE 27JAN05	TE Connectivity
DIMENSIONS: mm		CHK: J. KOPPENHEFFER	
TOLERANCES UNLESS OTHERWISE SPECIFIED:		APVD:	NAME: CAGE, BOTTOM, SFP
0 PLC ±0.13	1 PLC ±0.1	PRODUCT SPEC: 108-1950	SIZE: CAGE CODE DRAWING NO: A100779
2 PLC ±0.05	3 PLC ±0.05	APPLICATION SPEC: 114-13017	RESTRICTED TO: C=6367034
4 PLC ±0.05	ANGLES ±0.1	WEIGHT:	SCALE: 8:1 SHEET 2 OF 2 REV: C2
MATERIAL:	FINISH:	CUSTOMER DRAWING:	

Looking for pricing, stock, or lifecycle information?

Click below to explore more details on WIN SOURCE:

 [View 6367034-1](#) on WIN SOURCE

 [TE Connectivity](#) Information

Optimize Your Supply Chain with WIN SOURCE Solutions

-  Global Sourcing Solution
-  Obsolete Management
-  Cost Control Management
-  Shortage Management
-  Alternative Solution
-  Excess Inventory Management