



**THE DATASHEET OF**  
**440297-1**





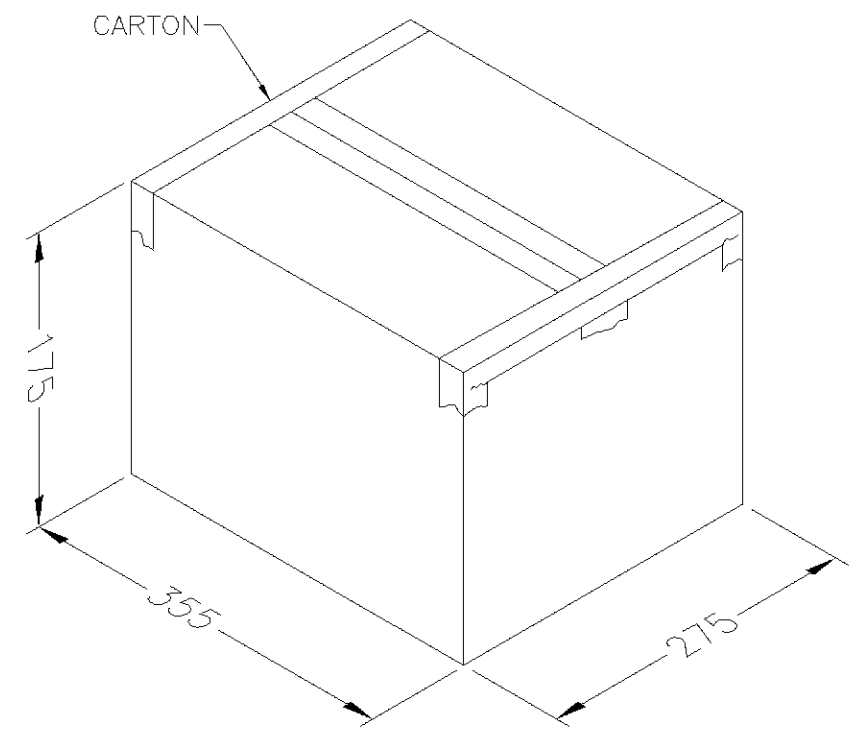
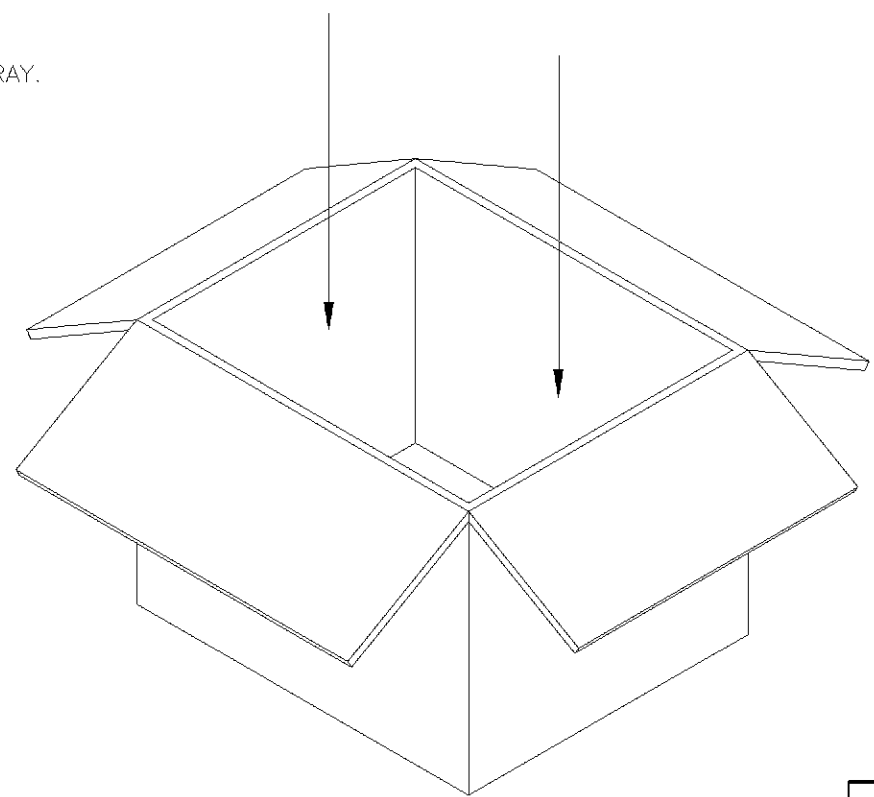
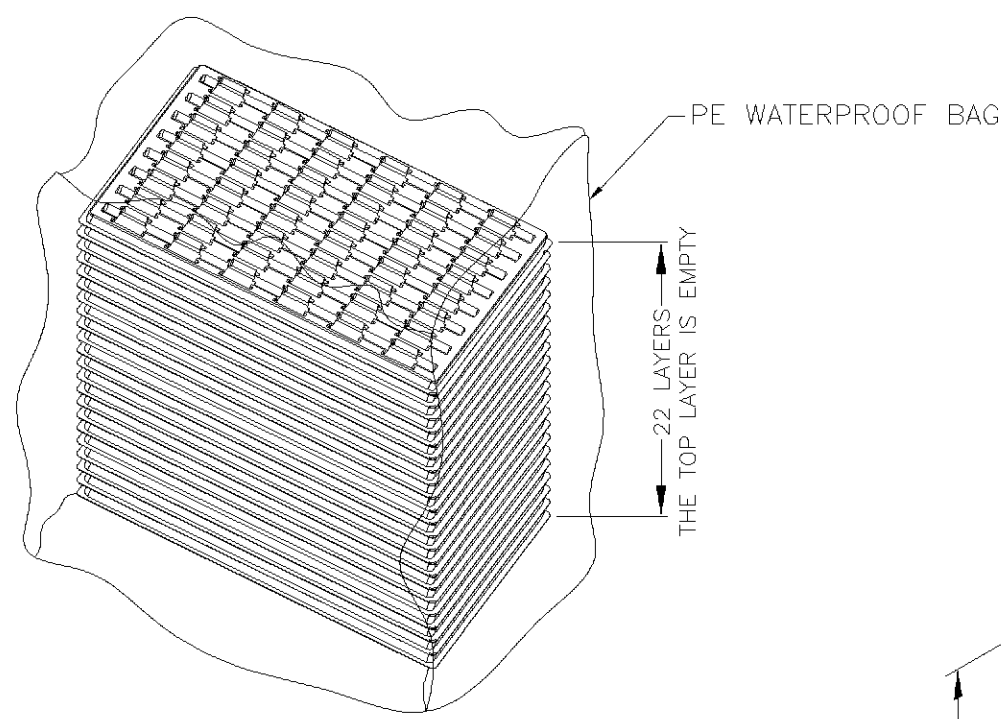
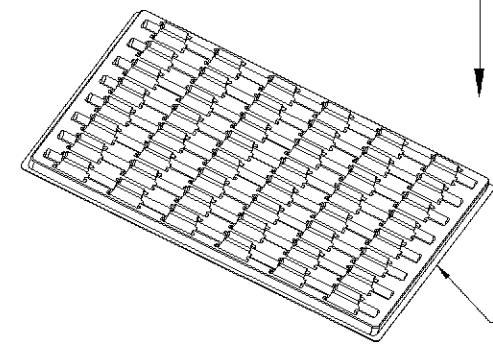
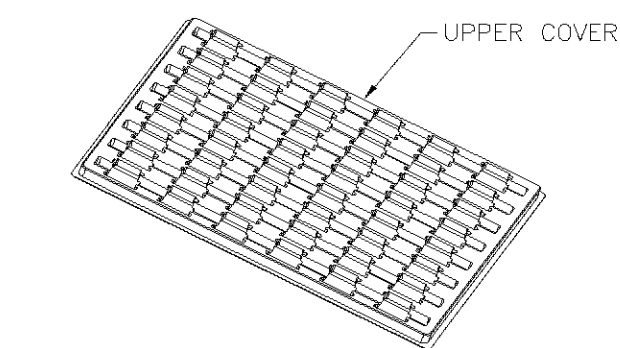
NUMBER  
C-440297

3RD ANGLE PROJECTION

METRIC

THIS INFORMATION IS CONFIDENTIAL AND IS DISCLOSED TO YOU ON CONDITION THAT NO FURTHER DISCLOSURE IS MADE BY YOU TO OTHER THAN AMP PERSONNEL WITHOUT WRITTEN AUTHORIZATION FROM AMP (TAIWAN) LTD. DIMENSION IN MILLIMETERS. DO NOT SCALE PRINT.

PRINT DIST  
DW



1000 PCS	3.6 KG
QUANTITY	WEIGHT

DIMENSION : 0 PLC ± 1 PLC ± 2 PLC ± 3 PLC ± ANGLES ±	DWN J. CHENG 06-FEB-2003	 TYCO HOLDINGS (BERMUDA) VII LTD. TAIWAN BRANCH			
	CHK J. WU 06-FEB-2003				
MATERIAL -	APVD J. WU 06-FEB-2003	SECURITY DIGITAL CARD CONNECTOR			
	PRODUCT SPEC -				
FINISH -	APPLICATION SPEC -	LOC DW	SIZE A <sub>3</sub>	DRAWING NO C-440297	REV B
	WEIGHT	SCALE --	SHEET 2 OF 3		

SEE SHEET 1.	ECN	DWN CHK	DATE
LTR	REVISION RECORD		

D  
C  
B  
A

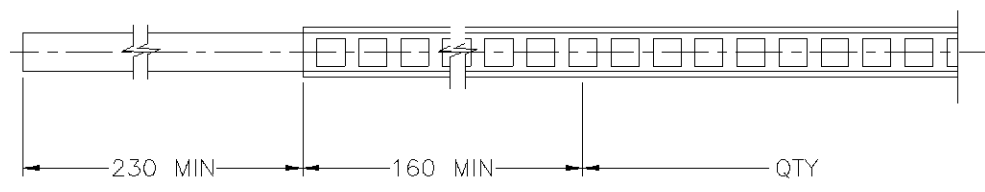
NUMBER  
C-440297

3RD ANGLE PROJECTION

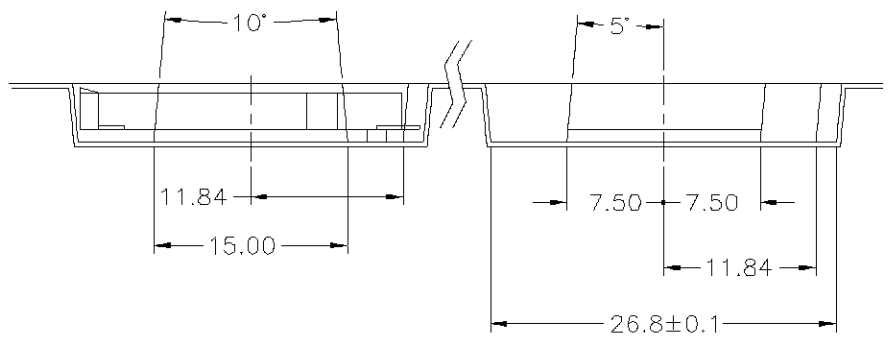
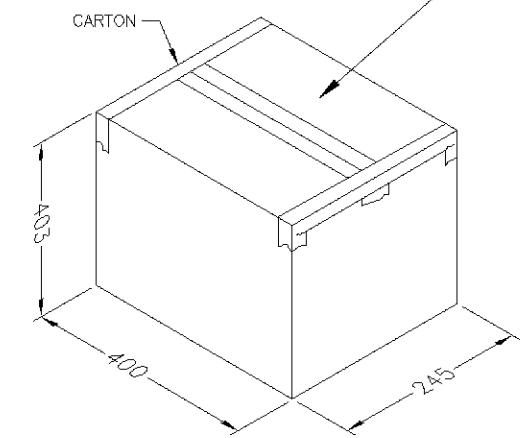
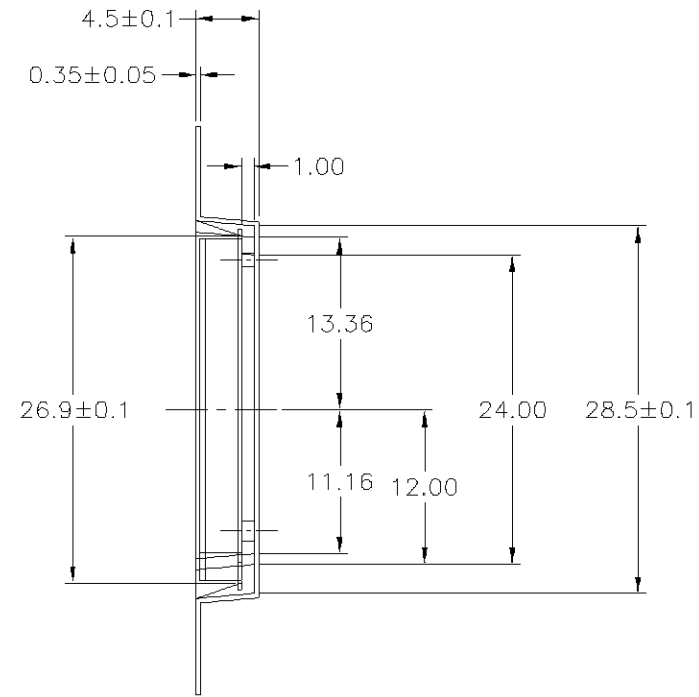
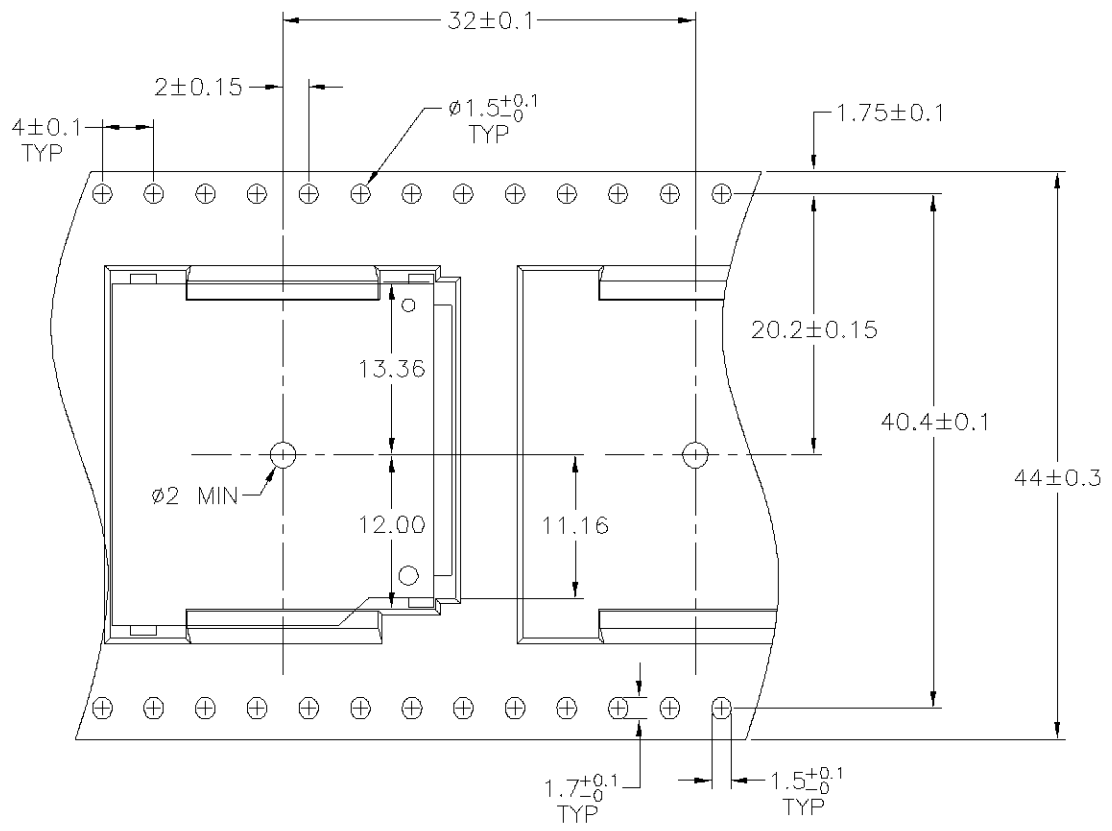
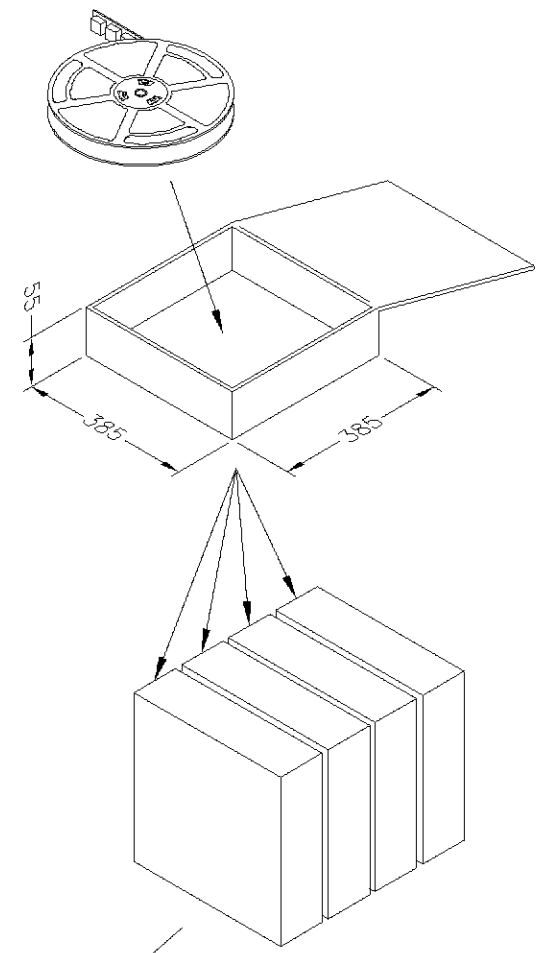
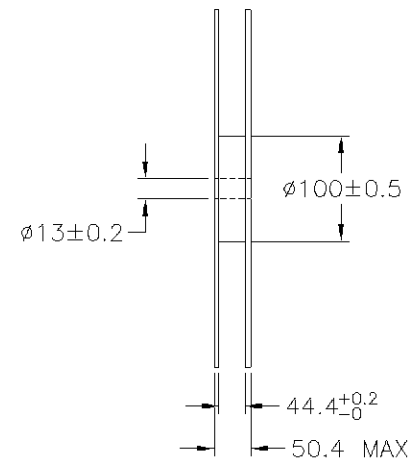
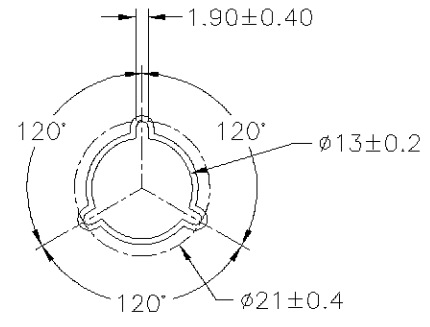
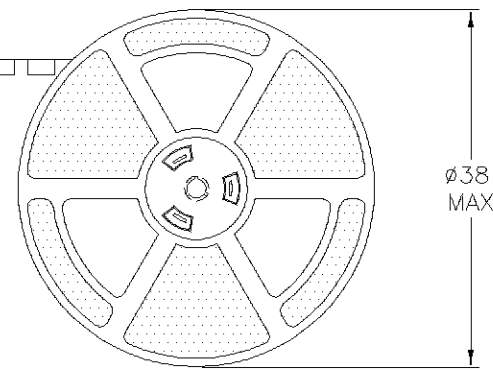
METRIC

THIS INFORMATION IS CONFIDENTIAL AND IS DISCLOSED TO YOU ON CONDITION THAT NO FURTHER DISCLOSURE IS MADE BY YOU TO OTHER THAN AMP PERSONNEL WITHOUT WRITTEN AUTHORIZATION FROM AMP (TAIWAN) LTD. DIMENSION IN MILLIMETERS. DO NOT SCALE PRINT.

PRINT  
DW



PULL OUT DIRECTION



2400 PCS	600 PCS
QUANTITY	TAPE REEL

DIMENSION : 0 PLC $\pm 0.3$ 1 PLC $\pm 0.25$ 2 PLC $\pm 0.2$ 3 PLC $\pm$ ANGLES $\pm 0.5^\circ$	DWN J. CHENG 06-FEB-2003	 TYCO HOLDINGS (BERMUDA) VII LTD. TAIWAN BRANCH
	CHK J. WU 06-FEB-2003	
MATERIAL -	APVD J. WU 06-FEB-2003	NAME SECURITY DIGITAL CARD CONNECTOR
FINISH -	PRODUCT SPEC -	LOC DW
	APPLICATION SPEC -	SIZE A <sub>3</sub>
	WEIGHT	DRAWING NO C-440297
		REV B
		SCALE --
		SHEET 3 OF 3


LTR	SEE SHEET 1.	ECN	DWN CHK	DATE
	REVISION RECORD			

CUSTOMER DRAWING

7 6 5 4 3 2 1

## Looking for pricing, stock, or lifecycle information?

Click below to explore more details on WIN SOURCE:

 [View 440297-1](#) on WIN SOURCE

 [TE Connectivity](#) Information

## Optimize Your Supply Chain with WIN SOURCE Solutions

-  Global Sourcing Solution
-  Obsolete Management
-  Cost Control Management
-  Shortage Management
-  Alternative Solution
-  Excess Inventory Management