



THE DATASHEET OF
61301821121



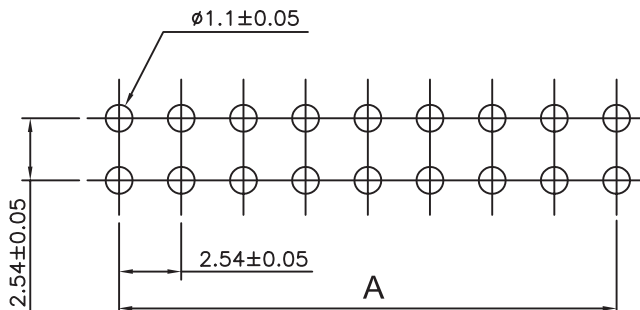
1

2

3

4

5



PCB LAYOUT - COMPONENT VIEW

TECHNICAL CHARACTERISTICS

MATERIAL
 INSULATOR: PA6T
 COLOR: BLACK
 CONTACT MATERIAL: COPPER ALLOY
 CONTACT TYPE: STAMPED
 CONTACT PLATING: GOLD
 QUALITY CLASS: 3 AS PER CECC 75 301-802
 PITCH: 2.54MM

ENVIRONMENTAL
 OPERATING TEMPERATURE: -40 UP TO 105°C
 FLAMABILITY RATING: UL94-V0
 COMPLIANCE: LEAD FREE AND ROHS

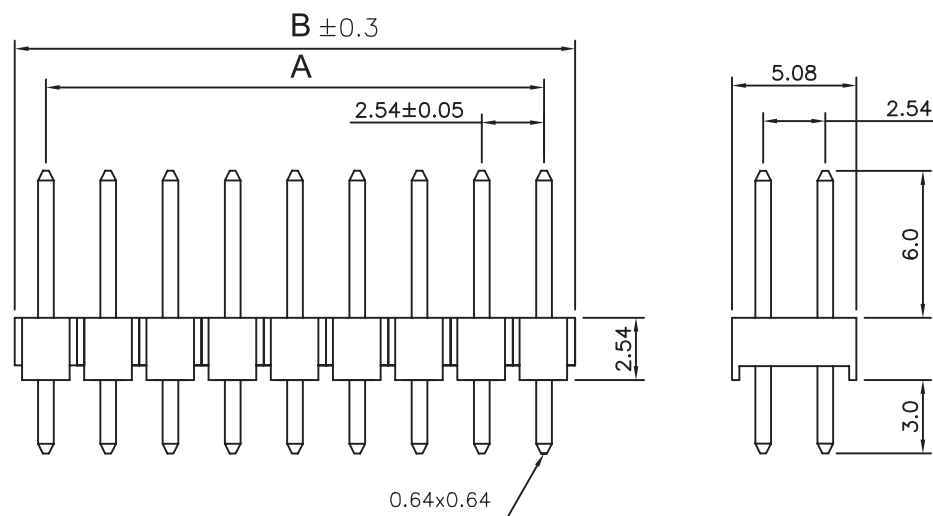
ELECTRICAL
 CURRENT RATING: 3A
 WORKING VOLTAGE: 250V AC
 INSULATOR RESISTANCE: >1000 MOHM
 DIELECTRIC WITHSTANDING VOLTAGE: 500V AC/MN
 CONTACT RESISTANCE: 20 mOHM MAX

STANDARD
 CERTIFIED: E323964

SOLDERING
 JEDEC LEAD FREE WAVE SOLDERING PROCESS

PACKAGING
 BAG

DIMENSION
 A = 2.54 x (NB PINS/2 - 1)
 B = 2.54 x (NB PINS/2)



RoHS Compliant

PROJECTION:



GENERAL TOLERANCE

.X = +/- 0.2

.XX = +/- 0.15



APPROVAL: GMo

UNIT: MM

SCALE:

SHEET: 1/3

DRAW: PEARL

DESCRIPTION: 2.54MM DUAL PIN HEADER

WERI PART NO: 613 0xx 211 21

SIZE

A4

I	16-JUN-15	PCN PA6T	AK				
H	26-NOV-13	MATERIAL UPDATE	QL				
REV	DATE	FILE	BY				

1

2

3

4

5

Note:

1.Dimension

Inner Carton Size:38.4*26.3*13(CM)

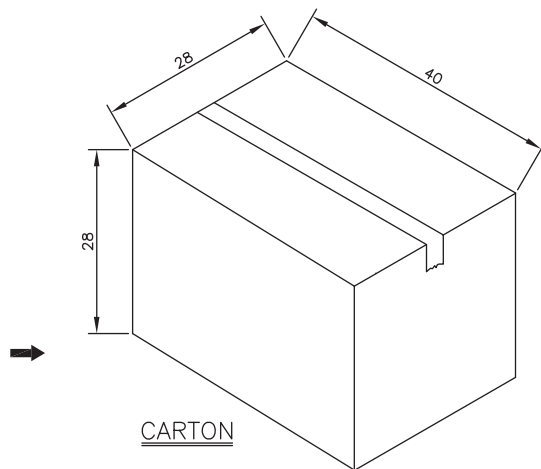
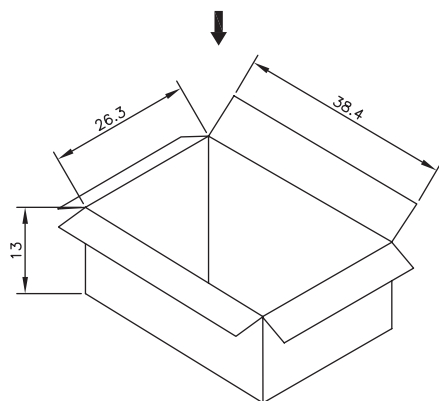
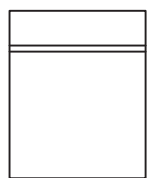
Carton Size:40*28*28(CM)

2.Quantity:

2 Inner Carton/Carton

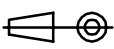

Pin	Pcs/Bag	Pcs/Inner Carton	Pcs/Carton	Pin	Pcs/Bag	Pcs/Inner Carton	Pcs/Carton
4	2000	36000	72000	44	100	3600	7200
6	2000	20000	40000	46	100	3600	7200
8	2000	16000	32000	48	100	3600	7200
10	2000	12000	24000	50	100	3600	7200
12	1000	10000	20000	52	100	3600	7200
14	1000	8000	16000	54	100	3600	7200
16	500	6000	12000	56	100	3600	7200
18	500	5000	10000	58	100	3200	6400
20	500	5000	10000	60	100	3200	6400
22	500	5000	10000	62	100	3200	6400
24	300	4500	9000	64	100	3200	6400
26	300	4500	9000	66	100	3200	6400
28	300	4200	8400	68	100	2800	5600
30	300	4200	8400	70	100	2800	5600
32	200	4000	8000	72	100	2800	5600
34	200	4000	8000	74	100	2800	5600
36	200	4000	8000	76	100	2400	4800
38	200	4000	8000	78	100	2400	4800
40	100	4000	8000	80	100	2400	4800
42	100	3600	7200				

PE BAG



CARTON

RoHS Compliant

G				PROJECTION: 	GENERAL TOLERANCE .X = +/- 0.2 .XX = +/- 0.15		DESCRIPTION: 2.54MM DUAL PIN HEADER	SIZE A4	
F									
E									
D									
C				APPROVAL: GMo	UNIT: MM	WERI PART NO: 613 0xx 211 21			
B					SCALE:				
A		PDF			SHEET: 2/3				
REV	DATE	FILE	BY		DRAW: PEARL				

1

2

3

4

5

Cautions and Warnings:

This electronic component is designed and developed with the intention for use in general electronics equipments.

Before incorporating the components into any equipments in the field such as aerospace, aviation, nuclear control, submarine, transportation, (automotive control, train control, ship control), transportation signal, disaster prevention, medical, public information network etc. where higher safety and reliability are especially required or if there is possibility of direct damage or injury to human body, Würth Elektronik must be asked for a written approval.

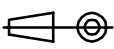

In addition, even electronic component in general electronic equipments, when used in electrical circuits that require high safety, reliability functions or performance, the sufficient reliability evaluation-check for the safety must be performed before by the user before usage.

A

B

C



RoHS Compliant

G				PROJECTION: 	GENERAL TOLERANCE .X = +/- 0.2 .XX = +/- 0.15		
F							
E							
D							
C				APPROVAL: JC	UNIT: MM	DESCRIPTION: DISCLAIMER	SIZE A4
B					SCALE:		
A	10-SEP-14	PDF	QL		SHEET: 3/3	WERI PART NO: DISCLAIMER	
REV	DATE	FILE	BY		DRAW: QL		

D

Looking for pricing, stock, or lifecycle information?

Click below to explore more details on WIN SOURCE:

-  [View 61301821121 on WIN SOURCE](#)
-  [Wurth Electronics Inc Information](#)

Optimize Your Supply Chain with WIN SOURCE Solutions

-  Global Sourcing Solution
-  Obsolete Management
-  Cost Control Management
-  Shortage Management
-  Alternative Solution
-  Excess Inventory Management