

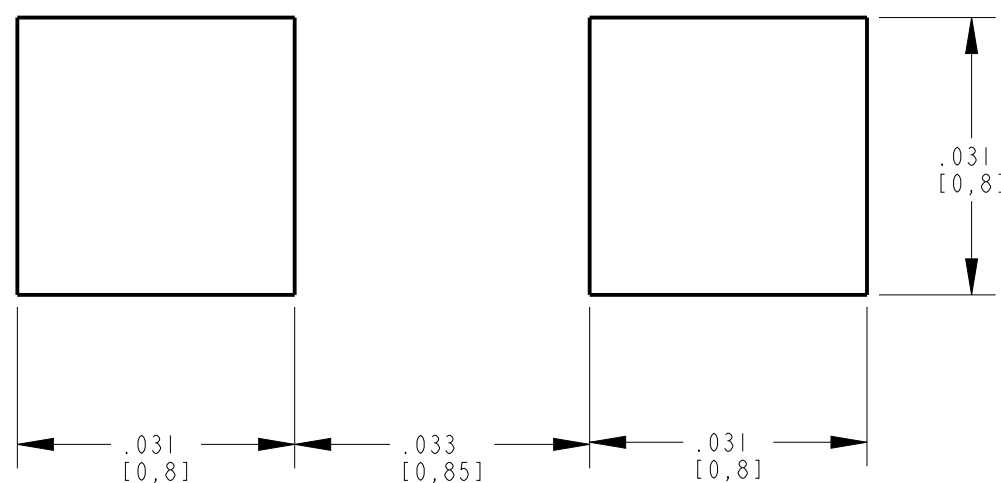
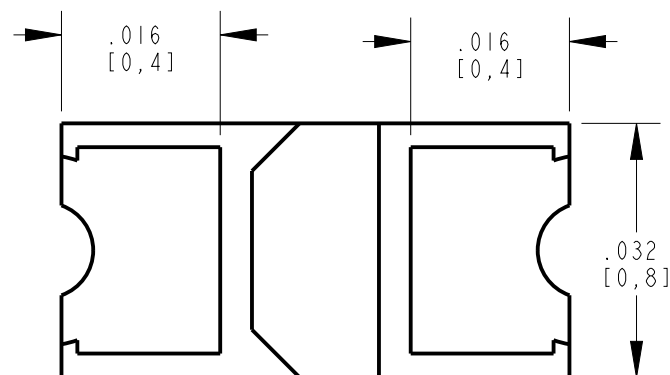
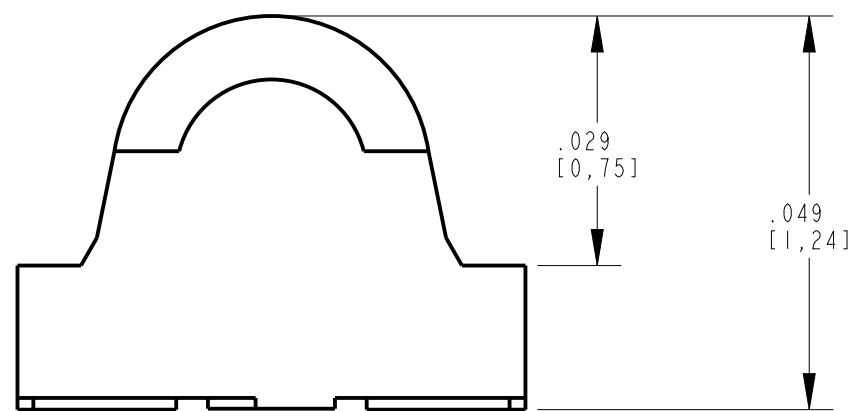
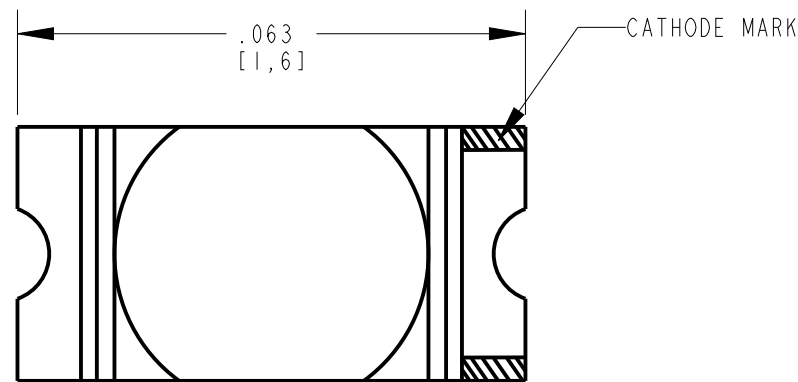


THE DATASHEET OF
5973316507F

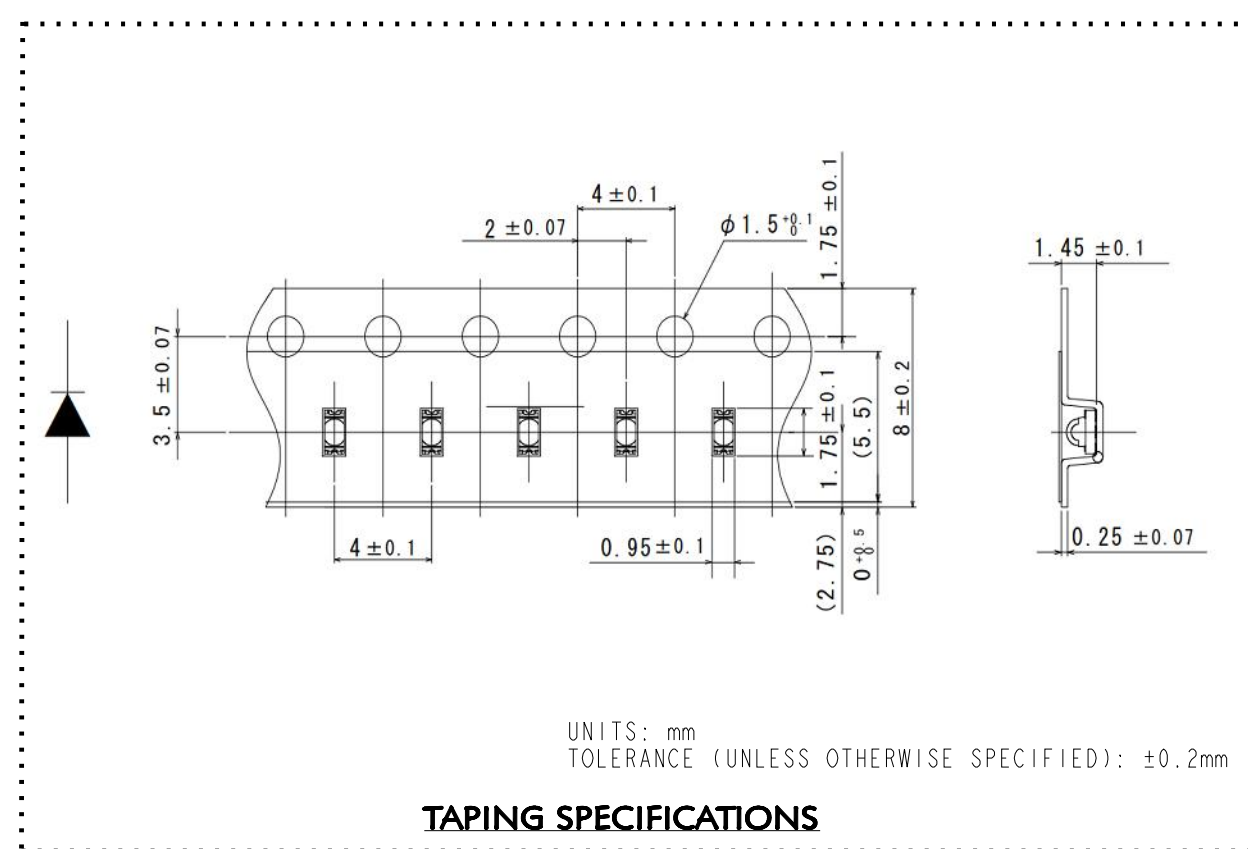


PART NUMBER	LED COLOR
597-3006-502F, 507F	RED (630nm)
597-3036-502F, 507F	RED (620nm)
597-3206-502F, 507F	ORANGE
597-3408-502F, 507F	YELLOW (590nm)
597-3409-502F, 507F	YELLOW (587nm)
597-3506-502F, 507F	YELLOW-GREEN
597-3316-502F, 507F	GREEN (560nm)

REV	REVISIONS	DRN	APP	DATE
A	NEW RELEASE	BP	NO	4-2-18
B	ADDED 60° VIEW ANGLE ON THE TITLE BOX	LD	NO	9-27-18
C	ADDED VIEWING ANGLE	LD	NO	7-24-19

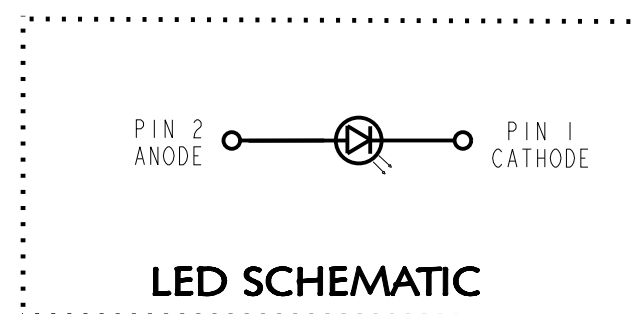


RECOMMENDED SOLDER PAD LAYOUT



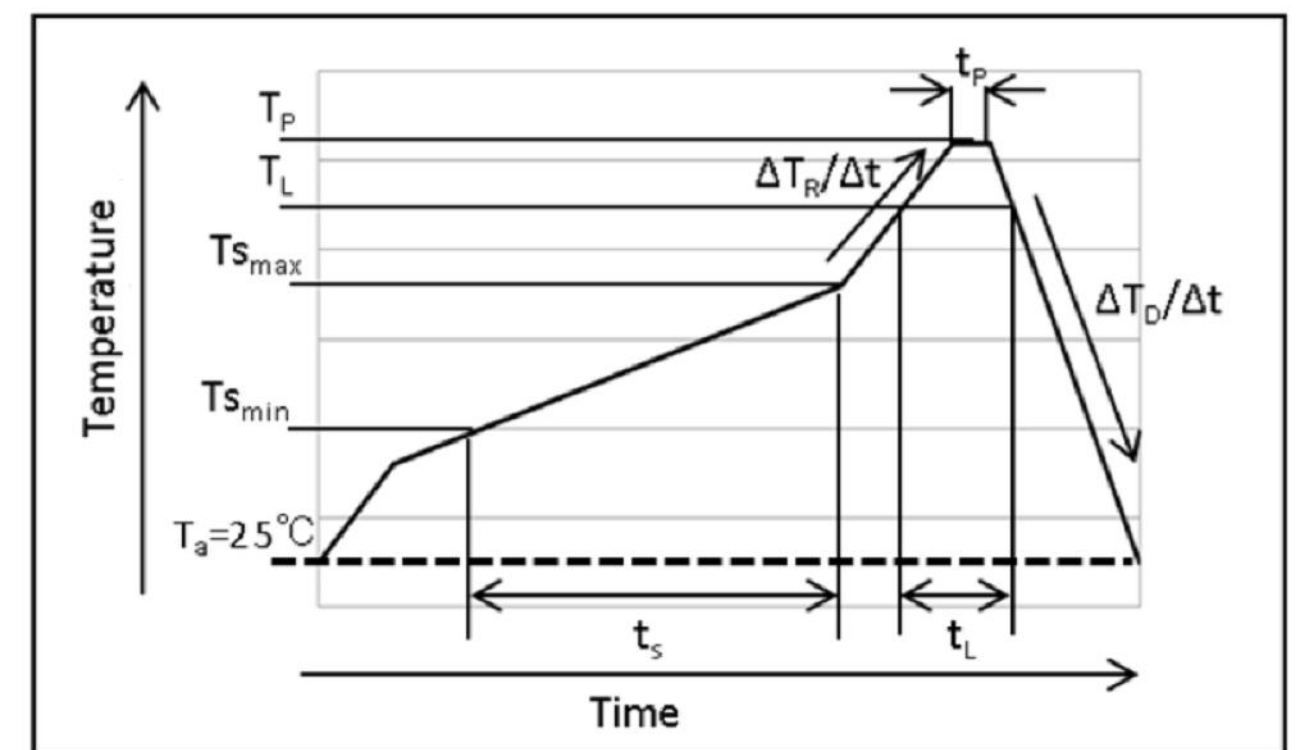
ABSOLUTE MAXIMUM RATINGS AT 25°C						
LED COLOR	POWER DISSIPATION (mW)	FORWARD CURRENT (mA)	PEAK FORWARD CURRENT (mA)	REVERSE VOLTAGE (V)	OPERATING TEMPERATURE (°C)	STORAGE TEMPERATURE (°C)
RED (630nm)	50	20	100	12	-40 TO +100	-40 TO +100
RED (620nm)						
ORANGE						
YELLOW (590nm)						
YELLOW (587nm)						
YELLOW-GREEN						
GREEN						

OPERATING CHARACTERISTICS AT 25°C										
LED COLOR	IF (mA)	LUMINOUS INTENSITY (mcd)			DOMINANT WAVELENGTH (nm)			REVERSE CURRENT (MAX)	FORWARD VOLTAGE (TYP.)	VIEWING ANGLE (degrees) (TYP.)
		MIN.	TYP.	MAX.	MIN.	TYP.	MAX.			
RED (630nm)	20	—	174	—	—	630	—	10 @ VR=12V	2 @ IF=20mA	60
RED (620nm)		—	185	—	—	620	—			
ORANGE		—	405	—	—	605	—			
YELLOW (590nm)		—	320	—	—	590	—			
YELLOW (587nm)		—	290	—	—	587	—			
YLW GREEN		—	140	—	—	571	—			
GREEN	—	34	—	—	560	—				



NOTES:

- DIALIGHT P/N: 597-3XXX-50XF
SUFFIX -502F FOR 20 PCS ON A SAMPLE TAPE STRIP
SUFFIX -507F FOR 7" DIAMETER REEL, PACKAGED 2000 PCS PER REEL.
- LABELING FOR REEL AND OUTSIDE OF ALUMINUM FOIL BAG:
DIALIGHT P/N, QUANTITY PER REEL, DATE CODE, INTENSITY BIN CODE, LOT NUMBER AND COUNTRY OF ORIGIN.
- TAPE AND REEL LEDS MAY REQUIRE RE-TAPING AFTER TWELVE MONTHS.
- ESD WITHSTAND VOLTAGE UP TO 6KV MAX ACC. TO JS-001-2014
- MSL 3



MARK	MEANING	CONDITIONS
T _{s_max}	MAXIMUM OF PRE-HEATING TEMP.	180 °C
T _{s_min}	MINIMUM OF PRE-HEATING TEMP.	140 °C
t _s	TIME FROM T _{s_min} TO T _{s_max}	OVER 60 sec.
T _L	REFERENCE TEMP	230-260 °C
t _L	RETENTION TIME FOR T _L	WITHIN 40 sec.
T _P	PEAK TEMP	260 °C (MAX)
t _P	TIME FOR PEAK TEMP	WITHIN 10 sec.
ΔT _R /Δt	TEMP. RISING RATE	UNDER 3°C/sec.
ΔT _D /Δt	TEMP. DECREASING RATE	OVER -3°C/sec.

RECOMMENDED RoHS SOLDER PROFILE

THIS DRAWING AND THE CONTENTS HEREIN ARE CONFIDENTIAL AND THE SOLE PROPERTY OF DIALIGHT CORP. REPRODUCTION OF THIS DRAWING OR CONSTRUCTION OF ANY PARTS WITHIN THIS DRAWING ARE FORBIDDEN WITHOUT THE WRITTEN CONSENT OF DIALIGHT CORP.		
DIALIGHT CORP. INTERNAL REFERENCE ONLY = 3D MODEL = 597506507F-0		
SCALE: 25.000	DRAWING NUMBER	REV
ALL DIM'S IN: INCHES (MM)	C-18371	C
TOLERANCES: UNLESS OTHERWISE SPECIFIED	TITLE	
FRACTIONS: ±1/64	SM LED 0603 PACKAGE, 60° VIEW ANGLE	
DECIMALS (.XX): ±.01	MATERIAL	
DECIMALS (.XXX): ±.005		
DECIMALS (.XXXX): ±.0005		
ANGLES: ±1°		
FINISH	Dialight	
FSCM 83330	1501 ROUTE 34 SOUTH FARMINGDALE, NJ 07727 (732) 919-3119 www.dialight.com	
SHEET 1 OF 1	FAMILY TABLE:	



ATTENTION:
OBSERVE PRECAUTIONS FOR
HANDLING ELECTROSTATIC
SENSITIVE DEVICES

Looking for pricing, stock, or lifecycle information?

Click below to explore more details on WIN SOURCE:

 [View 5973316507F on WIN SOURCE](#)

 [Dialight Information](#)

Optimize Your Supply Chain with WIN SOURCE Solutions

-  Global Sourcing Solution
-  Obsolete Management
-  Cost Control Management
-  Shortage Management
-  Alternative Solution
-  Excess Inventory Management