



**THE DATASHEET OF**  
**5953398-1**

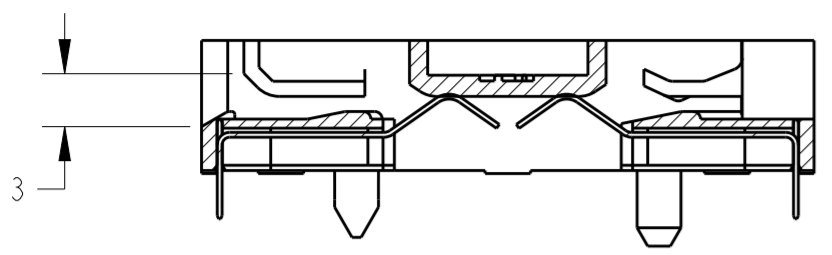


THIS DRAWING IS UNPUBLISHED. RELEASED FOR PUBLICATION  
 © COPYRIGHT - ALL RIGHTS RESERVED.

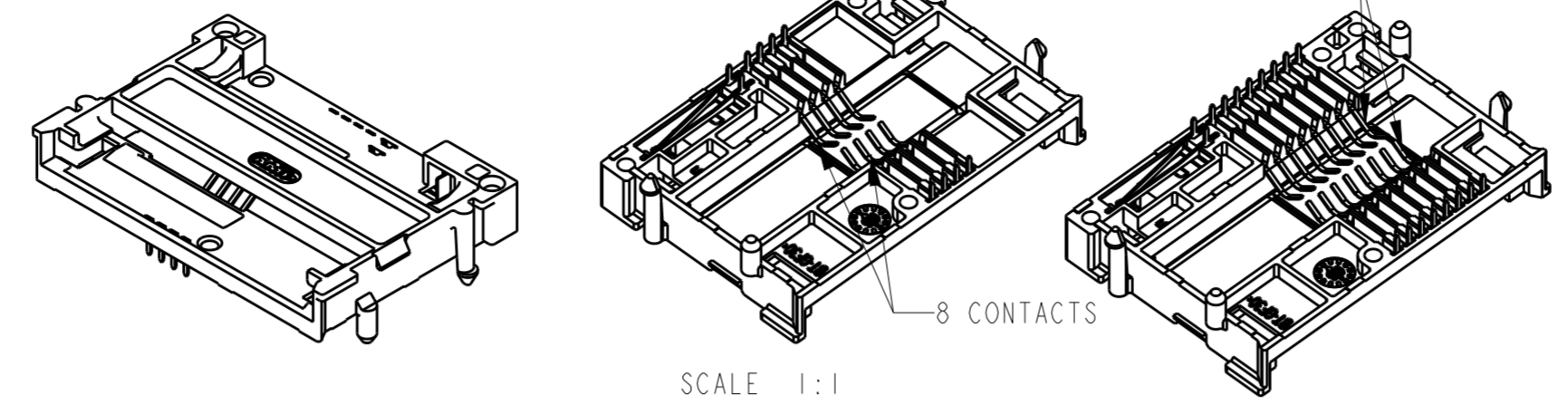
PN 5953398-1

PN 5953398-2

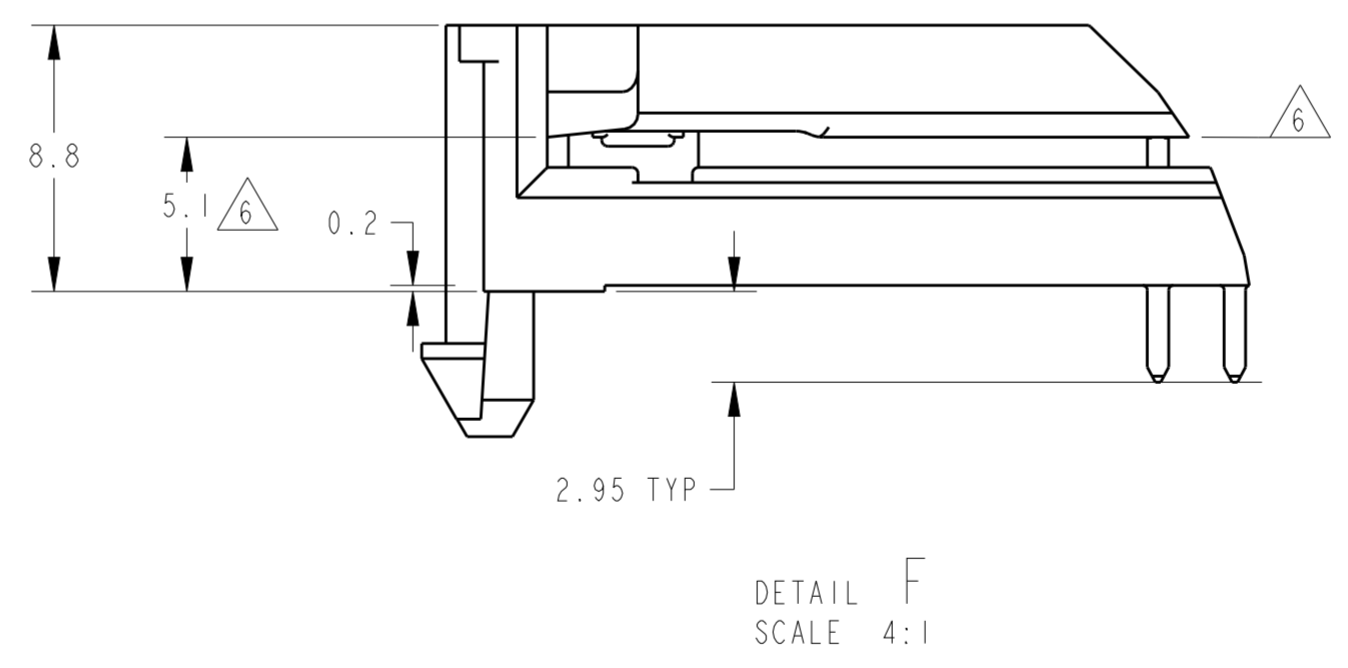
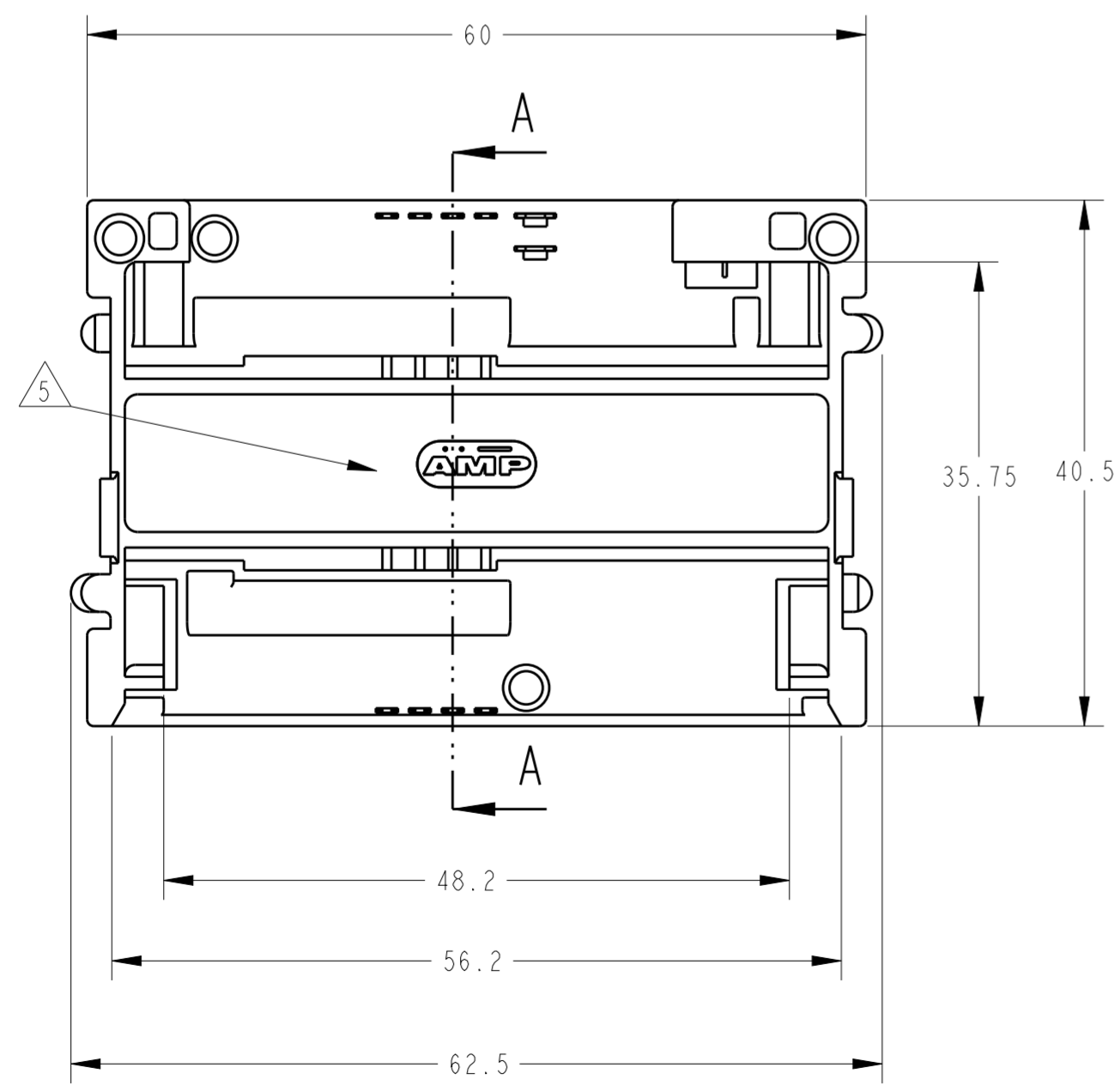
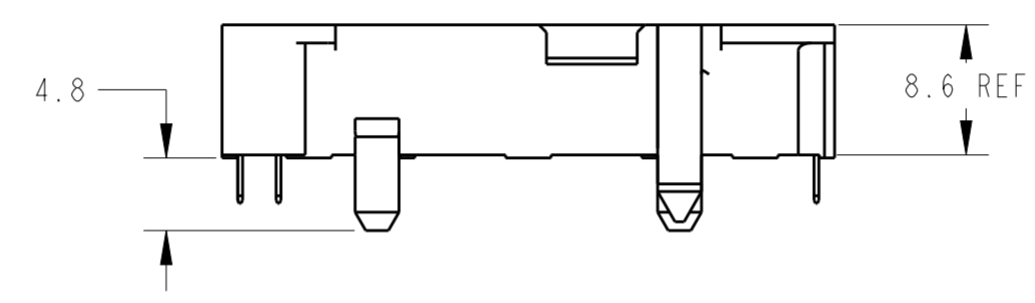
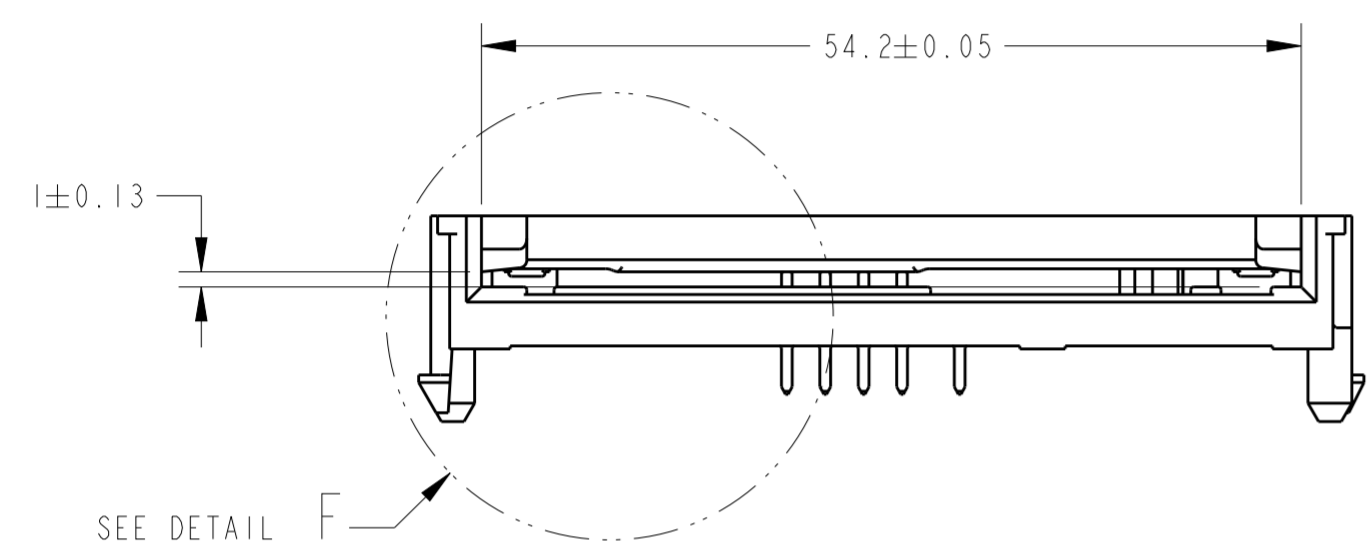
LOC		DIST		REVISIONS			
P	LTR	DESCRIPTION	DATE	DWN	APVD		
D		ECR-11-025634	20DEC2011	GG	RRP		
DI		REVISED PER ECR-19-006701	26APR2019	R.Z	S.L		



SECTION A-A



SCALE 1:1



DETAIL F  
SCALE 4:1

NOTES:

CONTACTS PLATING :

- 1 OVERALL: Ni 2µm MIN, ALL OVER THE CONTACTS.  
SOLDER ZONE: Sn 2.5µm MIN ON THE SOLDER ZONE OF THE CONTACTS.  
MATING ZONE: PLATING CONFIRMS TO PRODUCT REQUIREMENTS AS PER SPECIFICATION 108-15202.

MATERIAL :

- 2 HOUSING: PBT-GF, BLACK UL 94V0.  
CONTACTS: PHOSPHOR BRONZE.
- 3 TE SMART CARD RECEPTACLE DESIGNED TO ACCEPT ISO 7810-7816 TYPE INTEGRATED CIRCUIT SMART CARDS (0.76MM REF. THICKNESS) SEE SHEET 2/2
- 4 8 POSITIONS 5953398-1 SHOWN ON DRAWING
- 5 LOGO SHAPE AND POSITION VARY DEPENDING ON MOLD CAVITY NUMBER.
- 6 DIMENSION APPLICABLE IN CARD CONTACT AREA ONLY SURFACE VARY DEPENDING ON MOLD CAVITY NUMBER

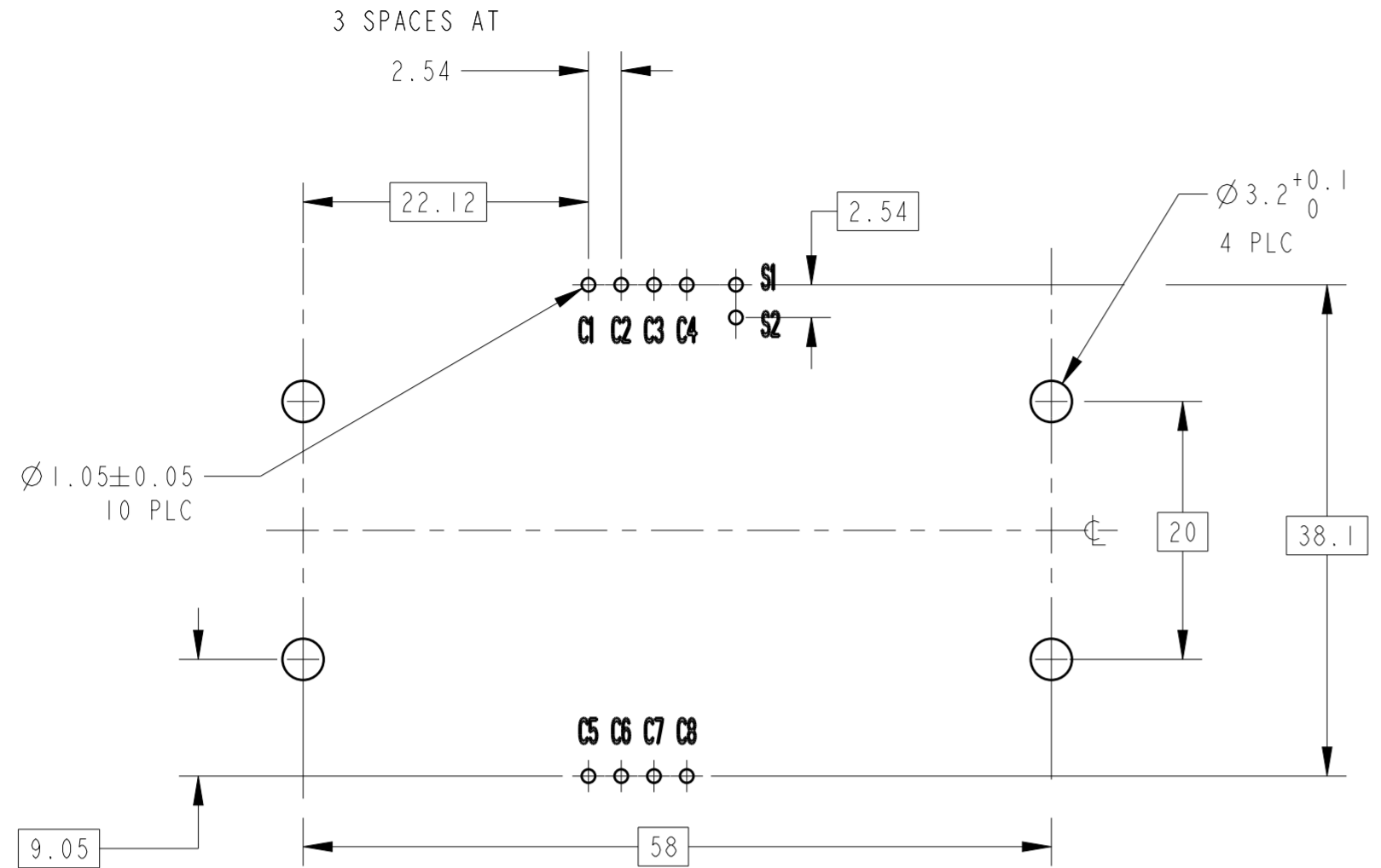
**OBSELETE**

PartNumber : 5953398-1	8 POSITIONS ISO 7816
PartNumber : 5953398-2	16 POSITIONS ISO / CP8 AFNOR

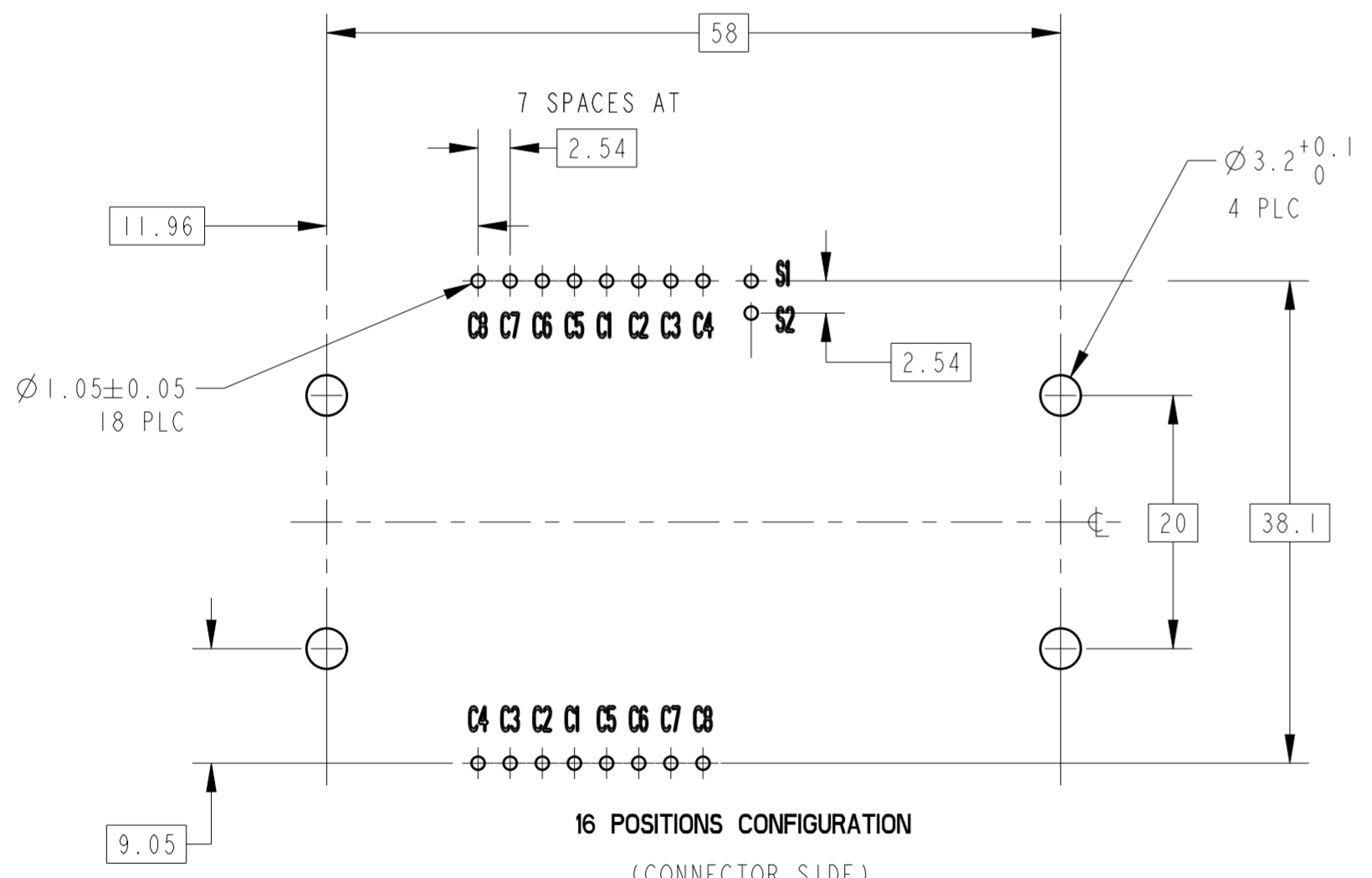
THIS DRAWING IS A CONTROLLED DOCUMENT.		DWN R. Coolen 16 Dec 04	TE Connectivity	
DIMENSIONS: mm		CHK W. Jansen		
TOLERANCES UNLESS OTHERWISE SPECIFIED:		APVD P. Jaeger	NAME SMART CARD READER 0.76 PCB MOUNT THROUGH HOLE, LOW PROFILE BLADE SWITCH NORMALLY CLOSED	
0 PLC ±0,5 1 PLC ±0,3 2 PLC ±0,13 3 PLC ± 4 PLC ±		PRODUCT SPEC 108-15202	SIZE A2	
MATERIAL 2		APPLICATION SPEC -	CAGE CODE G-5953398	
ANGLES FINISH 1		WEIGHT 8,5/9 g	DRAWING NO 5953398	
CUSTOMER DRAWING		SCALE 1:1	RESTRICTED TO -	
		SHEET 1	OF 2	
		REV DI		

THIS DRAWING IS UNPUBLISHED. RELEASED FOR PUBLICATION  
 © COPYRIGHT - ALL RIGHTS RESERVED.

LOC	DIST	REVISIONS			
P	LTR	DESCRIPTION	DATE	DWN	APVD
IR	-	SEE SHEET 1	-	-	-



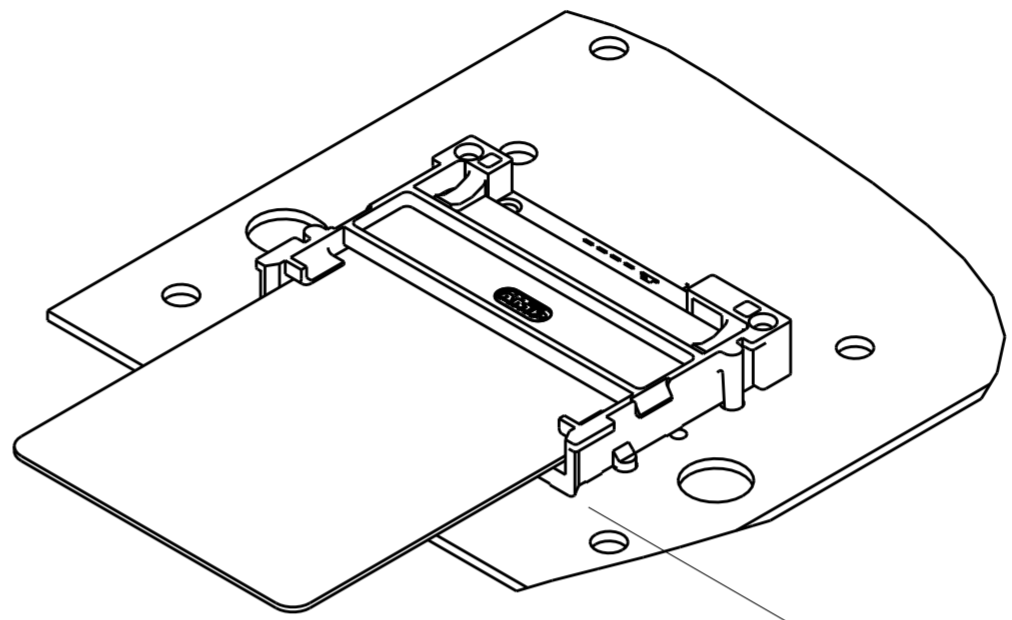
8 POSITIONS CONFIGURATION  
 (CONNECTOR SIDE)  
 SCALE 2:1



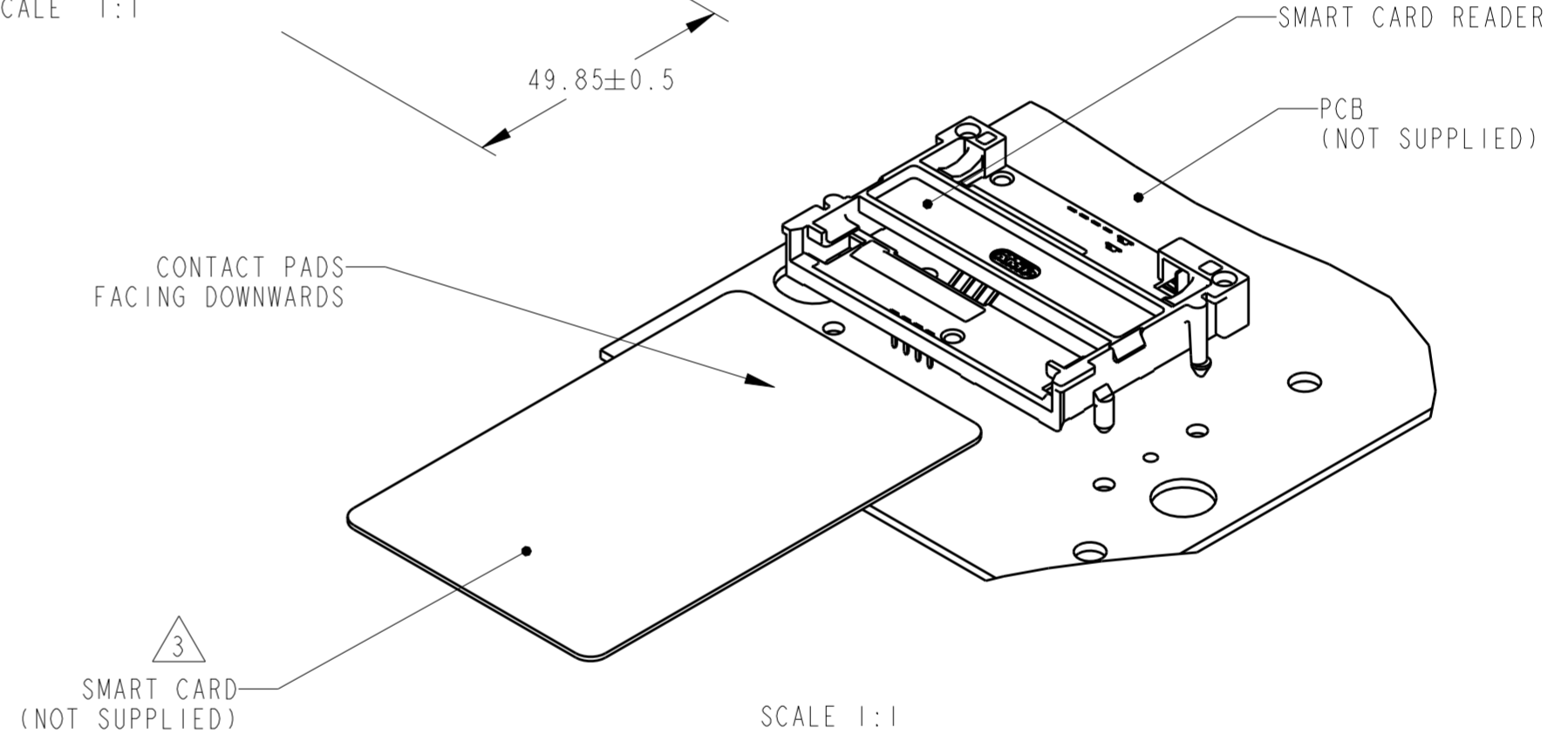
16 POSITIONS CONFIGURATION  
 (CONNECTOR SIDE)

POSITION TOLERANCE FOR ALL HOLES  $\text{⊕} \text{⌀} 0.1$   
 PCB BOARD THICKNESS  $1.57 \pm 0.1$  (.062)

RECOMMENDED PCB LAYOUT



SCALE 1:1



SCALE 1:1

PCB MOUNTING CONFIGURATION

THIS DRAWING IS A CONTROLLED DOCUMENT.		DWN R. Coolen 16 Dec 04	TE Connectivity	
DIMENSIONS: mm		CHK W. Jansen		
TOLERANCES UNLESS OTHERWISE SPECIFIED:		APVD P. Jaeger	NAME SMART CARD READER 0.76	
0 PLC ±0.5	1 PLC ±0.3	PRODUCT SPEC 108-15202	PCB MOUNT THROUGH HOLE, LOW PROFILE	
2 PLC ±0.13	3 PLC ±	APPLICATION SPEC	BLADE SWITCH NORMALLY CLOSED	
4 PLC ±	ANGLES ±	WEIGHT 8,5/9 g	SIZE A2	CAGE CODE C-5953398
MATERIAL	FINISH	CUSTOMER DRAWING	SCALE 1:1	SHEET 2 OF 2

## Looking for pricing, stock, or lifecycle information?

Click below to explore more details on WIN SOURCE:

 [View 5953398-1](#) on WIN SOURCE

 [TE Connectivity](#) Information

## Optimize Your Supply Chain with WIN SOURCE Solutions

-  Global Sourcing Solution
-  Obsolete Management
-  Cost Control Management
-  Shortage Management
-  Alternative Solution
-  Excess Inventory Management