



THE DATASHEET OF
579302B00000G



Board Level Cooling – Snap Down 5700



BOARD LEVEL COOLING - Snap Down 5700

Snap Down 5700 is a series of snap on board level heat sinks designed to cool TO-220 and TO-220-single gauge devices. Representative image only.

ORDERING INFORMATION

Part Number	Device Type
575102B00000G	TO-220, TO-220-single gauge
579302B00000G	TO-220
579402B00000G	TO-220, TO-220-single gauge



HEAT SINK DETAILS

Property	Details
Material	Aluminum
Finish	Black Anodize
Device Attachment Options	Integrated Mounting Clip
Thermal Interface Material	-

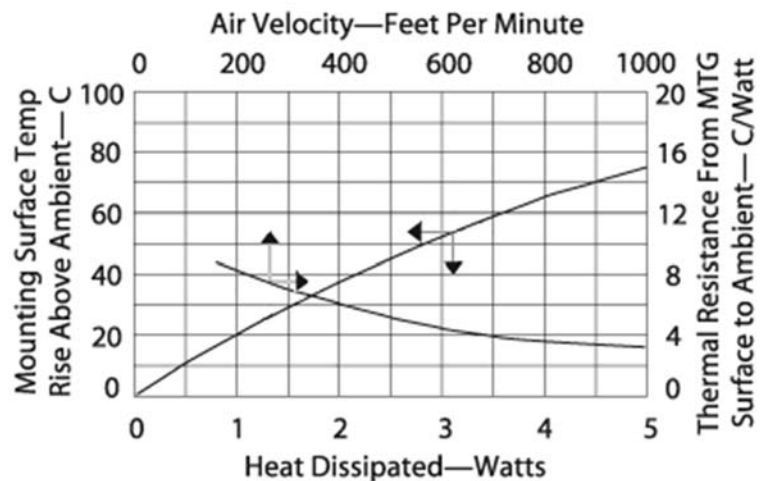
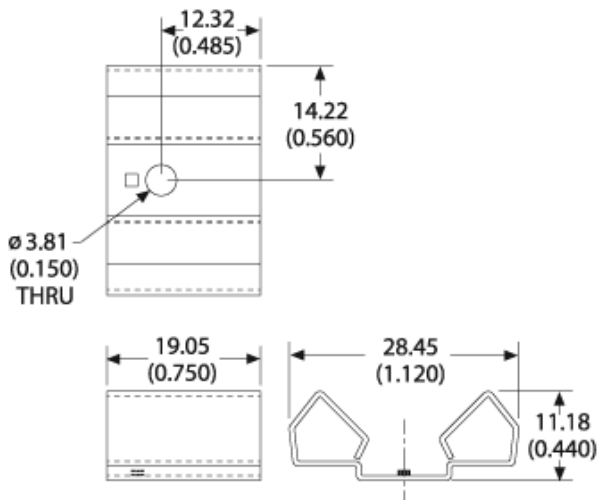
Property	Details
Heat Sink Length (mm)	11.18
Heat Sink Height (mm)	19.05
Heat Sink Mounting Direction	Horizontal, Vertical

MECHANICAL & PERFORMANCE

Drawing dimensions are shown in mm, (in)

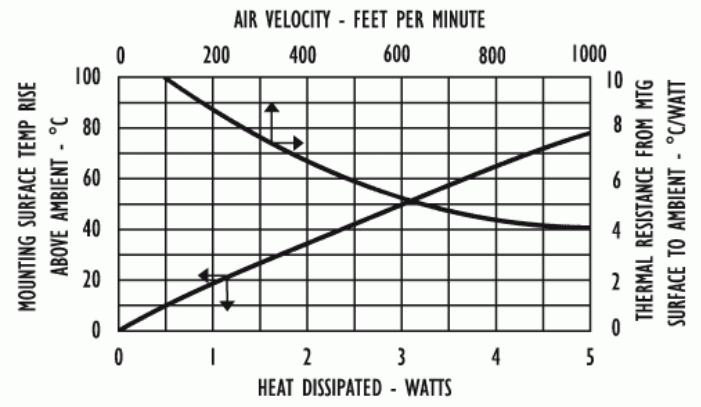
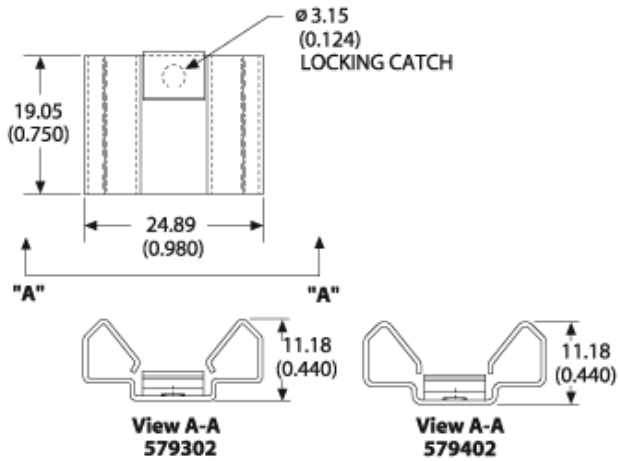
Part Number	Heat Sink Width
575102B00000G	28.45
579302B00000G	24.89
579402B00000G	24.89

Part Number: 575102B00000G



Board Level Cooling – Snap Down 5700

Part Number: 579302B00000G,
579402B00000G



Mouser Electronics

Authorized Distributor

Click to View Pricing, Inventory, Delivery & Lifecycle Information:

[Aavid:](#)

[579302B00000G](#) [579402B00000G](#) [575102B00000G](#)

Looking for pricing, stock, or lifecycle information?

Click below to explore more details on WIN SOURCE:

 [View 579302B00000G](#) on WIN SOURCE

 [Aavid Thermalloy](#) Information

Optimize Your Supply Chain with WIN SOURCE Solutions

-  Global Sourcing Solution
-  Obsolete Management
-  Cost Control Management
-  Shortage Management
-  Alternative Solution
-  Excess Inventory Management