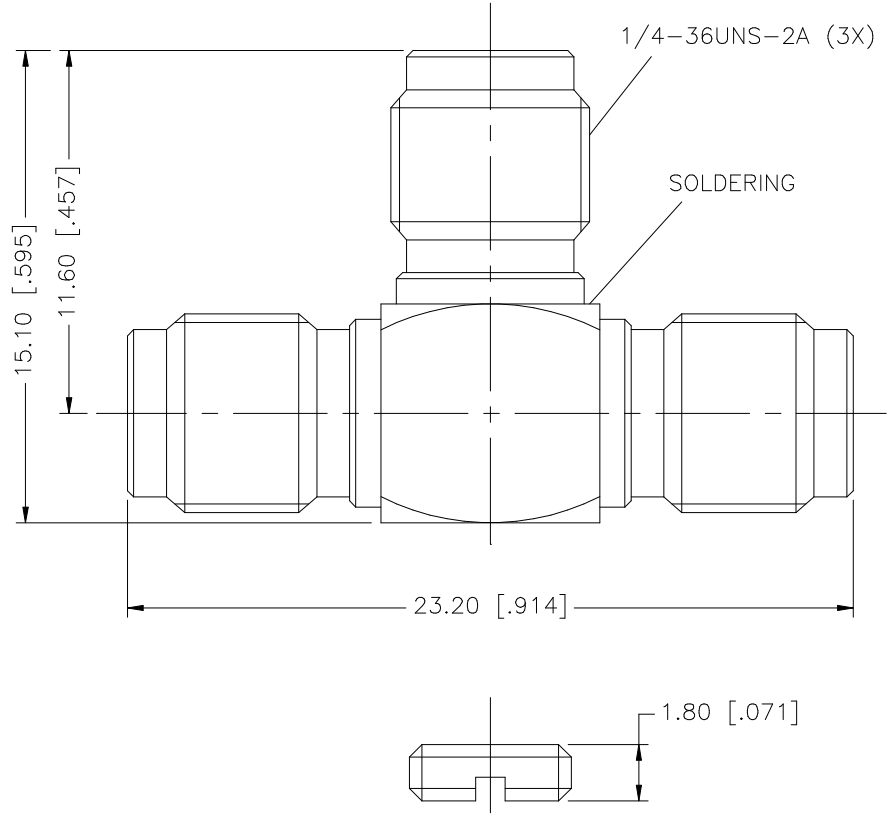




THE DATASHEET OF
132216



REV.	DATE	DESCRIPTION
NC	12/08/97	INITIAL RELEASE
A	09/24/06	UPDATE DRAWING FORMAT



8				
7				
6				
5				
4				
3	CONTACT PIN	BER. COPPER	GOLD	3
2	INSULATOR	TEFLON	NATURAL	1
1	BODY	BRASS	GOLD	1
	DESCRIPTION	MATERIAL	FINISH	QTY

UNLESS OTHERWISE SPECIFIED DIMENSIONS ARE IN MILLIMETERS. DIMENSIONS IN [] ARE IN INCHES AND FOR CUSTOMER REFERENCE ONLY.

UNLESS OTHERWISE SPECIFIED TOLERANCES FOR MILLIMETERS ARE:
0.5 - 8mm ± 0.20mm
8 - 30mm ± 0.40mm
30 - 120mm ± 0.50mm

UNLESS OTHERWISE SPECIFIED TOLERANCES FOR INCHES ARE:
.020 - .315 = ± 0.007"
.315 - 1.180 = ± 0.015"
1.180 - 4.724 = ± 0.020"


DO NOT SCALE DRAWING

APPROVALS	DATE
DRAWN G.R.S.	09/24/06
CHECKED	
ISSUED	
SHEET 1 OF 1	
CAD FILE	
C:/132/132216.DWG	

Amphenol Connex			
PART DESCRIPTION			
SMA "T" ADAPTER JACK-JACK-JACK			
-			
PART NO.			
132216			
DWG. NO.	132216.DWG	REV.	A
SIZE	A	SCALE	NA

Looking for pricing, stock, or lifecycle information?

Click below to explore more details on WIN SOURCE:

 [View 132216](#) on WIN SOURCE

 [Amphenol](#) Information

Optimize Your Supply Chain with WIN SOURCE Solutions

-  Global Sourcing Solution
-  Obsolete Management
-  Cost Control Management
-  Shortage Management
-  Alternative Solution
-  Excess Inventory Management