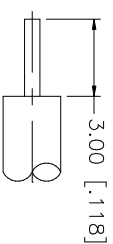
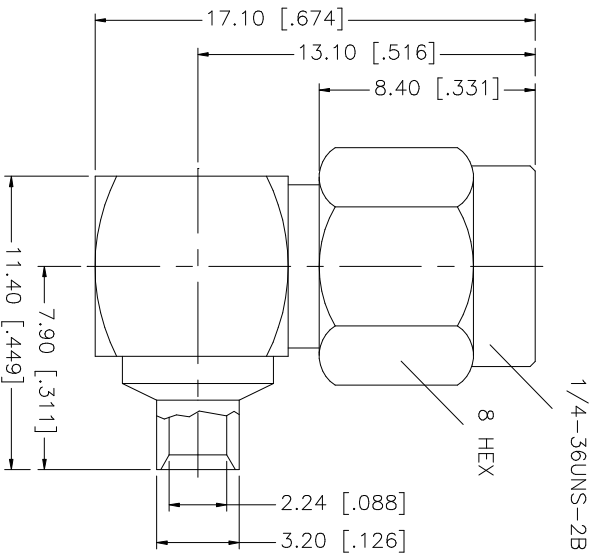




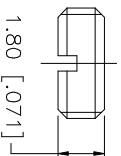
THE DATASHEET OF
132111



REV.	DATE	DESCRIPTION
NC	01/29/03	INITIAL RELEASE



RECOMMENDED
CABLE STRIPPING DIM'S



MATERIAL		FINISH	QTY	DO NOT SCALE DRAWING	
BRASS	GOLD		1	UNLESS OTHERWISE SPECIFIED DIMENSIONS ARE IN MILLIMETERS. DIMENSIONS IN [] ARE IN INCHES AND FOR CUSTOMER REFERENCE ONLY.	
SILICONE	RED		1	UNLESS OTHERWISE SPECIFIED TOLERANCES FOR MILLIMETERS ARE:	
2. COPPER	NATURAL		1	0.5 - 8mm ± 0.20mm	
BRASS	GOLD		1	8 - 30mm ± 0.40mm	
TEFLON	NATURAL		1	30 - 120mm ± 0.50mm	
BRASS	GOLD		1	UNLESS OTHERWISE SPECIFIED TOLERANCES FOR INCHES ARE:	
BRASS	GOLD		1	.020 - .315 = ± 0.007"	
BRASS	GOLD		1	.315 - 1.180 = ± 0.015"	
BRASS	GOLD		1	1.180 - 4.724 = ± 0.020"	

APPROVALS	DATE
DRAWN G.R.S.	01/29/03
CHECKED	
ISSUED	
SHEET 1 OF 1	


CAD FILE	DWG. NO.	REV.	NC	SIZE	SCALE
C:/132/132111.DWG	132111.DWG			A	NA

PART NO.	PART DESCRIPTION
132111	SMA R/A DIRECT SOLDER PLUG (FOR .085", .086" CABLE)

Amphenol Connex

Looking for pricing, stock, or lifecycle information?

Click below to explore more details on WIN SOURCE:

 [View 132111 on WIN SOURCE](#)

 [Amphenol Information](#)

Optimize Your Supply Chain with WIN SOURCE Solutions

-  Global Sourcing Solution
-  Obsolete Management
-  Cost Control Management
-  Shortage Management
-  Alternative Solution
-  Excess Inventory Management