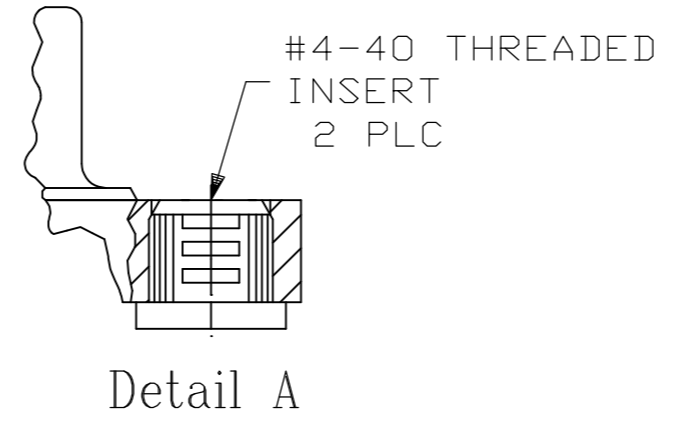
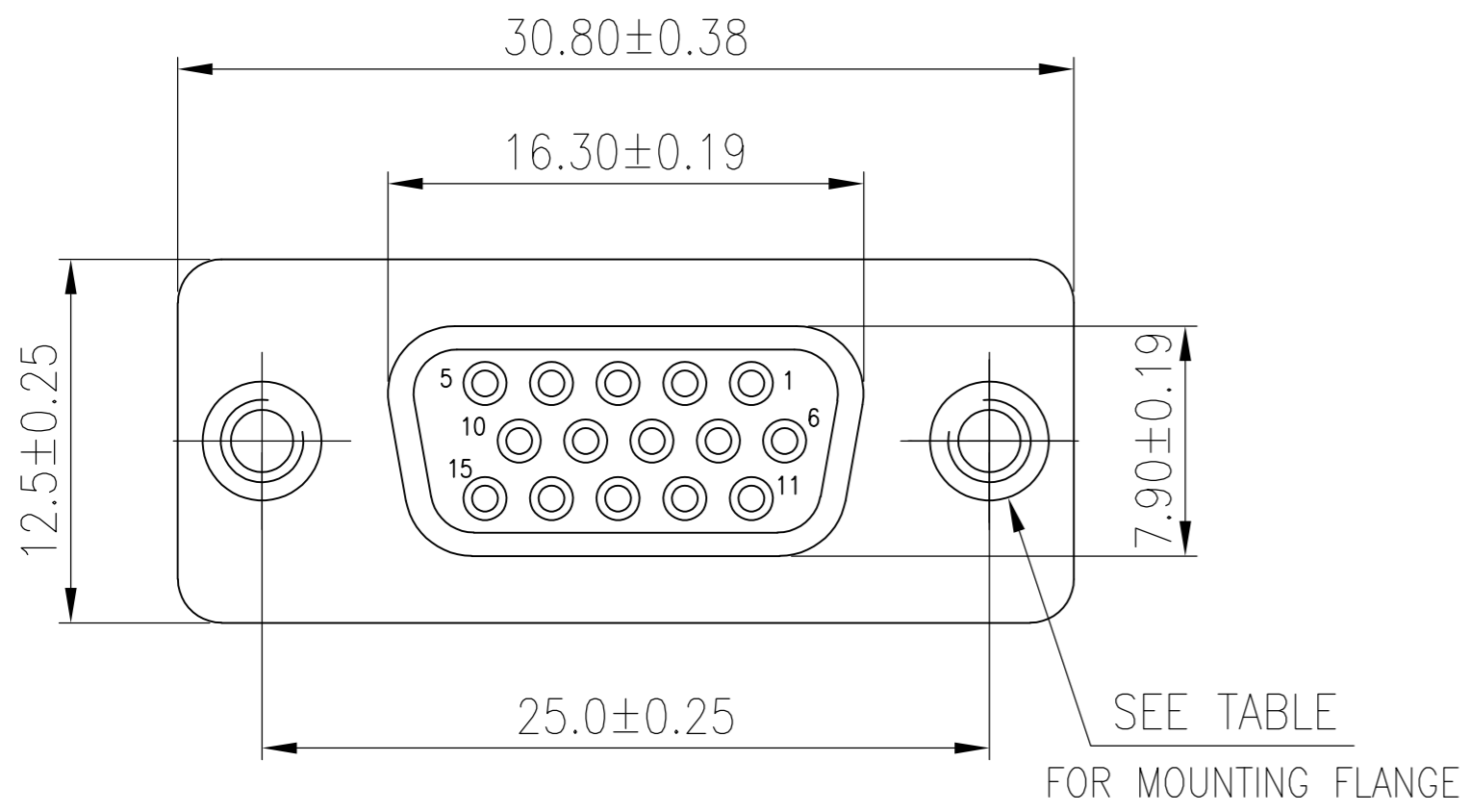
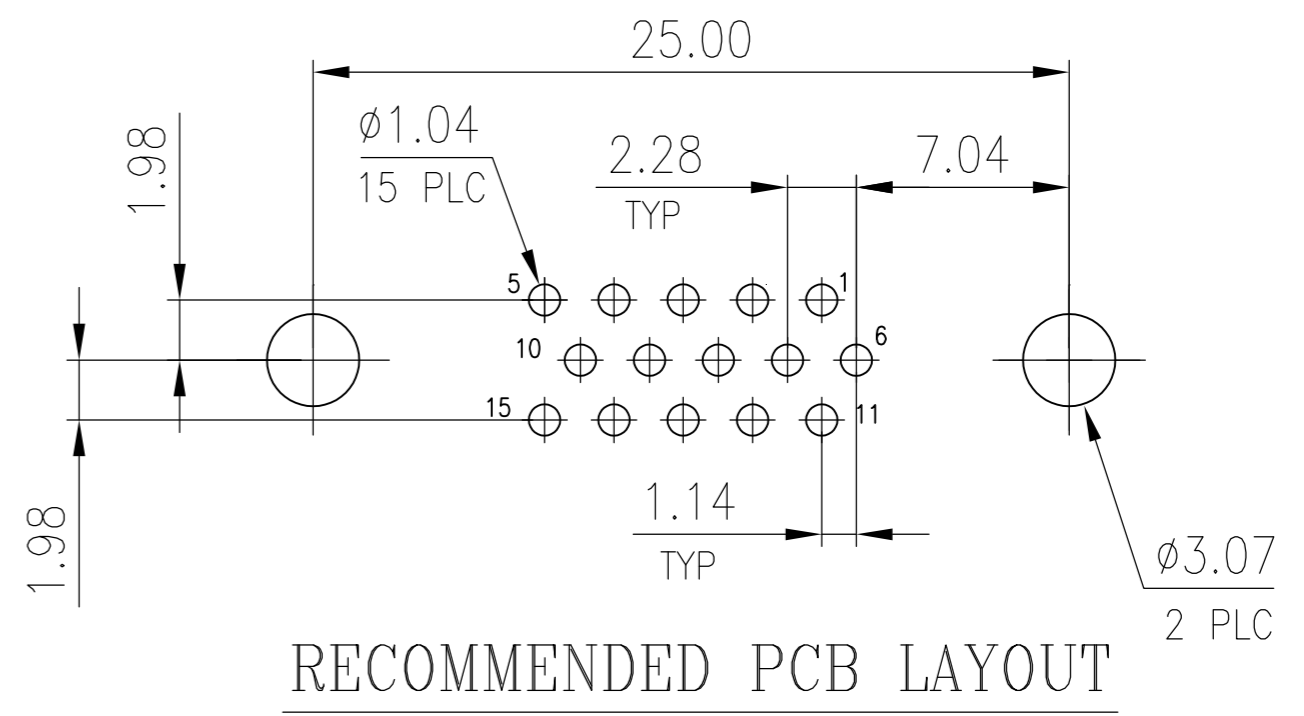
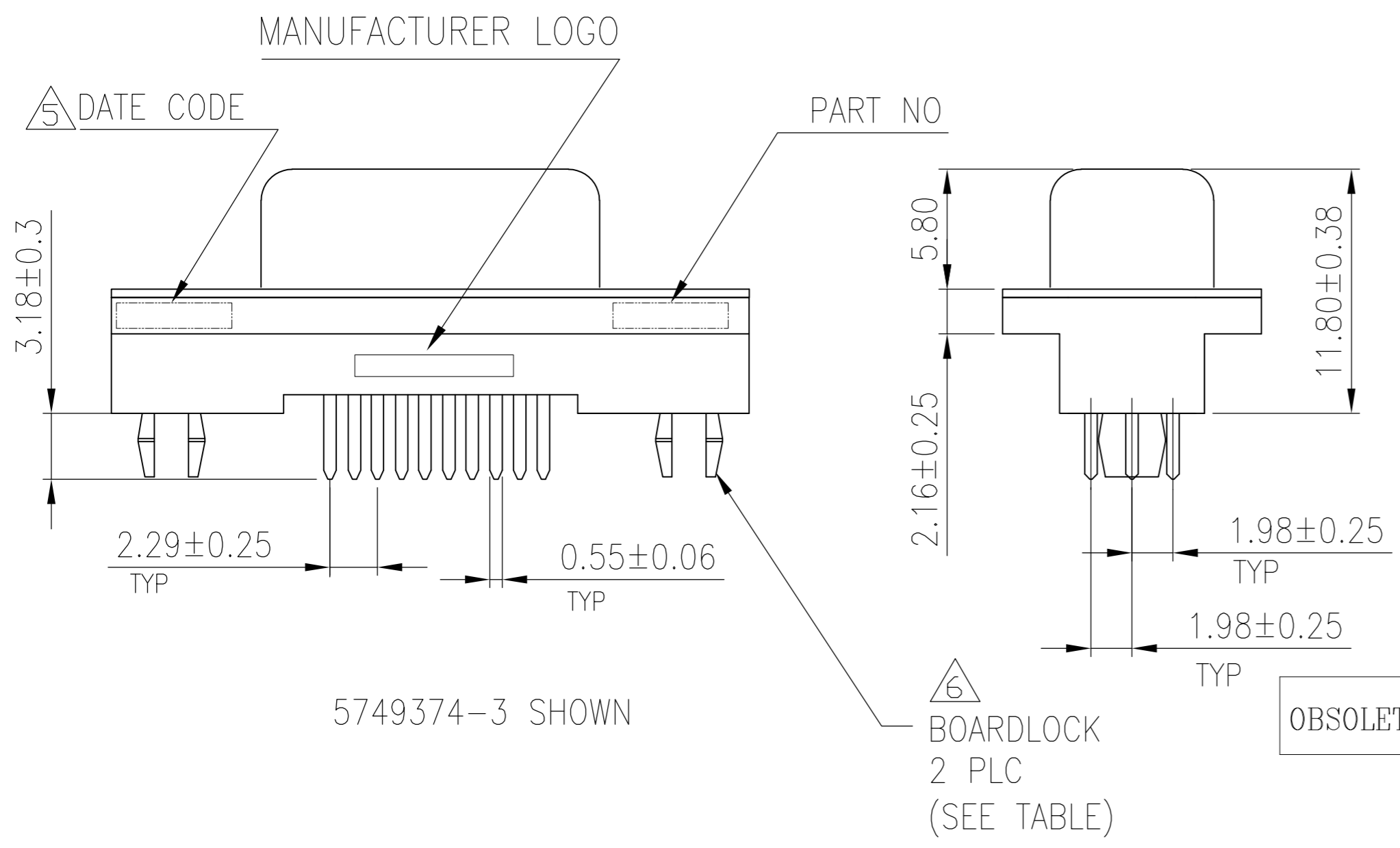




LOC		DIST		REVISIONS			
GP	00	P	LTR	DESCRIPTION	DATE	DWN	APVD
		C1		REVISED PER ECO-11-004835	11MAR11	RK	HMR



- HOUSING: PBT, 30% GF POLYESTER, UL 94V-0 RATED, COLOR BLACK.
  - CONTACTS: PHOSPHOR BRONZE, GOLD PLATE IN MATING AREA (SEE TABLE), 120μ" MIN TIN PLATE ON SOLDER TAIL, BOTH OVER 50μ" MIN NICKEL UNDERPLATE.
  - SHELL: STEEL, NICKEL PLATE.
  - THREADED INSERTS AND BOARDLOCKS: BRASS, 30μ" MIN NICKEL PLATE (-1 & -7); 100μ" MIN TIN PLATE OVER 50μ" MIN NICKEL UNDERPLATE (-3).
- △5 FOUR DIGIT DATE CODE IN THIS FORMAT.  
 01 45  
 YEAR                      MANUFACTURING WEEK
- △6 MAXIMUM SHAFT LENGTH OF SCREWLOCK TO ALLOW THE SCREWLOCK HEAD TO SIT FLAT ON S-SUB IS 4.70. RECOMMENDED TE CONNECTIVITY SCREWLOCK IS 5747877-3.



OBSOLETE	No	Tray	Detail A	15 μ" MIN GOLD	5749374-7
	Yes	Tray	Detail A	30 μ" MIN GOLD	△6 5749374-3
	No	Tray	Detail A	30 μ" MIN GOLD	5749374-1
BOARDLOCK		Packaging	Mounting Flange Config	Contact Mating Area Finish	Part No

THIS DRAWING IS A CONTROLLED DOCUMENT.

DWN	R.RICHARDSON	31MAY05
CHK	S.BOLASH	31MAY05
APVD	M.WALMSLEY	31MAY05

TE Connectivity

NAME: AMPLIMITE HD-22  
 15 POS RECEPTACLE, VERTICAL

SIZE	A2	CAGE CODE	00779	DRAWING NO	C=5749374	RESTRICTED TO	-
SCALE	1:1	SHEET	1 OF 1	REV	C1		

CUSTOMER DRAWING

## Looking for pricing, stock, or lifecycle information?

Click below to explore more details on WIN SOURCE:

 [View 5749374-3 on WIN SOURCE](#)

 [TE Connectivity](#) Information

## Optimize Your Supply Chain with WIN SOURCE Solutions

-  Global Sourcing Solution
-  Obsolete Management
-  Cost Control Management
-  Shortage Management
-  Alternative Solution
-  Excess Inventory Management