

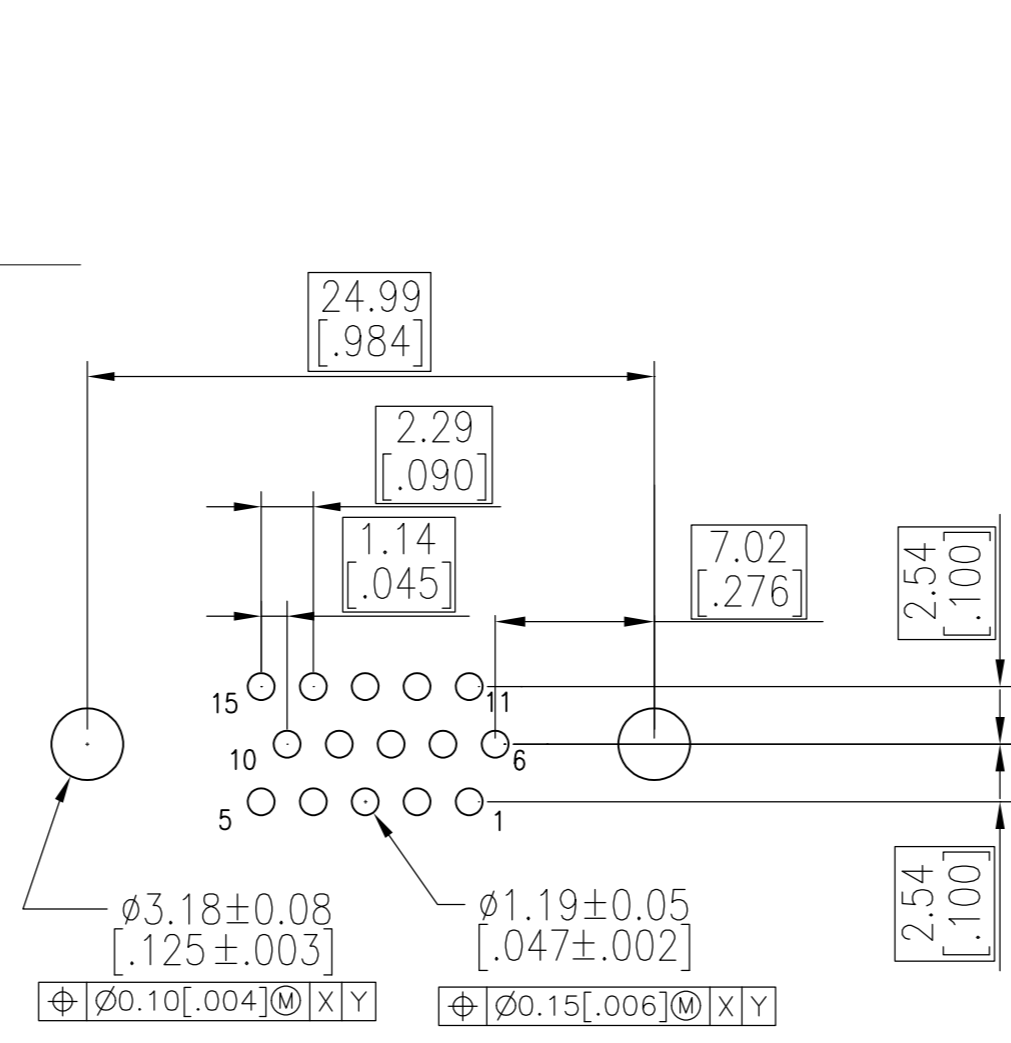
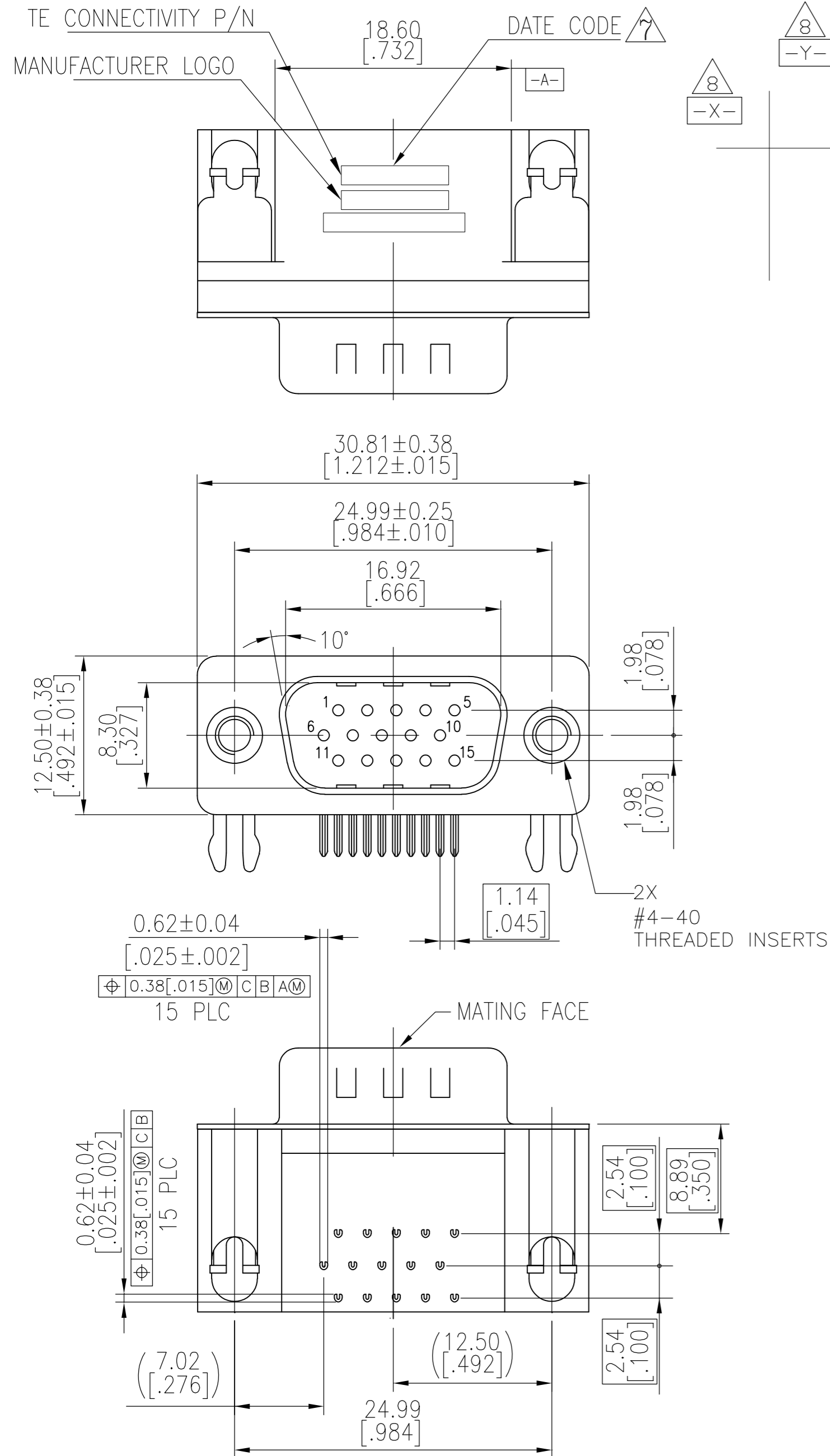


**THE DATASHEET OF**  
**5749767-1**

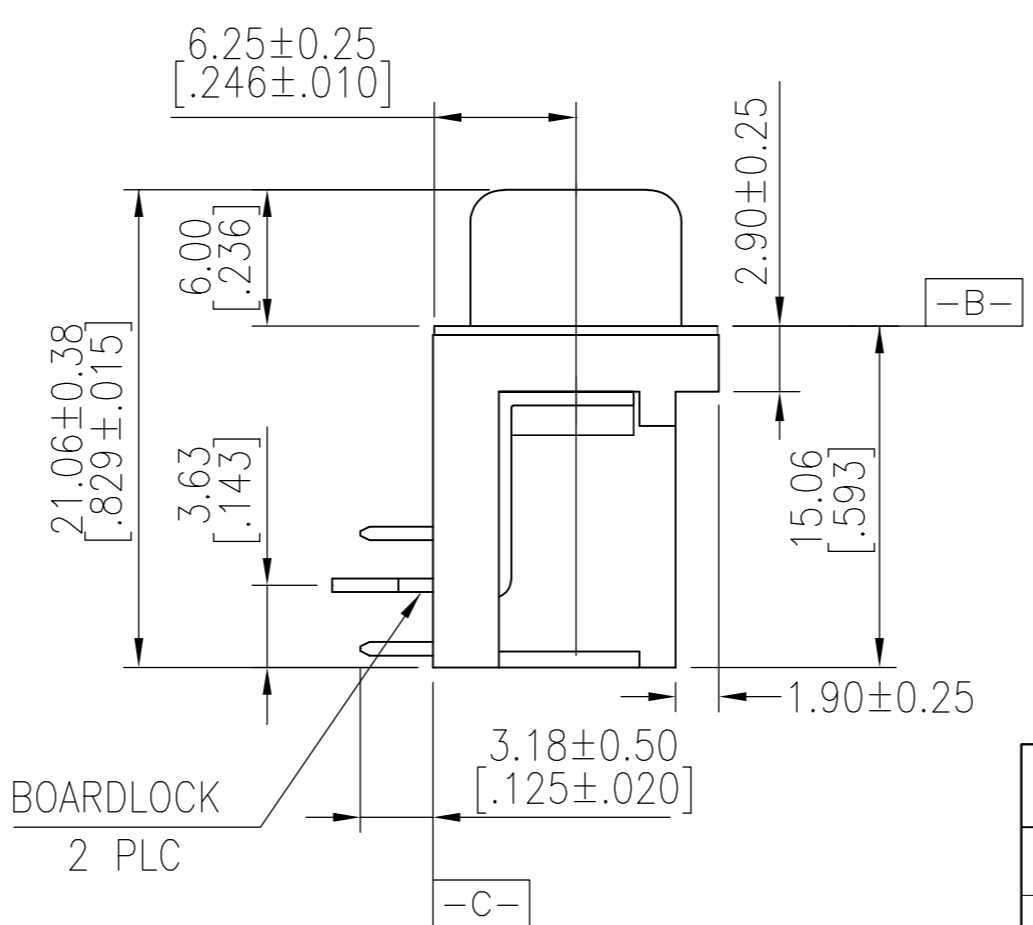


THIS DRAWING IS UNPUBLISHED. RELEASED FOR PUBLICATION  
 © COPYRIGHT - By - ALL RIGHTS RESERVED.

REVISIONS					
P	LTR	DESCRIPTION	DATE	DWN	APVD
E		REVISED PER ECO-15-011151	24JUN2016	AP	DG



RECOMMENDED PCB LAYOUT



- HOUSING MATERIAL: PBT, GLASS FILLED, BLACK, UL 94V-0 RATED.
- CONTACT MATERIAL: BRASS.
- CONTACT FINISH: GOLD PLATE IN MATING AREA (SEE TABLE), 120 $\mu$  MIN TIN PLATE ON SOLDER TAIL, BOTH OVER 50 $\mu$  MIN NICKEL UNDERPLATE.
- SHELL: STEEL, NICKEL PLATE.
- BOARDLOCK: BRASS, 100 $\mu$  MIN TIN PLATE.
- THREADED INSERTS: BRASS, NICKEL PLATE.

$\triangle 7$  FOUR DIGIT DATE CODE IN THIS FORMAT.  
 Year 01 45 Manufacturing Week

$\triangle 8$  DATUMS  $\square -X-$  &  $\square -Y-$  TO BE ESTABLISHED BY CUSTOMER.

OBSOLETE	Gold Flash	5749767-3
OBSOLETE	15 $\mu$ MIN	<del>5749767-2</del>
	30 $\mu$ MIN	5749767-1
	CONTACT MATING AREA FINISH	PART NUMBER

THIS DRAWING IS A CONTROLLED DOCUMENT.		DWN J.GERACE 22FEB06		
DIMENSIONS: mm [INCHES]		CHK S.BOLASH 22FEB06		
TOLERANCES UNLESS OTHERWISE SPECIFIED:		APVD M.WALMSLEY 22FEB06	NAME	
0 PLC $\pm$ -		PRODUCT SPEC	AMPLIMITE HD-22	
1 PLC $\pm$ 0.38 [.015]		APPLICATION SPEC	15 POS PLUG, RIGHT ANGLE	
2 PLC $\pm$ 0.25 [.010]		114-13198	SIZE A2	CAGE CODE 00779
3 PLC $\pm$ 0.15 [.006]		WEIGHT 0	DRAWING NO C=5749767	RESTRICTED TO -
4 PLC $\pm$ -		CUSTOMER DRAWING	SCALE 3:1	SHEET 1 of 1
ANGLES $\pm$ 2'			REV E	
SEE NOTES				

## Looking for pricing, stock, or lifecycle information?

Click below to explore more details on WIN SOURCE:

 [View 5749767-1](#) on WIN SOURCE

 [TE Connectivity](#) Information

## Optimize Your Supply Chain with WIN SOURCE Solutions

-  Global Sourcing Solution
-  Obsolete Management
-  Cost Control Management
-  Shortage Management
-  Alternative Solution
-  Excess Inventory Management