



THE DATASHEET OF
929672-1



THIS DRAWING IS UNPUBLISHED.
 © COPYRIGHT - By -
 VERWENDET FÜR 828907
 WAR NR 88-52008-2

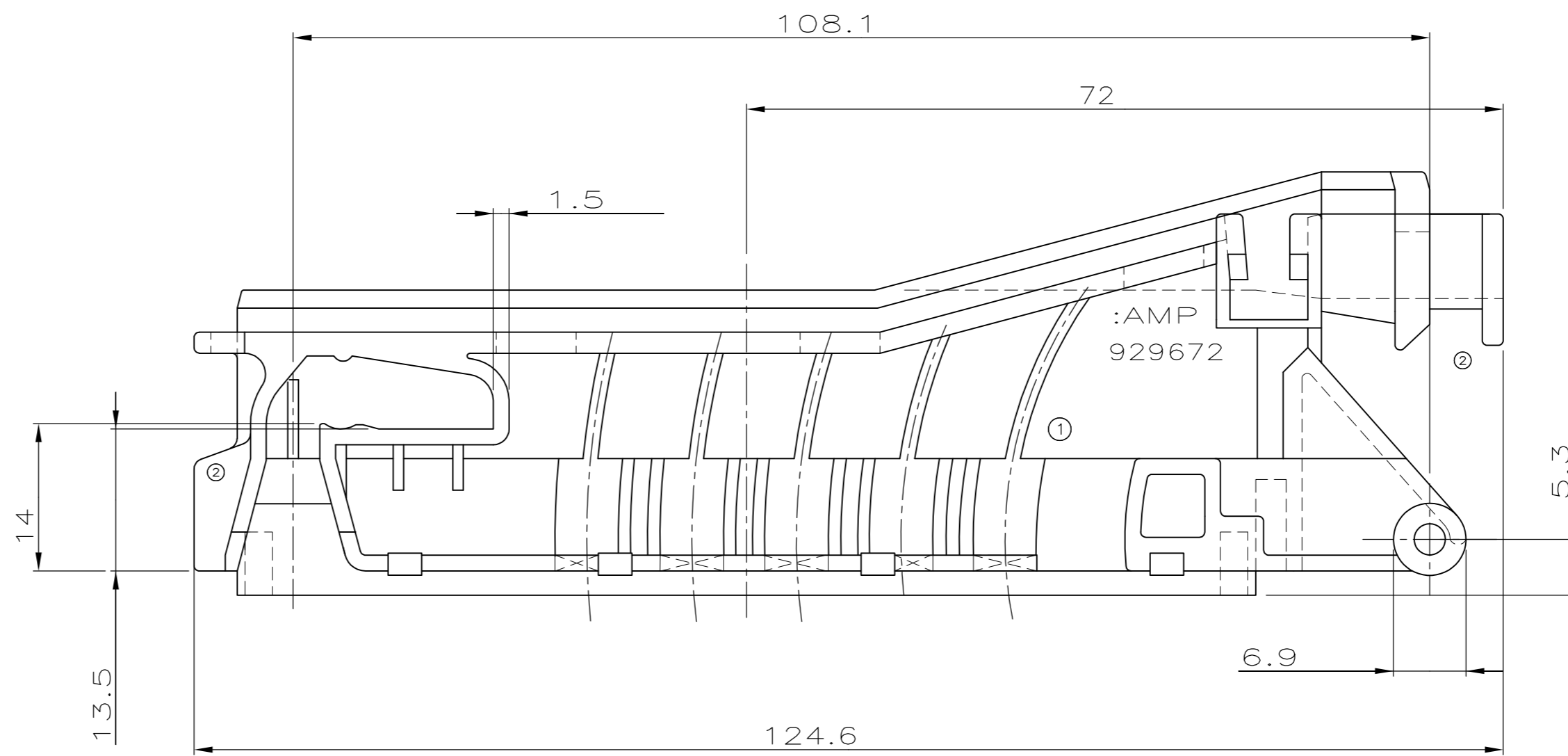
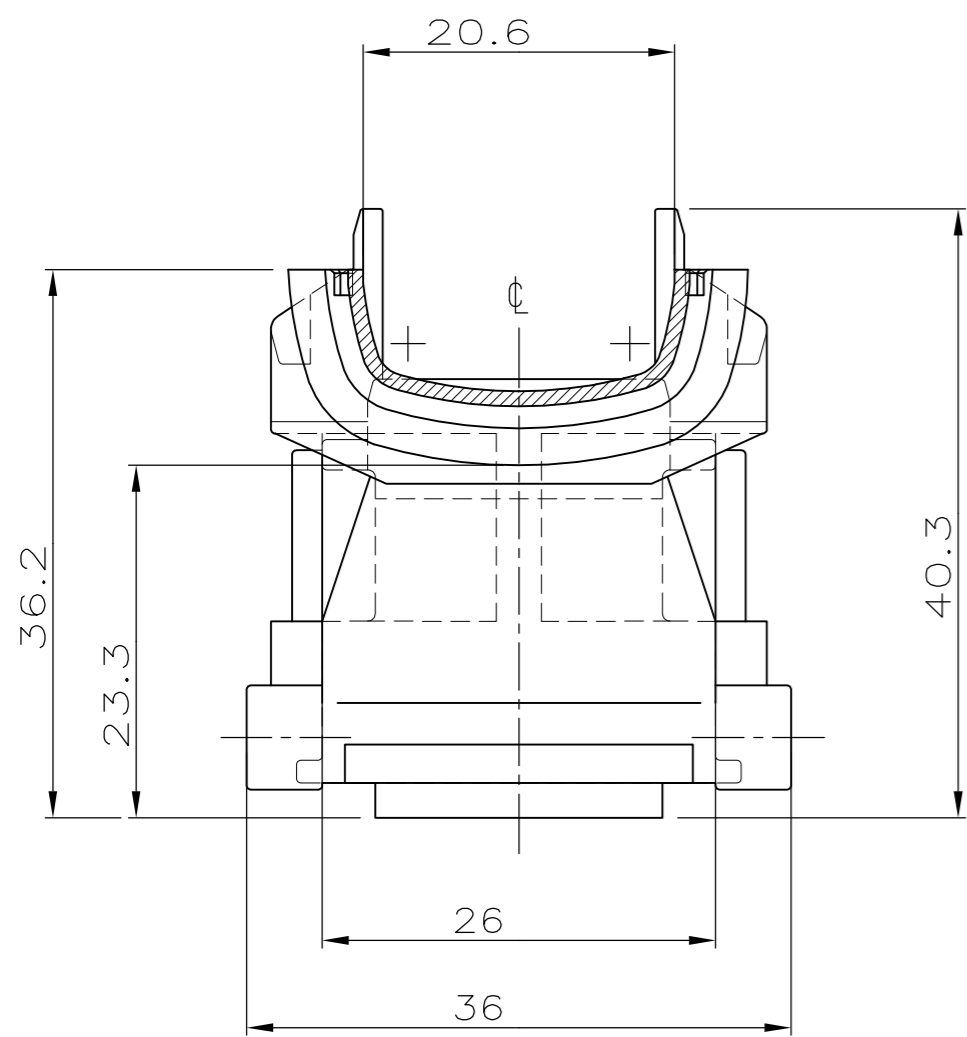
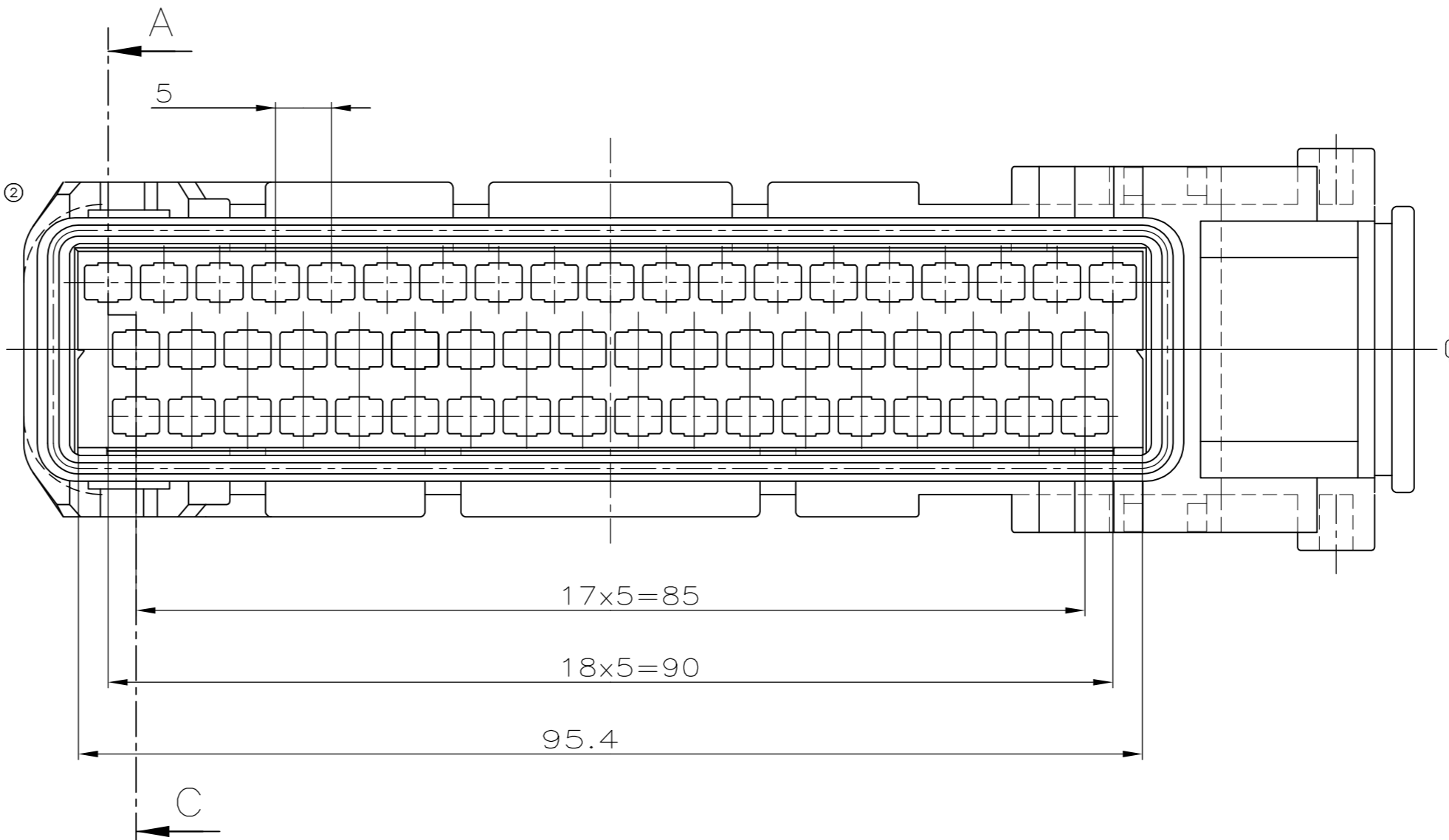
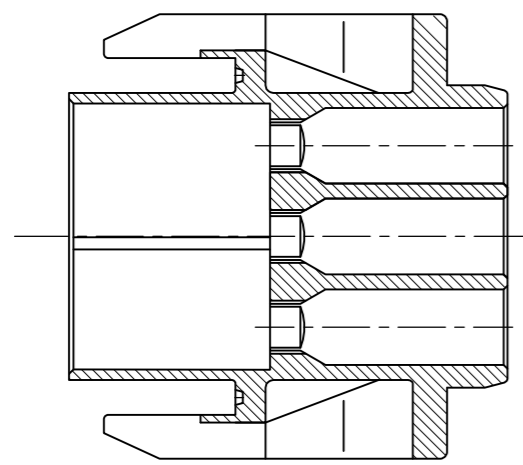
RELEASED FOR PUBLICATION
 ALL RIGHTS RESERVED.

ÄNDERUNGEN DIE DEM TECH-
 NISCHEN FORTSCHRITT DIENEN,
 BEHALTEN WIR UNS VOR

VERTRAULICH
 UNVERÖFFENTLICHTE ZEICHNUNG. ALLE RECHTE
 VORBEHALTEN. VERVIELFÄLTIGUNG UND WEITERGABE
 NUR MIT GENEHMIGUNG DURCH AMP DEUTSCHLAND GMBH

| LOC | | DIST | | REVISIONS | | | |
|-----|-----|---------------------------|--|-----------|-----|------|--|
| P | LTR | DESCRIPTION | | DATE | DWN | APVD | |
| 4 | | REVISED PER ECR-11-025934 | | 29DEC11 | RK | HMR | |

Schnitt SECTION A-C



| BESTELL-NR. | POS. | STÜCK | BENENNUNG EINZELTEIL | WERKSTOFF | OBERFLÄCHE FARBE |
|-------------|------|-------|----------------------|-----------|------------------|
| 929672-1 | 1 | 1 | 55POS. HSG. | PBTP GV15 | BLACK |

THIS DRAWING IS A CONTROLLED DOCUMENT.

| | | |
|------------------|-----------|-------------|
| DWN | W.PFEFFER | 24 AUG 1988 |
| CHK | H.BOUDA | 24 AUG 1988 |
| APVD | - | - |
| PRODUCT SPEC | - | - |
| APPLICATION SPEC | - | - |
| WEIGHT | - | - |
| CUSTOMER DRAWING | | |

DIMENSIONS:
mm

| TOLERANCES UNLESS OTHERWISE SPECIFIED: |
|--|
| 0 PLC ± - |
| 1 PLC ± 0.2 MM |
| 2 PLC ± - |
| 3 PLC ± - |
| 4 PLC ± - |
| ANGLES ± 1.5° |
| FINISH |



TE Connectivity

55POS. J-P-TIMER HSG.
(UPPER PART)

| | | | | | | | |
|-------|-----|-----------|--------|------------|----------|---------------|---|
| SIZE | A2 | CAGE CODE | 00779 | DRAWING NO | C=929672 | RESTRICTED TO | - |
| SCALE | 2:1 | SHEET | 1 OF 1 | REV | 4 | | |

Mouser Electronics

Authorized Distributor


Click to View Pricing, Inventory, Delivery & Lifecycle Information:

[TE Connectivity:](#)

[929672-1](#)

Looking for pricing, stock, or lifecycle information?

Click below to explore more details on WIN SOURCE:

 [View 929672-1 on WIN SOURCE](#)

 [TE Connectivity](#) Information

Optimize Your Supply Chain with WIN SOURCE Solutions

-  Global Sourcing Solution
-  Obsolete Management
-  Cost Control Management
-  Shortage Management
-  Alternative Solution
-  Excess Inventory Management