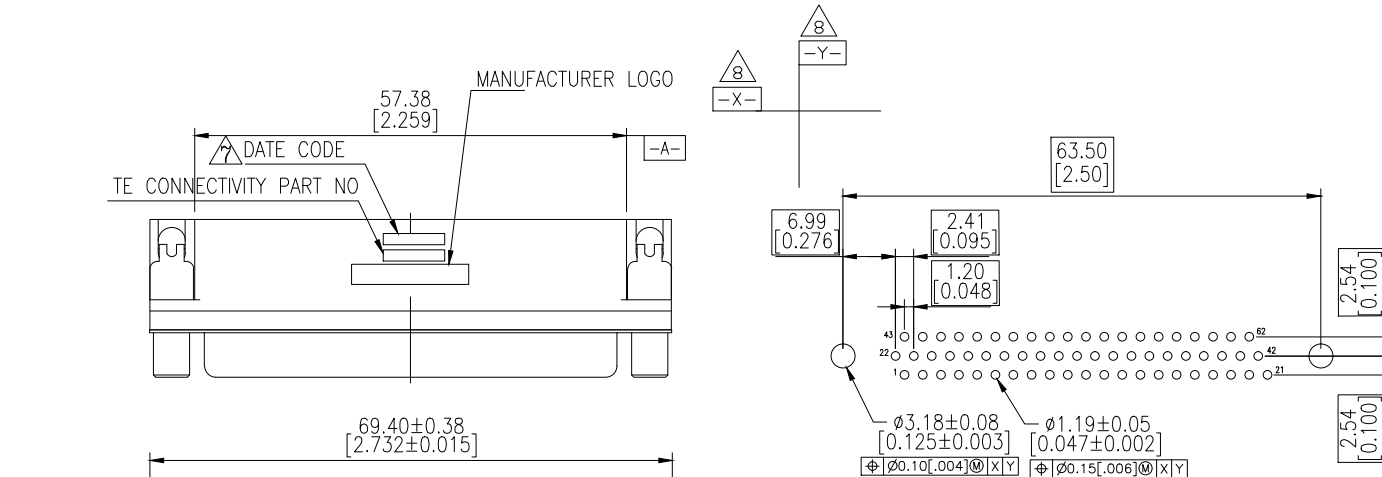




**THE DATASHEET OF**  
**5748394-6**



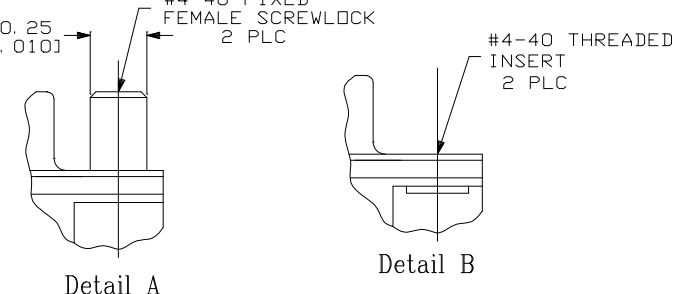
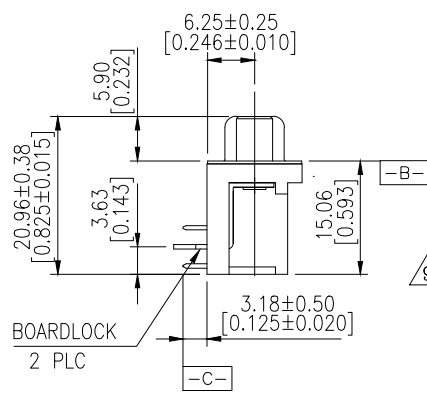
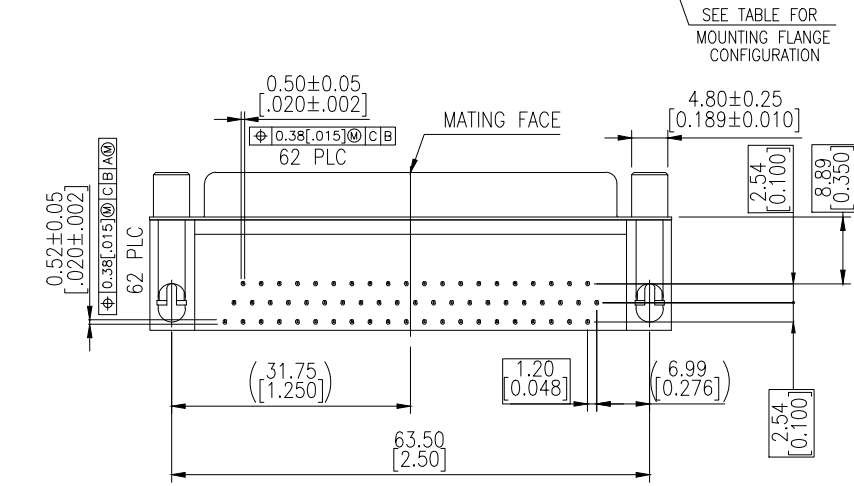
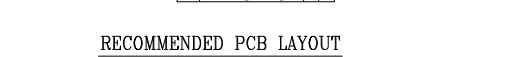
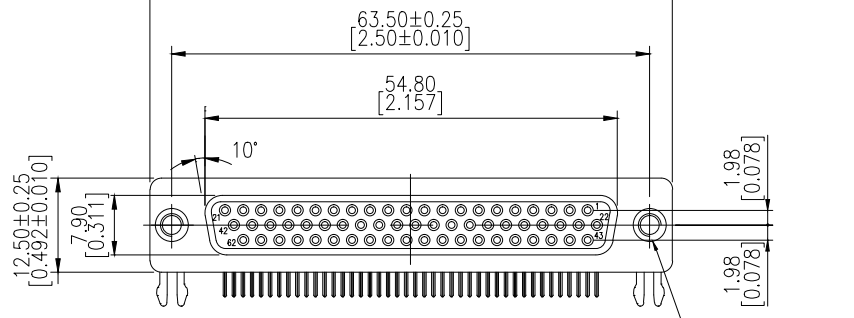
LOC		REVISONS			
P	LTR	DESCRIPTION	DATE	DWN	APVD
GP	00	B3	REVISED PER ECR-14-000726	30APR2014	S.C H.L



1. HOUSING MATERIAL: PBT, GLASS FILLED, BLACK, UL 94V-0 RATED.
2. CONTACT MATERIAL: PHOSPHOR BRONZE.
3. CONTACT FINISH: GOLD PLATE IN MATING AREA (SEE TABLE), 120µ" MIN TIN PLATE ON SOLDER TAIL, BOTH OVER 50µ" MIN NICKEL UNDERPLATE.
4. SHELL: STEEL, NICKEL PLATE.
5. BOARDLOCK: BRASS, 100µ" MIN TIN PLATE.
6. FEMALE SCREWLOCKS/ THREADED INSERTS: BRASS, NICKEL PLATE.

△ FOUR DIGIT DATE CODE IN THIS FORMAT.  
 Year 01 45 Manufacturing Week

△ DATUMS -X- & -Y- TO BE ESTABLISHED BY CUSTOMER.  
 △ OBSOLETE PARTS: OBSOLETE CIS STREAMLINING PER D.RENAUD/D.SINISI



Part NO.	Contact Mating Area Finish	Mounting Flange Configuration	Packaging
2-5748394-6	Gold flash	Detail A	Tray
2-5748394-5	15µ" MIN	Detail A	Tray
2-5748394-4	Gold flash	Detail B	Tray
2-5748394-3	15µ" MIN	Detail B	Tray
5748394-6	30µ" MIN	Detail A	Tray
5748394-5	30µ" MIN	Detail B	Tray

5748394-6, 2--5, & 2--6, SHOWN

THIS DRAWING IS A CONTROLLED DOCUMENT.		DWN B. MCMASTER 21SEP05	TE Connectivity AMPLIMITE HD-22 62 POS RECEPTACLE, RIGHT ANGLE	
DIMENSIONS: mm [INCHES]		CHK S. BOLASH 21SEP05		
TOLERANCES UNLESS OTHERWISE SPECIFIED:		APVD M. WALMSLEY 21SEP05	NAME	
0 PLC ± -	1 PLC ± 0.30	PRODUCT SPEC		
2 PLC ± 0.20	3 PLC ± 0.10	APPLICATION SPEC		
4 PLC ± -	ANGLES ± 2°	SIZE A2	CAGE CODE 00779	DRAWING NO 5748394
MATERIAL	FINISH	WEIGHT	RESTRICTED TO	
		CUSTOMER DRAWING	SCALE 2:1	SHEET 1 of 1
			REV B3	

## Looking for pricing, stock, or lifecycle information?

Click below to explore more details on WIN SOURCE:

 [View 5748394-6 on WIN SOURCE](#)

 [TE Connectivity](#) Information

## Optimize Your Supply Chain with WIN SOURCE Solutions

-  Global Sourcing Solution
-  Obsolete Management
-  Cost Control Management
-  Shortage Management
-  Alternative Solution
-  Excess Inventory Management