

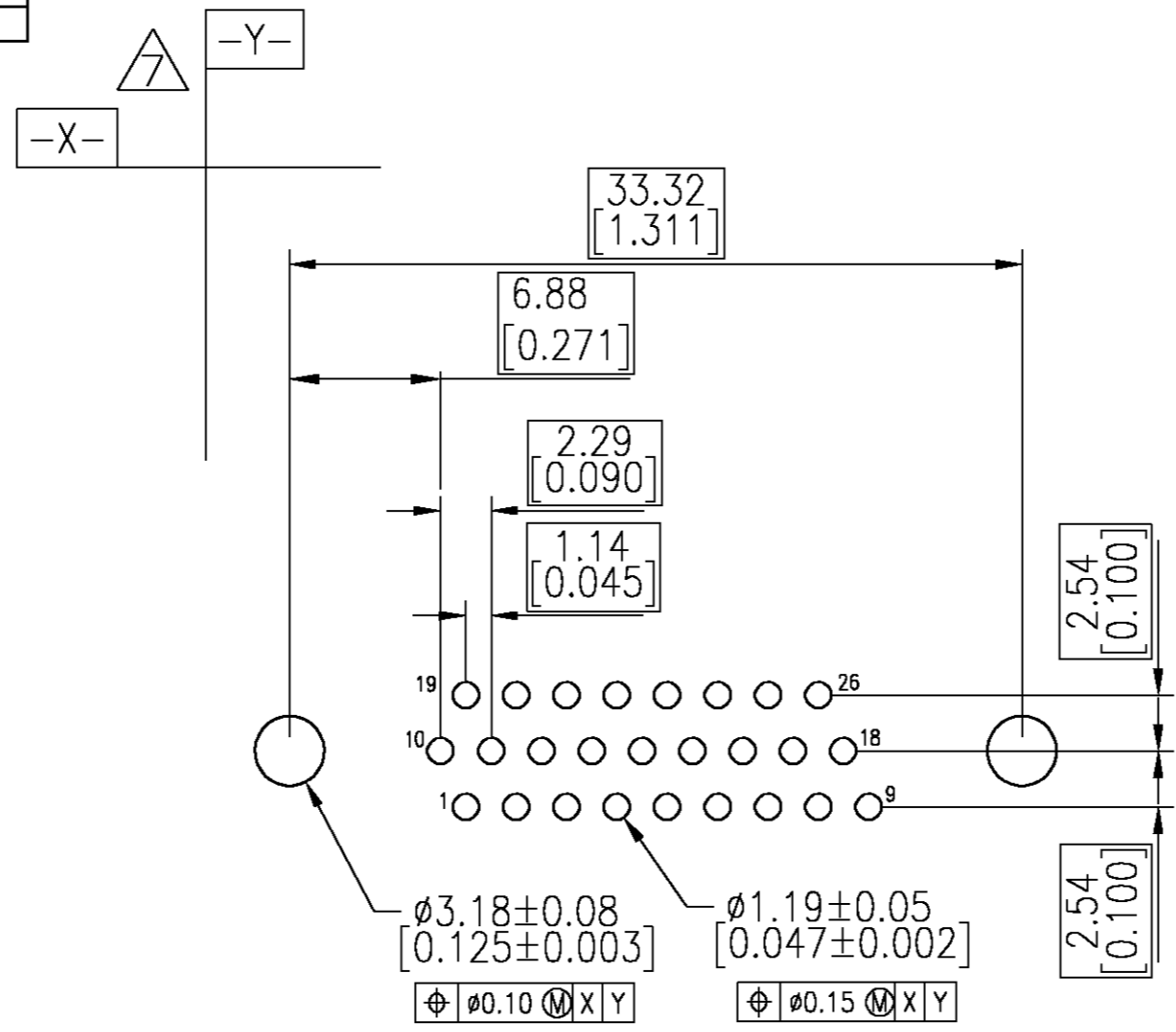
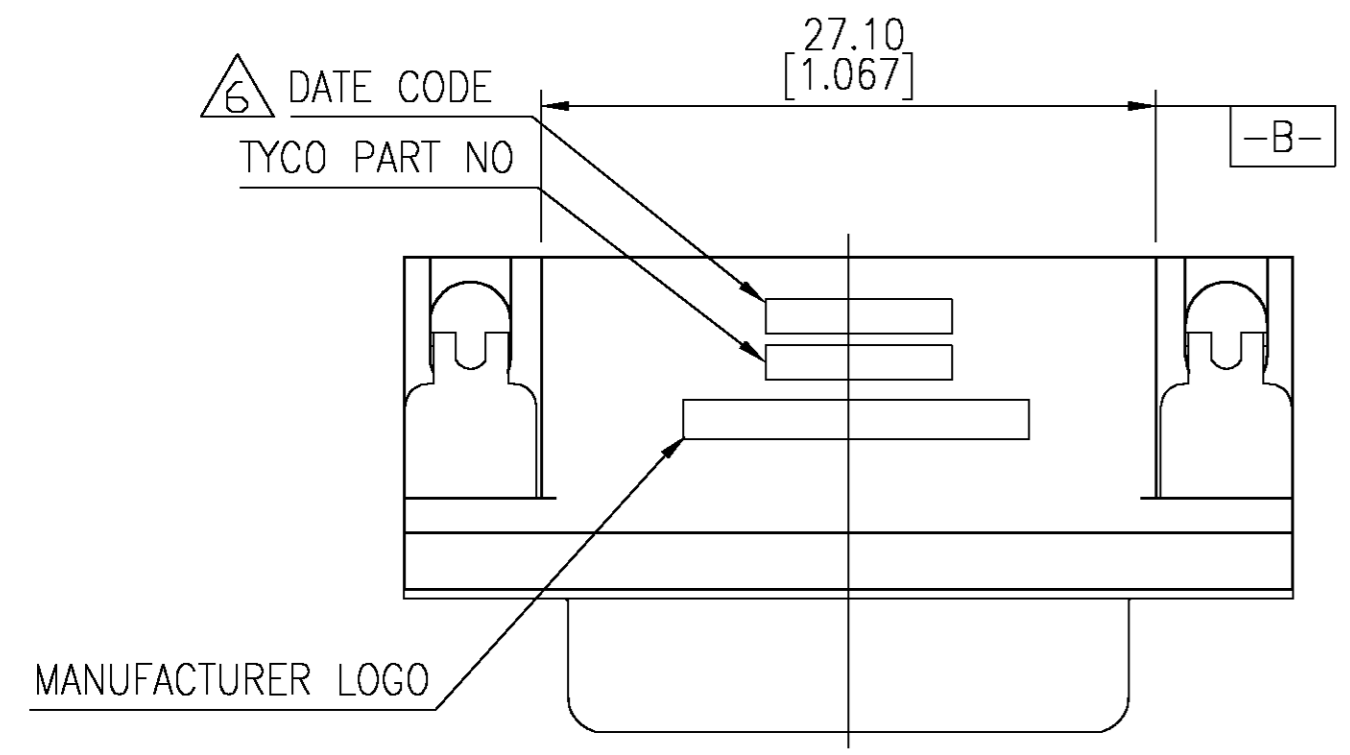


THE DATASHEET OF
5748481-6

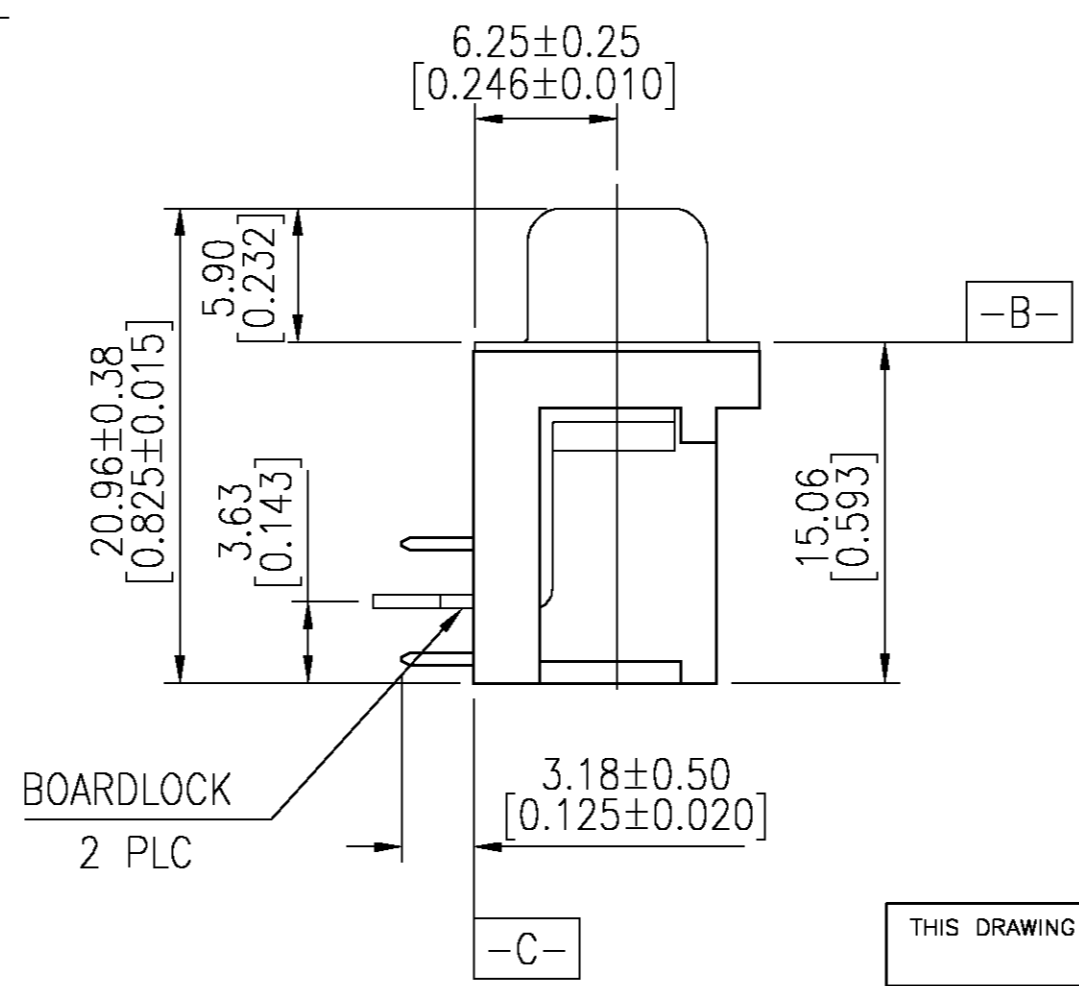
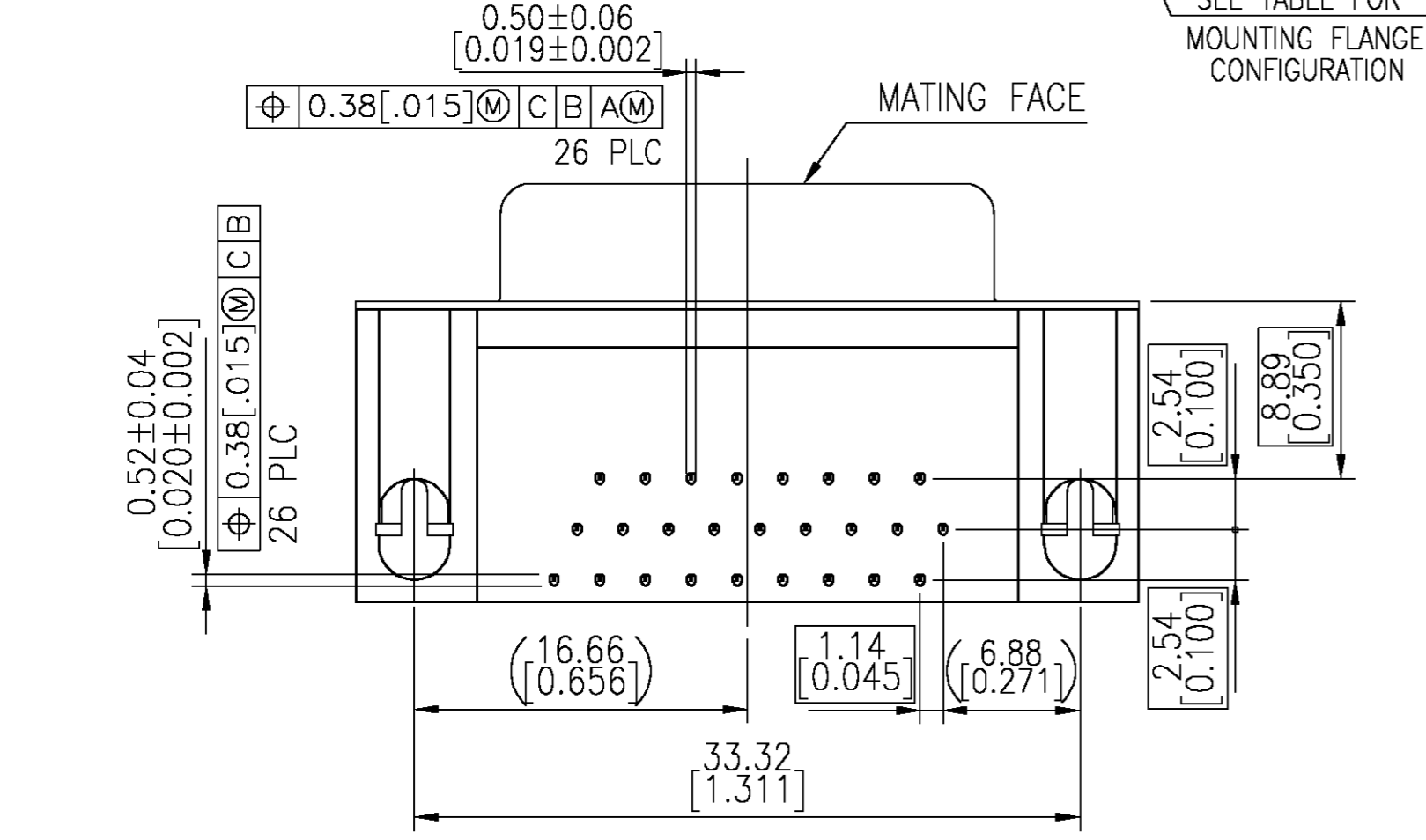
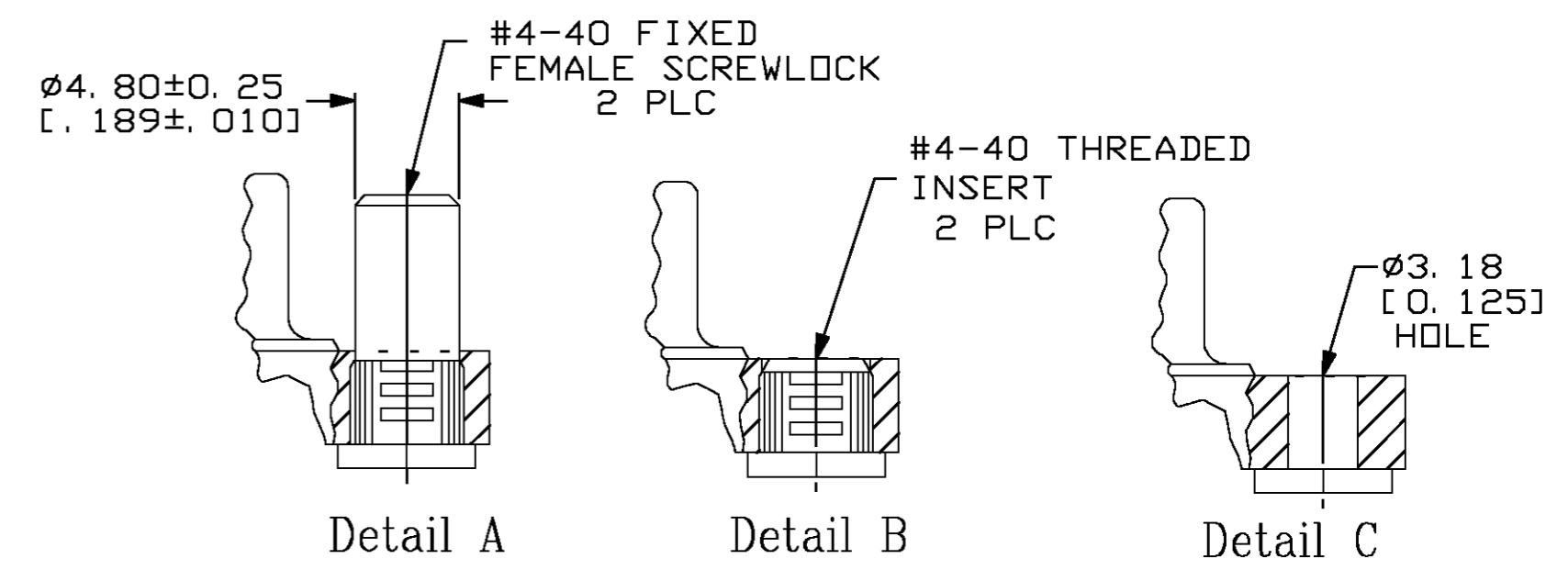
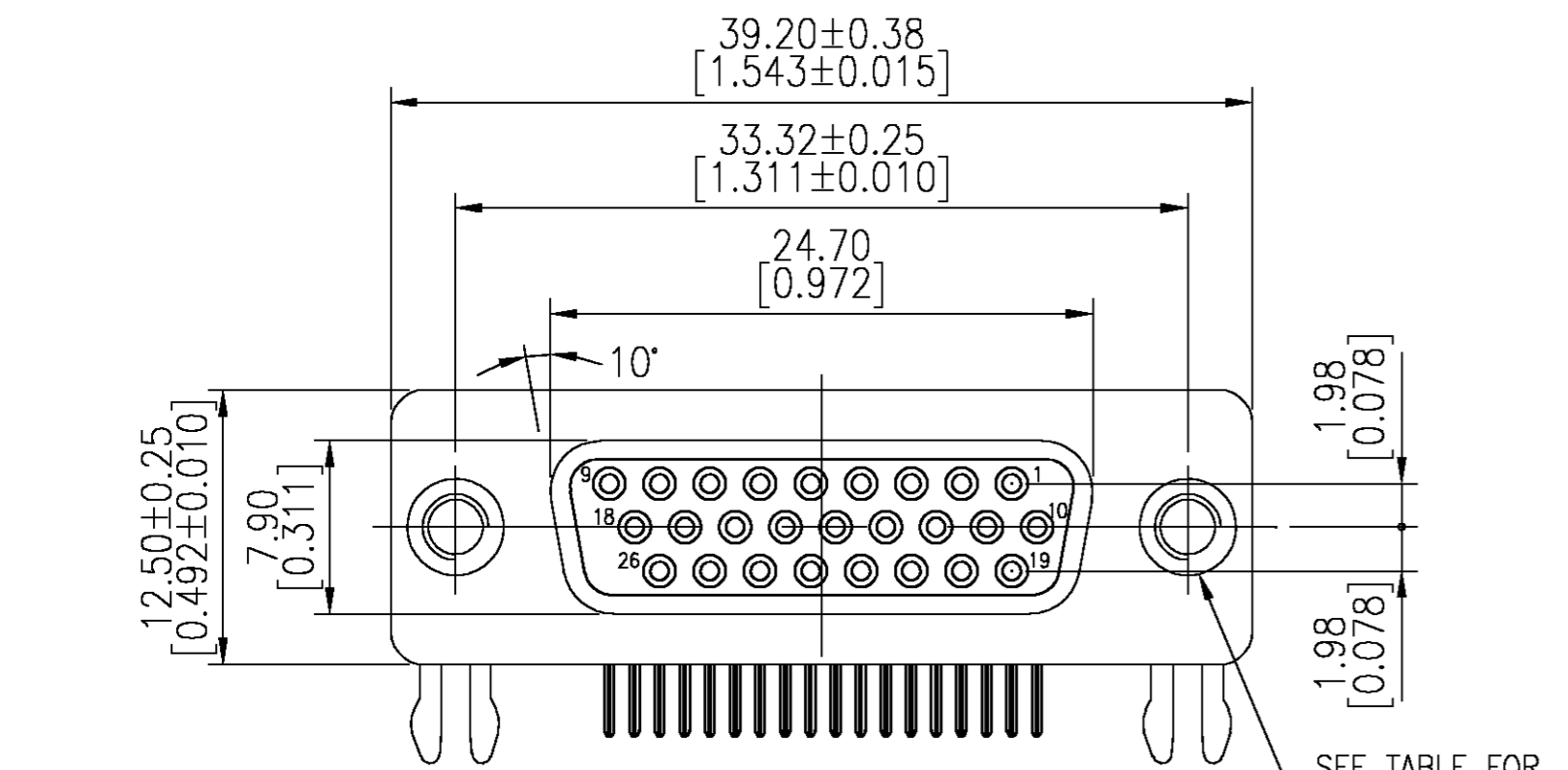


THIS DRAWING IS UNPUBLISHED. RELEASED FOR PUBLICATION
 © COPYRIGHT BY TYCO ELECTRONICS CORPORATION. ALL RIGHTS RESERVED.

Loc		DIST		REVISIONS			
GP	00	P	LTR	DESCRIPTION	DATE	DWN	APVD
		0		RELEASED PER EC OS13-0056-05	31MAY05	RR	JG



- HOUSING: PBT, 30% GF POLYESTER, UL 94V-0 RATED, COLOR BLACK.
- CONTACTS: PHOSPHOR BRONZE, GOLD PLATE IN MATING AREA (SEE TABLE), 120 μ MIN TIN PLATE ON SOLDER TAIL, BOTH OVER 50 μ MIN NICKEL UNDERPLATE.
- SHELL: STEEL, NICKEL PLATE.
- BOARDLOCK: BRASS, TIN PLATE 100 μ MIN.
- FEMALE SCREWLOCK: BRASS, NICKEL PLATE 30 μ MIN.
- FOUR DIGIT DATE CODE IN THIS FORMAT.
 01 45
 YEAR ———— MANUFACTURING WEEK
- DATUMS -X- & -Y- TO BE ESTABLISHED BY CUSTOMER.



Tray	Detail	Contact Mating Area Finish	Part No
Tray	Detail C	Gold flash	2-5748481-7
Tray	Detail C	15 μ MIN GOLD	2-5748481-6
Tray	Detail A	Gold flash	2-5748481-5
Tray	Detail A	15 μ MIN GOLD	2-5748481-4
Tray	Detail B	Gold flash	2-5748481-3
Tray	Detail B	15 μ MIN GOLD	2-5748481-2
Tray	Detail C	30 μ MIN GOLD	1-5748481-9
Tray	Detail A	30 μ MIN GOLD	5748481-6
Tray	Detail B	30 μ MIN GOLD	5748481-5
Packaging	Mounting Flange	Contact Mating Area Finish	Part No

THIS DRAWING IS A CONTROLLED DOCUMENT.

DWN R. RICHARDSON 31MAY05	Tyco Electronics Corporation Harrisburg, Pa 17105-3608	
CHK S. BOLASH 31MAY05		
APVD M. WALMSLEY 31MAY05		
PRODUCT SPEC		
MATERIAL	NAME	AMPLIMITE HD-22 26 POS RECEPTACLE, RIGHT ANGLE
DIMENSIONS: mm [INCHES]	APPLICATION SPEC	SIZE A2 CAGE CODE 00779 DRAWING NO C=5748481 RESTRICTED TO
TOLERANCES UNLESS OTHERWISE SPECIFIED:	WEIGHT	SCALE 1:1 SHEET 1 OF 1 REV 0
0 PLC ± -	CUSTOMER DRAWING	
1 PLC ± 0.30		
2 PLC ± 0.20		
3 PLC ± 0.10		
4 PLC ± -		
ANGLES ± 2°		
FINISH		

Looking for pricing, stock, or lifecycle information?

Click below to explore more details on WIN SOURCE:

 [View 5748481-6 on WIN SOURCE](#)

 [TE Connectivity](#) Information

Optimize Your Supply Chain with WIN SOURCE Solutions

-  Global Sourcing Solution
-  Obsolete Management
-  Cost Control Management
-  Shortage Management
-  Alternative Solution
-  Excess Inventory Management