



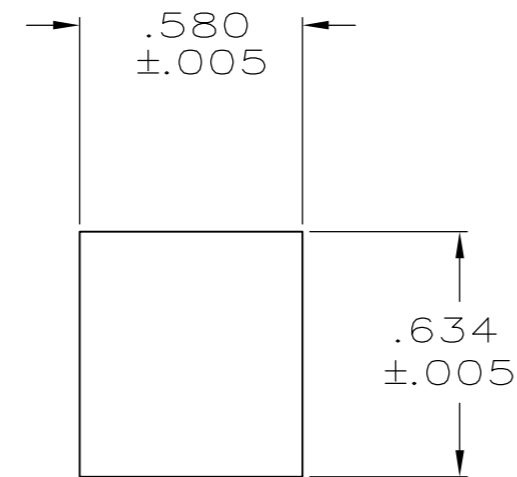
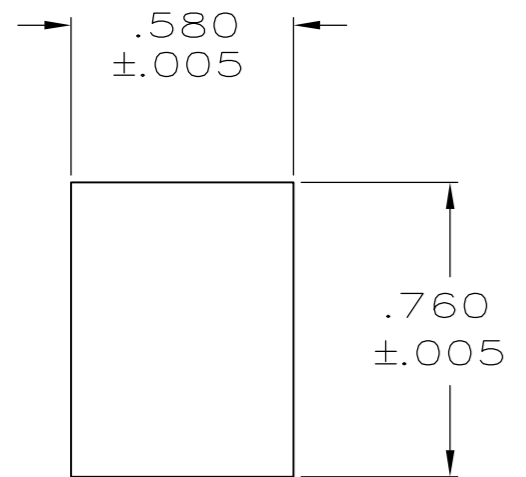
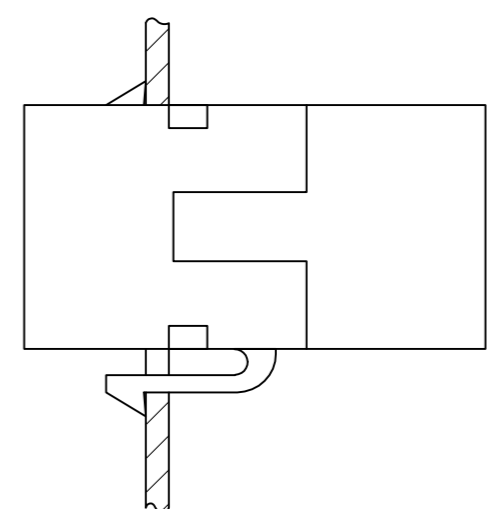
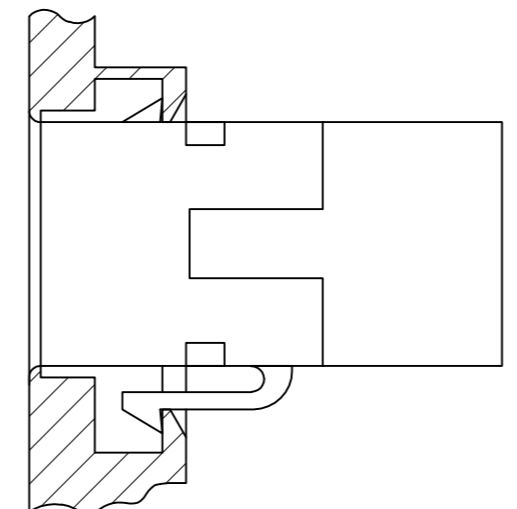
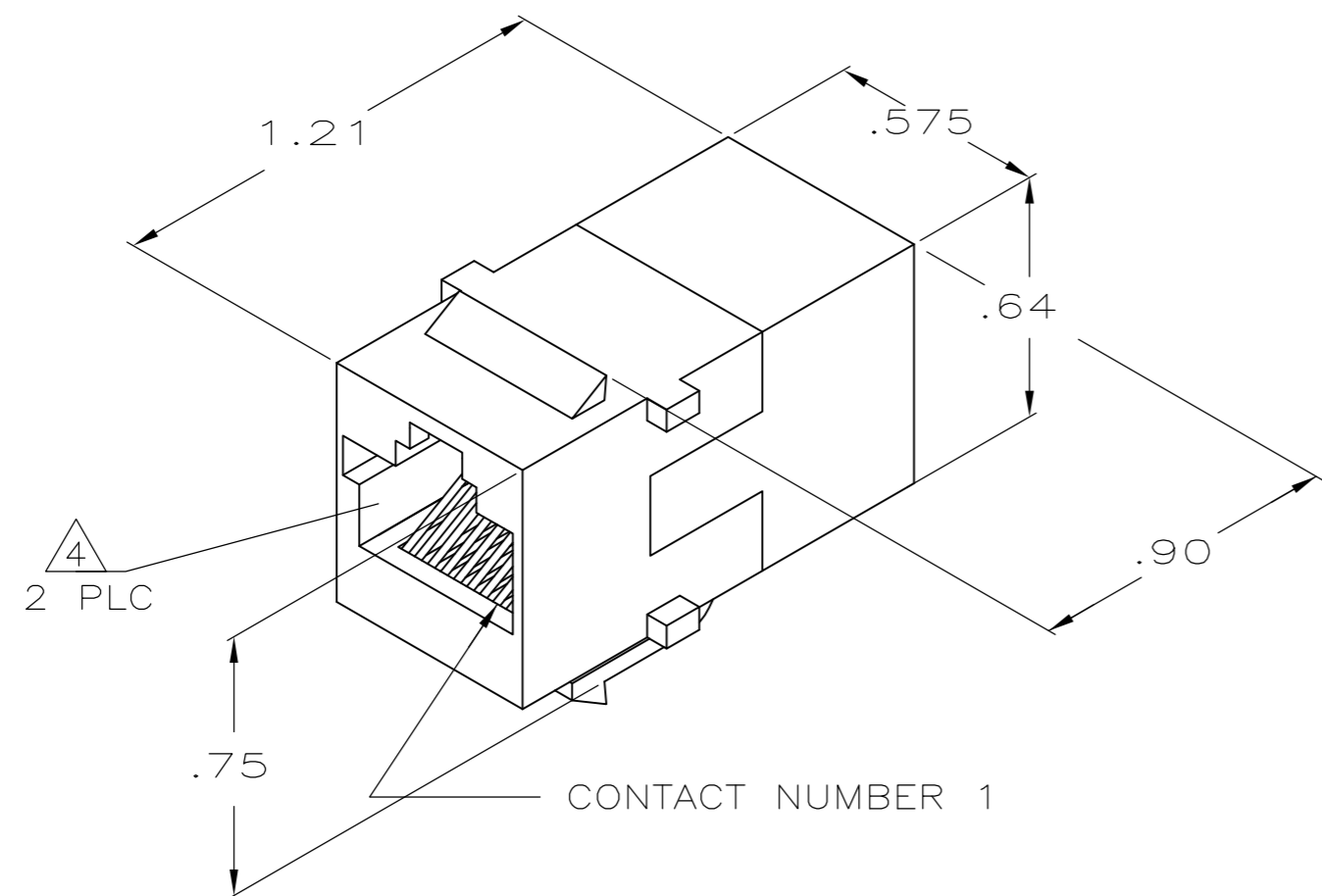
THE DATASHEET OF
555376-1



THIS DRAWING IS UNPUBLISHED. RELEASED FOR PUBLICATION
 © COPYRIGHT - By - ALL RIGHTS RESERVED.

LOC		DIST		REVISIONS			
P	LTR	DESCRIPTION		DATE	DWN	APVD	
		C2		REVISED PER ECO-13-016445	19DEC2013	GG	RA

- ALL DIMENSIONS SHOWN ARE MAXIMUM UNLESS OTHERWISE SPECIFIED.
- MATERIAL:
 HOUSING - POLYPHENYLENE OXIDE, BLACK.
 TERMINAL - .018 DIA PHOSPHOR BRONZE PLATED WITH .000030 MINIMUM THICK GOLD OVER .000050 MINIMUM THICK NICKEL.
- MOUNTING PANEL THICKNESS .062 NOMINAL.
- CAVITIES SHALL CONFORM TO FCC RULES AND REGULATIONS, PART 68, SUBPART F.



RECOMMENDED PANEL CUTOUT FOR SINGLE WALL PLATE AND BACK PANEL FOR DOUBLE WALL PLATE

RECOMMENDED FRONT PANEL CUTOUT FOR DOUBLE WALL PLATE

THIS DRAWING IS A CONTROLLED DOCUMENT.		DWN	LARRY H. SMITH	9-9-87	555376-1		
DIMENSIONS: INCHES		CHK	A.C. CLARK	9-9-87	PART NO		
TOLERANCES UNLESS OTHERWISE SPECIFIED:		APVD	R. NELSON	9-9-87	TE Connectivity		
0 PLC ± -		PRODUCT SPEC	NAME				
1 PLC ± -		APPLICATION SPEC	COUPLER ASSEMBLY, 8 POSITON, IN-LINE KEYED				
2 PLC ± -		WEIGHT	A2 00779		C=555376	RESTRICTED TO	
3 PLC ± -		FINISH	SCALE 2:1 SHEET 1 of 1 REV C2				
4 PLC ± -							
ANGLES ± -							

Mouser Electronics

Authorized Distributor


Click to View Pricing, Inventory, Delivery & Lifecycle Information:

[TE Connectivity Divested:](#)

[555376-1](#)

Looking for pricing, stock, or lifecycle information?

Click below to explore more details on WIN SOURCE:

 [View 555376-1 on WIN SOURCE](#)

 [TE Connectivity](#) Information

Optimize Your Supply Chain with WIN SOURCE Solutions

-  Global Sourcing Solution
-  Obsolete Management
-  Cost Control Management
-  Shortage Management
-  Alternative Solution
-  Excess Inventory Management