

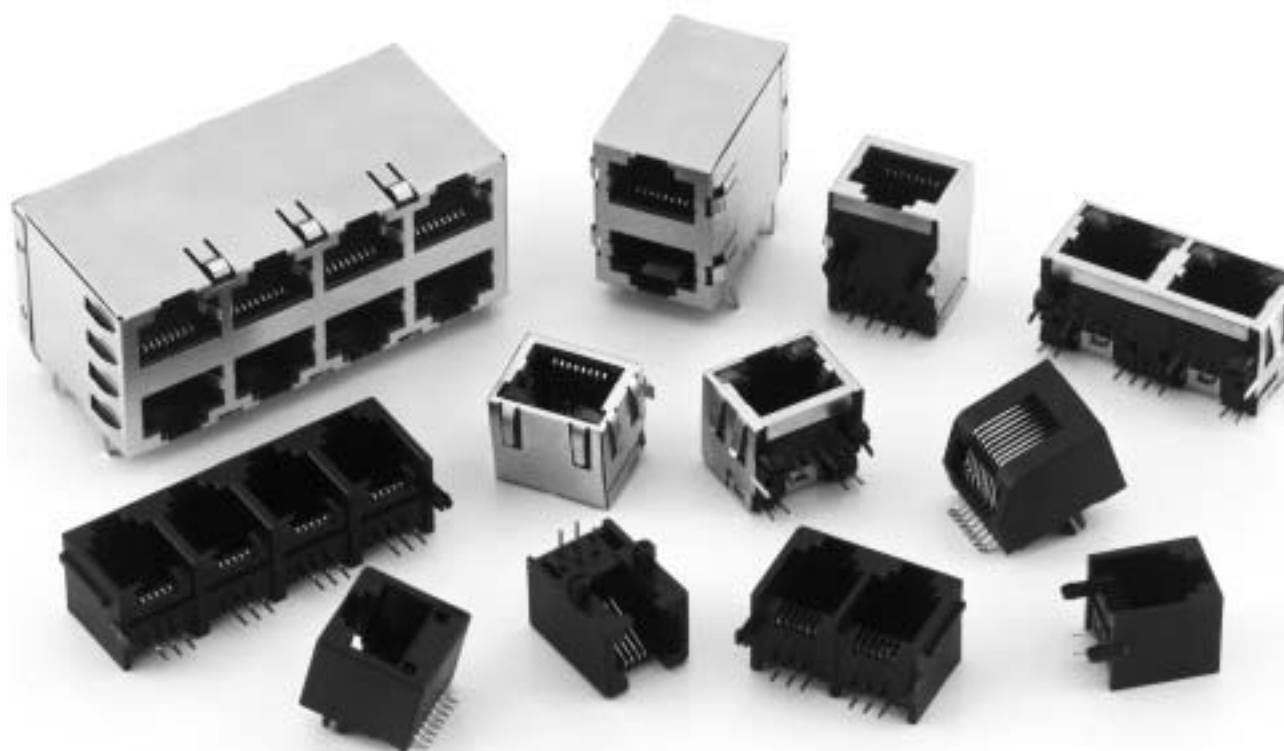


**THE DATASHEET OF
61500814221**





Modular Jack Connector WR-MJ



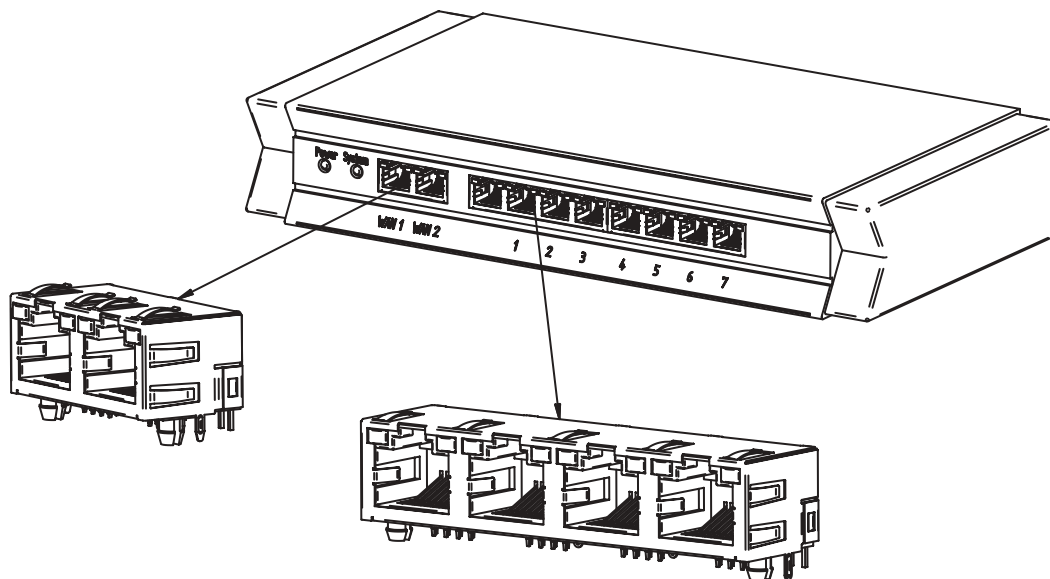


Modular Jack Connector WR-MJ

Würth Elektronik is a leader for filtered connectivity solutions thanks to WE Midcom Inc. USA it's US branch office, well known for Modular Jack with transformer.

After primarily focused on RJ with magnetic Würth Elektronik decided to offer a wide range of non filtered Modular Jack too.

This range consists in single or multi-port jacks, stacked or not, with possible LEDs (eventually bipolar), in surface mount or through hole pc board mount, shielded or unshielded.



Performance level 3
 Performance level 2 as per CECC 75 301-802
 Performance level 1 as per CECC 75 301-802

50 mating cycles, no gaz test
 250 mating cycles, 4 days 4 mixed gaz test - IEC 60 512
 500 mating cycles, 10 days 4 mixed gaz test - IEC 60 512

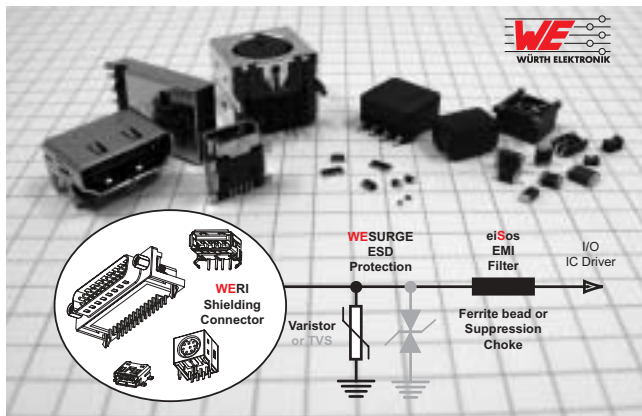
xPyC means x Poles/y Contacts
 ex: 6P4C means 6Poles/4Contacts



Modular Jack Connector WR-MJ

NEW		Horizontal Shielded Modular Jack	12-5 to 12-18
NEW		Horizontal Half Shielded Modular Jack	12-19 & 12-20
NEW		Horizontal Plastic Modular Jack	12-21 to 12-29
NEW		Vertical Shielded Modular Jack	12-30 to 12-32
NEW		Vertical Plastic Modular Jack	12-33 to 12-38
NEW		45° Plastic Modular Jack	12-39
NEW		Design Kit	12-40

Würth Elektronik has understood the requirements of design engineers offering also ESD and EMI suppression parts for its communication connectors. In the EMC labs customers are often faced with unsatisfied protection of its designs due to the rigorous tests against ESD and EMI.



Related Products

- Recommended parts for LAN transforming
LAN Transformer 10/100 BaseT WE-LAN e.g. 749 010 012
LAN Transformer Gigabit WE-LAN e.g. 749 020 010
- Recommended parts for EMI suppression
Chip Bead Ferrites WE-CBF e.g. 742 792 040 with 600Ohm in size 0805
Common Mode Chokes WE-CNSW e.g. 744 232 222 with 2200Ohm
- Recommended parts for ESD suppression
ESD Suppressor WE-VE "ULC" e.g. 823 07 050 029 with 0.2pF in size 0402
TVS Diodes WE-TVS e.g. 824 015 with 4 I/O lines + VDD protection



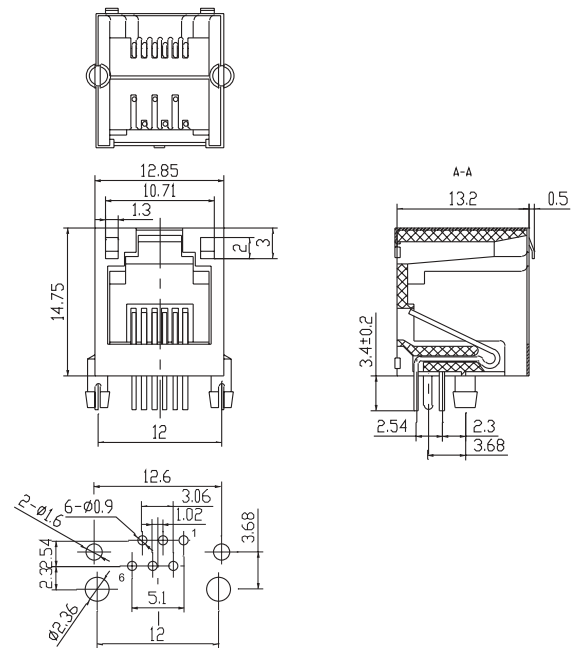
Modular Jack Connector WR-MJ

Entrance	Shielding	Port	TH/SMT	LED	EMI	xPxC	Tab	Order Code	Page			
Horizontal	Shielded	1x1	THT	No	No	6P6C	Up	615 006 143 221	12-5	NEW		
						8P8C	Down	615 008 140 121	12-6	NEW		
						8P8C	Down	615 008 142 21	12-7			
						8P8C	Down	615 008 142 621	12-8	NEW		
					Yes	8P8C	Up	615 008 140 621	12-9	NEW		
		Yellow/Green	Yes	8P8C	Up	615 008 137 421	12-10	NEW				
		2x Bipolar G/Y	Yes	8P8C	Up	615 008 141 321		NEW				
								8P8C	Up	615 008 142 121		NEW
					SMT	Yellow/Green	Yes	8P8C	Up	634 008 137 521	12-11	
				1x2	THT	No	No	8P8C	Down	615 016 137 621	12-12	
			8P8C					Up	615 016 137 721	12-13		
			8P8C					Down	615 032 137 821	12-14		
			8P8C					Up	615 032 137 921	12-15		
			2x1	THT	No	Yes	8P8C	Down & Up	615 016 240 521	12-16	NEW	
			2x2				8P8C	Down & Up	615 032 243 321	12-17	NEW	
			2x4				8P8C	Down & Up	615 064 243 321	12-18	NEW	
		Half-shielded	1x1	THT	No	No	6P6C	Down	615 006 143 421	12-19	NEW	
								8P8C	Down	615 008 143 521	12-20	NEW
		Plastic	1x1	THT	No	Nc	6P6C	Down	615 006 143 621	12-21	NEW	
								8P8C	Down	615 008 143 721	12-22	NEW
							6P4C	Down	615 004 141 121	12-23	NEW	
							6P6C	Down	615 006 141 121		NEW	
							6P2C	Up	615 002 138 421	12-24	NEW	
				6P4C			Up	615 004 138 421	NEW			
				6P6C			Up	615 006 138 421	NEW			
								4P4C	Up	615 004 143 821	12-25	NEW
								8P8C	Down	615 008 137 121	12-26	
							SMT	8P8C	Down	634 008 137 221	12-27	
		1x2	THT	6P6C	Up	615 012 143 921	12-28	NEW				
		1x4		6P6C	Up	615 024 143 921	12-29	NEW				
Vertical	Shielded	1x1	THT	No	No	8P8C	-	615 008 138 221	12-30	NEW		
						8P8C		615 008 140 421	12-31			
						Yellow/Green		8P8C	615 008 138 321		12-32	
	Plastic	1x1	THT	No	No	No	6P6C	-	615 006 138 521	12-33	NEW	
							4P4C		615 004 144 021	12-34		
							6P4C		615 004 144 121	12-35		
							6P6C		615 006 144 121			
							8P8C		615 008 144 221	12-36		
							8P8C		615 008 138 021	12-37		
										8P8C		634 008 138 121
45°	Plastic	1x1	THT	No	No	8P8C		615 008 142 521	12-39	NEW		
Design Kit								615 001	12-40	NEW		

12

NEW

Horizontal Shielded 6P6C Modular Jack Tab Up WR-MJ



PCB LAYOUT - COMPONENT VIEW



MATERIAL

- Insulator material: PBT
- Flammability rating: UL94-V0
- Colour: Black
- Contact material: Copper alloy
- Contact type: Stamped
- Contact plating: Gold
- Shielding: Bronze Ni Plated
- Quality class: 500 mating cycles

ENVIRONMENTAL

- Operating temperature: -25 °C up to 85 °C
- Compliance: Lead free and RoHS

ELECTRICAL

- Current rating: 1.5 A
- Working voltage: 120 Vac
- Insulation resistance: >500 MOhm
- Dielectric withstanding voltage: 1 000 Vac/mn
- Contact resistance: 20 mOhm max

SOLDERING

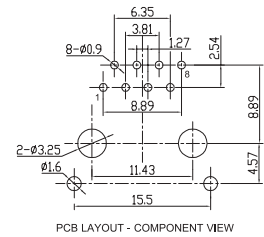
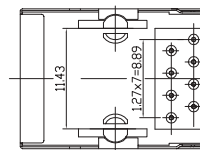
- Solder temperature: JEDEC lead free wave soldering

PACKAGING

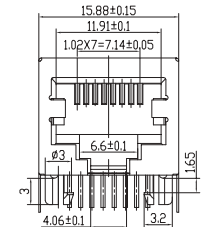
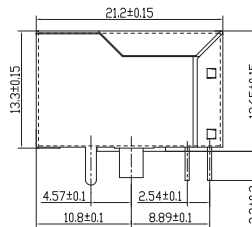
- Tray

Order Code	Pins	Description
615 006 143 221	6P6C	Modular Jack Horizontal Shielded Tab Up

Horizontal Shielded 8P8C Modular Jack Tab Down WR-MJ



PCB LAYOUT - COMPONENT VIEW



MATERIAL

- Insulator material: PBT
- Flammability rating: UL94-V0
- Colour: Black
- Contact material: Copper alloy
- Contact type: Stamped
- Contact plating: Selective gold
- Shielding: Bronze Ni Plated
- Quality class: 500 mating cycles

ENVIRONMENTAL

- Operating temperature: -25 °C up to 85 °C
- Compliance: Lead free and RoHS

ELECTRICAL

- Current rating: 1.5 A
- Working voltage: 120 Vac
- Insulation resistance: >500 MOhm
- Dielectric withstanding voltage: 1 000 Vac/mn
- Contact resistance: 20 mOhm max
- System application: CAT 5 Compatible

SOLDERING

- Solder temperature: JEDEC lead free wave soldering

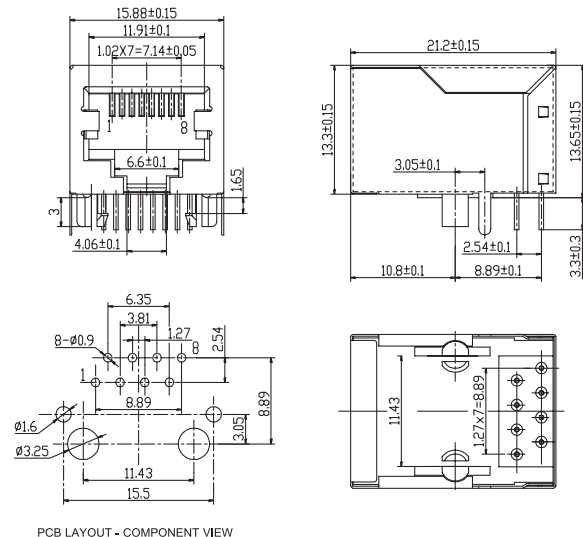
PACKAGING

- Tray

Order Code	Pins	Description
615 008 142 21	8P8C	Modular Jack Horizontal Shielded Tab Down

NEW

Horizontal Shielded 3.05mm Rear Grounding Post 8P8C Modular Jack Tab Down WR-MJ



MATERIAL

- Insulator material: PBT
- Flammability rating: UL94-V0
- Colour: Black
- Contact material: Copper alloy
- Contact type: Stamped
- Contact plating: Selective gold
- Shielding: Bronze Ni Plated
- Quality class: 500 mating cycles

ENVIRONMENTAL

- Operating temperature: -25 °C up to 85 °C
- Compliance: Lead free and RoHS

ELECTRICAL

- Current rating: 1.5 A
- Working voltage: 120 Vac
- Insulation resistance: >500 MOhm
- Dielectric withstanding voltage: 1 000 Vac/mn
- Contact resistance: 20 mOhm max
- System application: CAT 5 Compatible

SOLDERING

- Solder temperature: JEDEC lead free wave soldering

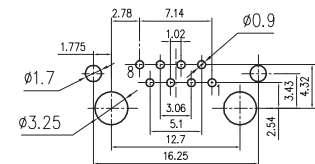
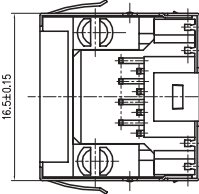
PACKAGING

- Tray

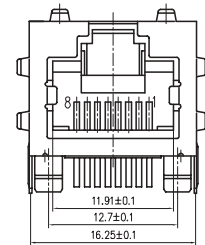
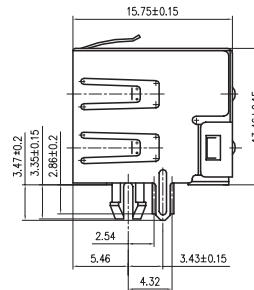
Order Code	Pins	Description
615 008 142 621	8P8C	Modular Jack Horizontal Shielded 3.05 mm Rear Grounding Post Tab Down

NEW

Horizontal Shielded with EMI Panel Finger 8P8C Modular Jack Tab Up WR-MJ



PCB LAYOUT - COMPONENT VIEW



MATERIAL

- Insulator material: PBT
- Flammability rating: UL94-V0
- Colour: Black
- Contact material: Copper alloy
- Contact type: Stamped
- Contact plating: Selective gold
- Shielding: Bronze Ni Plated
- Quality class: 500 mating cycles

ENVIRONMENTAL

- Operating temperature: -25 °C up to 85 °C
- Compliance: Lead free and RoHS

ELECTRICAL

- Current rating: 1.5 A
- Working voltage: 120 Vac
- Insulation resistance: >500 MOhm
- Dielectric withstanding voltage: 1 000 Vac/mn
- Contact resistance: 20 mOhm max
- System application: CAT 5 Compatible

SOLDERING

- Solder temperature: JEDEC lead free wave soldering

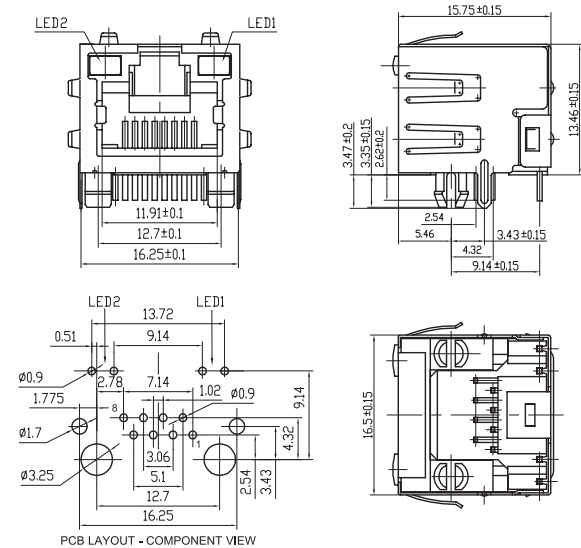
PACKAGING

- Tray

Order Code	Pins	Description
615 008 140 621	8P8C	Modular Jack Horizontal Shielded With EMI Panel Finger Tab Up



Horizontal Shielded with LED and EMI Panel Finger 8P8C Modular Jack Tab Up WR-MJ



615 008 141 321 = (YELLOW)
(GREEN)

615 008 142 121 = (GREEN)
(YELLOW)



MATERIAL

- Insulator material: PBT
- Flammability rating: UL94-V0
- Colour: Black
- Contact material: Copper alloy
- Contact type: Stamped
- Contact plating: Selective gold
- Shielding: Bronze Ni Plated
- Quality class: 500 mating cycles

ENVIRONMENTAL

- Operating temperature: -25 °C up to 85 °C
- Compliance: Lead free and RoHS

ELECTRICAL

- Current rating: 1.5 A
- Working voltage: 120 Vac
- Insulation resistance: >500 MOhm
- Dielectric withstanding voltage: 1 000 Vac/mn
- Contact resistance: 20 mOhm max
- System application: CAT 5 Compatible

SOLDERING

- Solder temperature: JEDEC lead free wave soldering

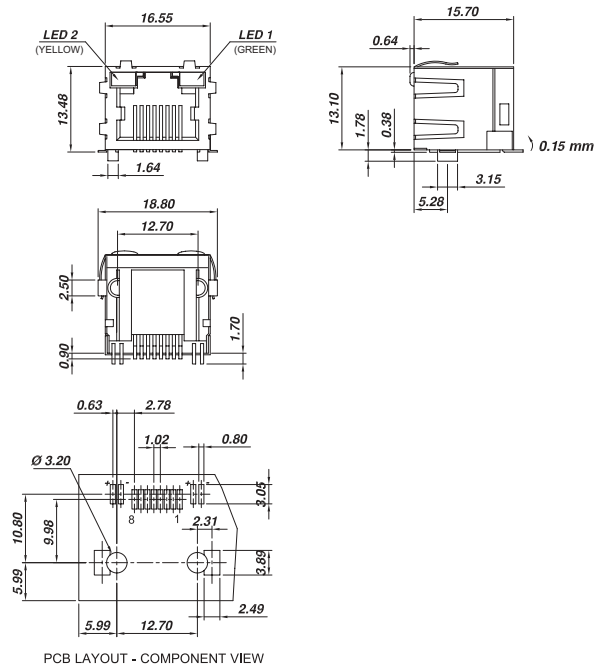
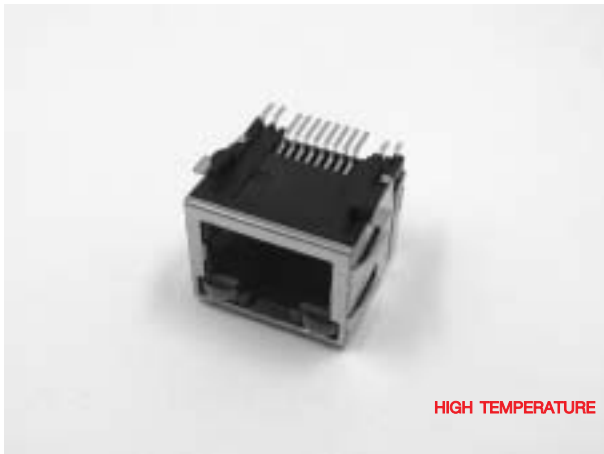
PACKAGING

- Tray

Order Code	Pins	LED 1	LED 2	LED Colour Status	Description
615 008 137 421	8P8C	Green	Yellow	-	Modular Jack Horizontal Shielded with LED & EMI Panel Finger
615 008 141 321	8P8C	Bipolar G/Y	Bipolar G/Y	See Drawing	MJ Horizontal Shielded with Bipolar LED & EMI Panel Finger
615 008 142 121	8P8C	Bipolar Y/G	Bipolar Y/G	See Drawing	MJ Horizontal Shielded with Bipolar LED & Panel EMI Finger



Horizontal Shielded SMT with LED and EMI Panel Finger 8P8C Modular Jack Tab Up WR-MJ



MATERIAL

- Insulator material: Nylon 6T
- Flammability rating: UL94-V0
- Colour: Black
- Contact material: Copper alloy
- Contact type: Stamped
- Contact plating: Selective gold
- Shielding: Bronze Ni Plated
- Quality class: 500 mating cycles

ENVIRONMENTAL

- Operating temperature: -25 °C up to 85 °C
- Compliance: Lead free and RoHS

ELECTRICAL

- Current rating: 1.5 A
- Working voltage: 120 Vac
- Insulation resistance: >500 MOhm
- Dielectric withstanding voltage: 1 000 Vac/mn
- Contact resistance: 20 mOhm max
- System application: CAT 5 Compatible

SOLDERING

- Solder temperature: JEDEC lead free reflow soldering

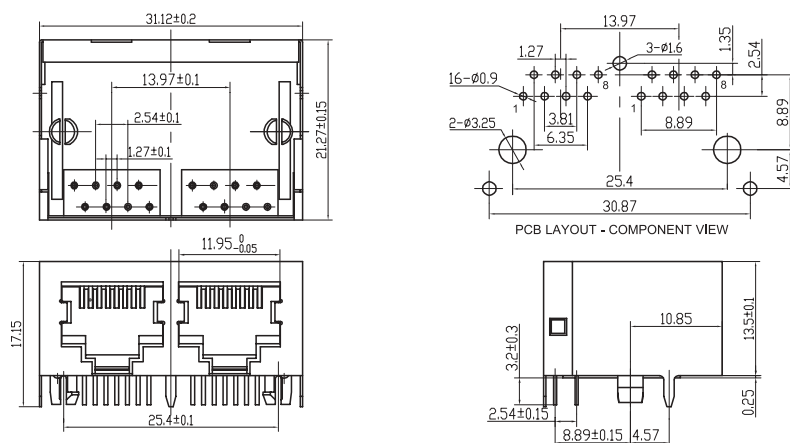
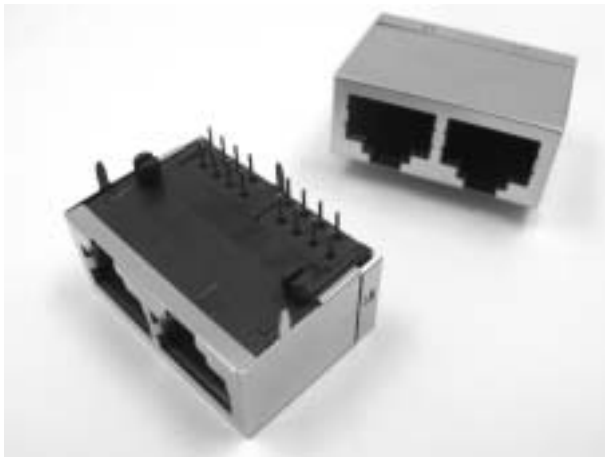
PACKAGING

- Tape & Reel

Order Code	Pins	LED 1	LED 2	LED Colour Status	Description
634 008 137 521	8P8C	Green	Yellow	-	Modular Jack Horizontal Shielded with LED & EMI Panel Finger



Horizontal Shielded Dual Port 8P8C Modular Jack Tab Down WR-MJ



MATERIAL

- Insulator material: PBT
- Flammability rating: UL94-V0
- Colour: Black
- Contact material: Copper alloy
- Contact type: Stamped
- Contact plating: Selective gold
- Shielding: Bronze Ni Plated
- Quality class: 500 mating cycles

ENVIRONMENTAL

- Operating temperature: -25 °C up to 85 °C
- Compliance: Lead free and RoHS

ELECTRICAL

- Current rating: 1.5 A
- Working voltage: 120 Vac
- Insulation resistance: $>500\text{ MOhm}$
- Dielectric withstanding voltage: 1 000 Vac/mn
- Contact resistance: 20 mOhm max
- System application: CAT 5 Compatible

SOLDERING

- Solder temperature: JEDEC lead free wave soldering

PACKAGING

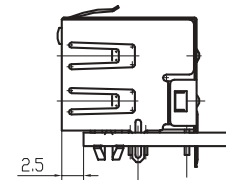
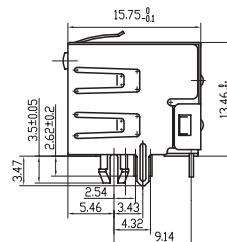
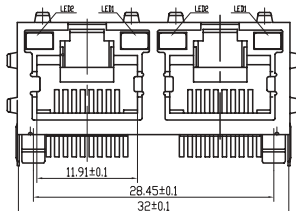
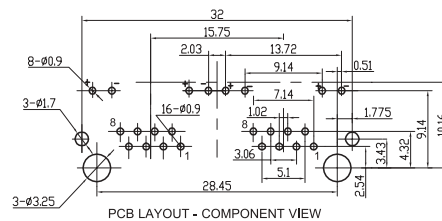
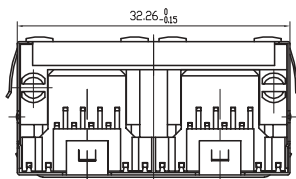
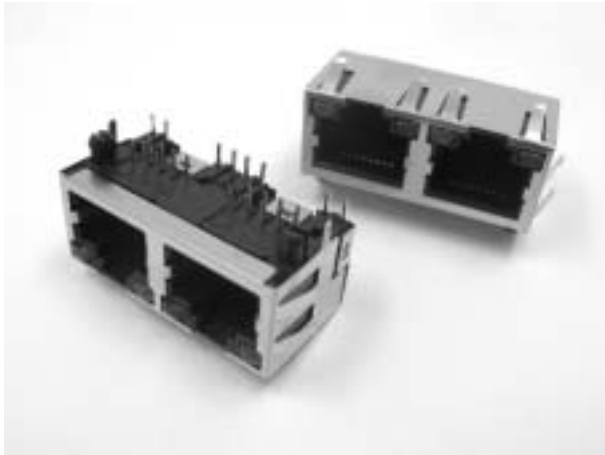
- Tray

12

Order Code	Pins	Description
615 016 137 621	2 x 8P8C	2 x Modular Jack Horizontal Dual Port Shielded Tab Down



Horizontal Shielded Dual Port with LED and EMI Panel Finger 8P8C Modular Jack Tab Up WR-MJ



MATERIAL

- Insulator material:
- Flammability rating
- Colour:
- Contact material:
- Contact type:
- Contact plating:
- Shielding:
- Quality class:

PBT
UL94-V0
Black
Copper alloy
Stamped
Selective gold
Bronze Ni Plated
500 mating cycles

ENVIRONMENTAL

- Operating temperature:
- Compliance:

-25 °C up to 85 °C
Lead free and RoHS

ELECTRICAL

- Current rating: 1.5 A
- Working voltage: 120 Vac
- Insulation resistance: >500 MOhm
- Dielectric withstanding voltage: 1 000 Vac/mn
- Contact resistance: 20 mOhm max
- System application: CAT 5 Compatible

SOLDERING

- Solder temperature: JEDEC lead free wave soldering

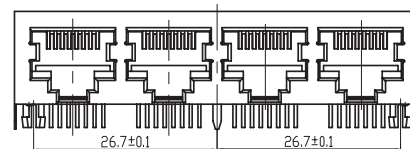
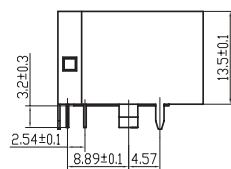
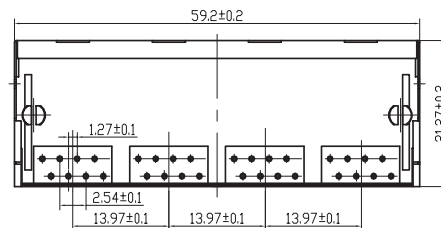
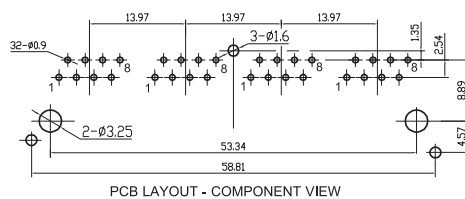
PACKAGING

- Tray

Order Code	Pins	Description
615 016 137 721	2 x 8P8C	2 x Modular Jack Horizontal Shielded with LED 1 (Green) / LED 2 (Yellow) & EMI Panel Fingers



Horizontal Shielded Ganged 4 Ports 8P8C Modular Jack Tab Down WR-MJ



MATERIAL

- Insulator material:
- Flammability rating
- Colour:
- Contact material:
- Contact type:
- Contact plating:
- Shielding:
- Quality class:

PBT
UL94-V0
Black
Copper alloy
Stamped
Selective gold
Bronze Ni Plated
500 mating cycles

ENVIRONMENTAL

- Operating temperature:
- Compliance:

-25 °C up to 85 °C
Lead free and RoHS

ELECTRICAL

- Current rating: 1.5 A
- Working voltage: 120 Vac
- Insulation resistance: >500 MOhm
- Dielectric withstanding voltage: 1 000 Vac/mn
- Contact resistance: 20 mOhm max
- System application: CAT 5 Compatible

SOLDERING

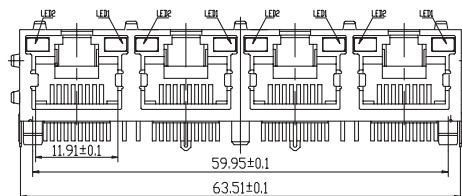
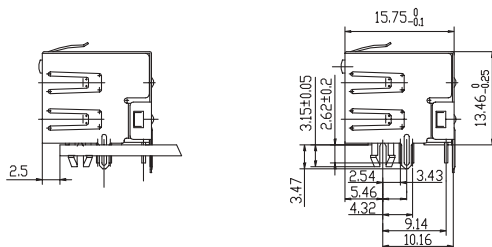
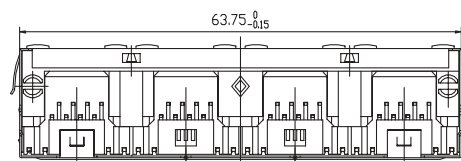
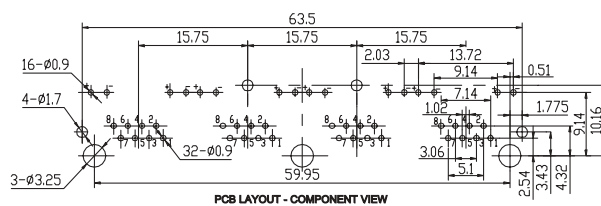
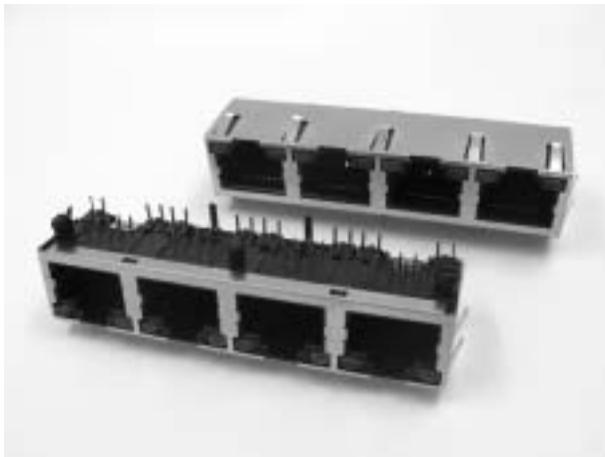
- Solder temperature: JEDEC lead free wave soldering

PACKAGING

- Tray

Order Code	Pins	Description
615 032 137 821	4 x 8P8C	4 x Modular Jack Horizontal Shielded Tab Down

Horizontal Shielded Ganged 4 Ports with LED & EMI Panel Finger 8P8C Modular Jack Tab Up WR-MJ



MATERIAL

- Insulator material: PBT
- Flammability rating: UL94-V0
- Colour: Black
- Contact material: Copper alloy
- Contact type: Stamped
- Contact plating: Selective gold
- Shielding: Bronze Ni Plated
- Quality class: 500 mating cycles

ENVIRONMENTAL

- Operating temperature: -25 °C up to 85 °C
- Compliance: Lead free and RoHS

ELECTRICAL

- Current rating: 1.5 A
- Working voltage: 120 Vac
- Insulation resistance: >500 MOhm
- Dielectric withstanding voltage: 1 000 Vac/mn
- Contact resistance: 20 mOhm max
- System application: CAT 5 Compatible

SOLDERING

- Solder temperature: JEDEC lead free wave soldering

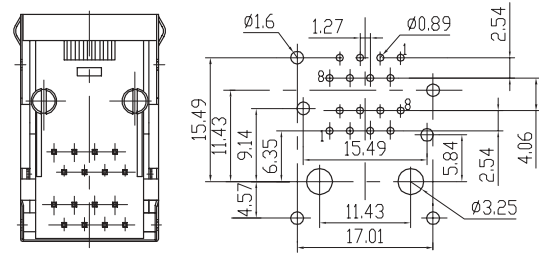
PACKAGING

- Tray

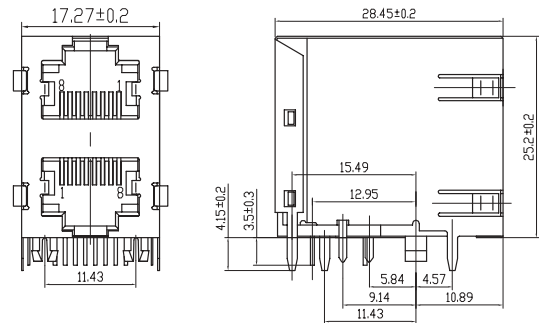
Order Code	Pins	LED 1	LED 2	LED Colour Status	Description
615 032 137 921	4 x 8P8C	Green	Yellow	-	4 x M.Jack Horizontal Shielded with LED & EMI Panel Finger

NEW

Horizontal Shielded Dual Stacked Port with EMI Panel Finger 8P8C Modular Jack Tab Up & Down WR-MJ



PCB LAYOUT - COMPONENT VIEW



MATERIAL

- Insulator material: PBT
- Flammability rating: UL94-V0
- Colour: Black
- Contact material: Copper alloy
- Contact type: Stamped
- Contact plating: Selective gold
- Shielding: Bronze Ni Plated
- Quality class: 500 mating cycles

ENVIRONMENTAL

- Operating temperature: -25 °C up to 85 °C
- Compliance: Lead free and RoHS

ELECTRICAL

- Current rating: 1.5 A
- Working voltage: 120 Vac
- Insulation resistance: >500 MOhm
- Dielectric withstanding voltage: 1 000 Vac/mn
- Contact resistance: 20 mOhm max
- System application: CAT 5 Compatible

SOLDERING

- Solder temperature: JEDEC lead free wave soldering

PACKAGING

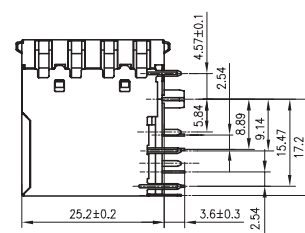
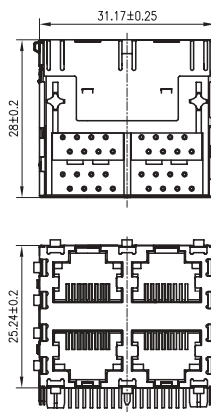
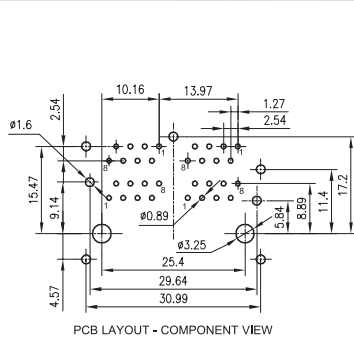
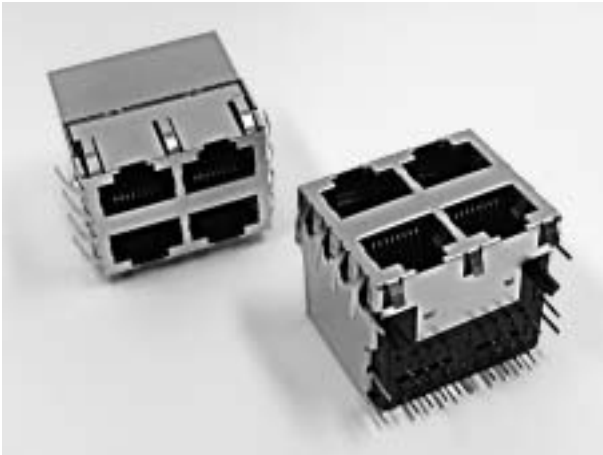
- Tray

12

Order Code	Pins	Description
615 016 240 521	2 x 8P8C	Modular Jack Horizontal Dual Stacked Port Shielded with EMI Panel Finger Tab Up & Down

NEW

Horizontal Shielded 2 x Dual Stacked Port with EMI Panel Finger 8P8C M. Jack Tab Up & Down WR-MJ



MATERIAL

- Insulator material:
- Flammability rating
- Colour:
- Contact material:
- Contact type:
- Contact plating:
- Shielding:
- Quality class:

PBT / PA66
UL94-V0
Black
Copper alloy
Stamped
Gold
Bronze Ni Plated
500 mating cycles

ENVIRONMENTAL

- Operating temperature:
- Compliance:

-25 °C up to 85 °C
Lead free and RoHS

ELECTRICAL

- Current rating: 1.5 A
- Working voltage: 120 Vac
- Insulation resistance: >500 MOhm
- Dielectric withstanding voltage: 1 000 Vac/mn
- Contact resistance: 20 mOhm max
- System application: CAT 5 Compatible

SOLDERING

- Solder temperature: JEDEC lead free wave soldering

PACKAGING

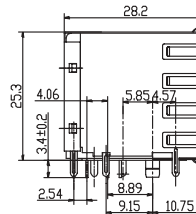
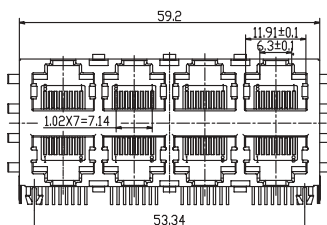
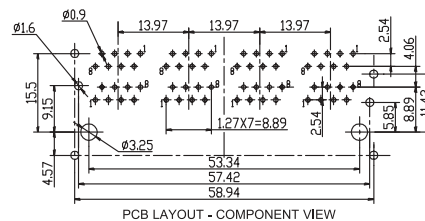
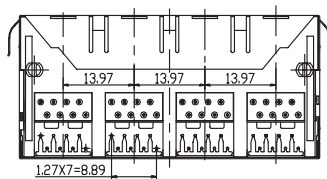
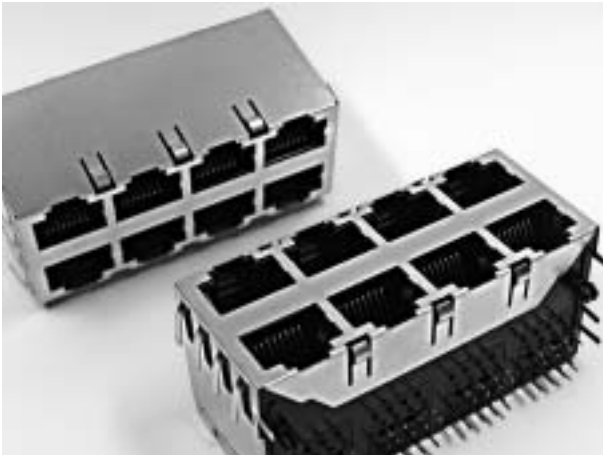
- Tray

12

Order Code	Pins	Description
615 032 243 321	2 x 2 x 8P8C	Modular Jack Horizontal 2 x Dual Stacked Port Shielded with EMI Panel Finger Tab Up & Down

NEW

Horizontal Shielded 2 x 4 Stacked Port with EMI Panel Finger 8P8C Modular Jack Tab Up & Down WR-MJ



MATERIAL

- Insulator material: PBT
- Flammability rating: UL94-V0
- Colour: Black
- Contact material: Copper alloy
- Contact type: Stamped
- Contact plating: Selective gold
- Shielding: Bronze Ni Plated
- Quality class: 500 mating cycles

ENVIRONMENTAL

- Operating temperature: -25 °C up to 85 °C
- Compliance: Lead free and RoHS

ELECTRICAL

- Current rating: 1.5 A
- Working voltage: 120 Vac
- Insulation resistance: >500 MOhm
- Dielectric withstanding voltage: 1 000 Vac/mn
- Contact resistance: 20 mOhm max
- System application: CAT 5 Compatible

SOLDERING

- Solder temperature: JEDEC lead free wave soldering

PACKAGING

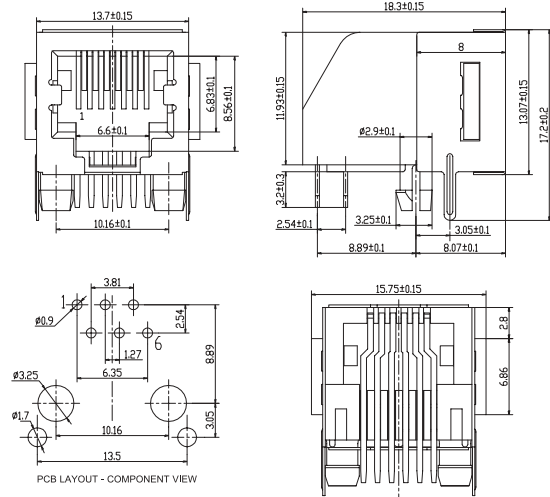
- Tray

12

Order Code	Pins	Description
615 064 243 321	2 x 4 x 8P8C	Modular Jack Horizontal 2 x Four Stacked Port Shielded with EMI Panel Finger Tab Up & Down

NEW

Horizontal 6P6C Half Shielded Modular Jack Tab Down WR-MJ



MATERIAL

- Insulator material: PBT
- Flammability rating: UL94-V0
- Colour: Black
- Contact material: Copper alloy
- Contact type: Stamped
- Contact plating: Selective gold
- Shielding: Bronze Ni Plated
- Quality class: 500 mating cycles

ENVIRONMENTAL

- Operating temperature: -25 °C up to 85 °C
- Compliance: Lead free and RoHS

ELECTRICAL

- Current rating: 1.5 A
- Working voltage: 120 Vac
- Insulation resistance: >500 MOhm
- Dielectric withstanding voltage: 1 000 Vac/mn
- Contact resistance: 20 mOhm max

SOLDERING

- Solder temperature: JEDEC lead free wave soldering

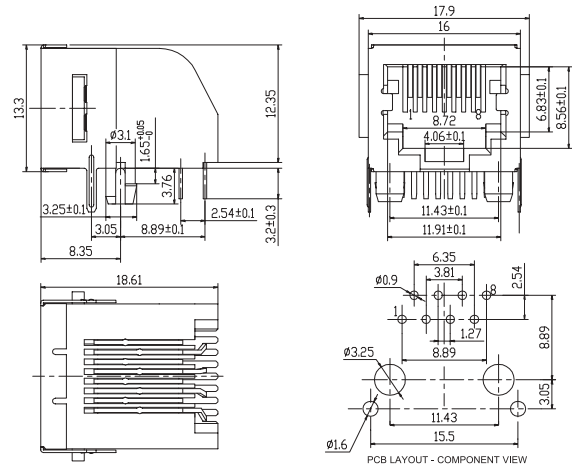
PACKAGING

- Tray

Order Code	Pins	Description
615 006 143 421	6P6C	Modular Jack Horizontal Half Shielded Tab Down

NEW

Horizontal Half Shielded 8P8C Modular Jack Tab Down WR-MJ



MATERIAL

- Insulator material: PBT
- Flammability rating: UL94-V0
- Colour: Black
- Contact material: Copper alloy
- Contact type: Stamped
- Contact plating: Selective gold
- Shielding: Bronze Ni Plated
- Quality class: 500 mating cycles

ENVIRONMENTAL

- Operating temperature: -25 °C up to 85 °C
- Compliance: Lead free and RoHS

ELECTRICAL

- Current rating: 1.5 A
- Working voltage: 120 Vac
- Insulation resistance: >500 MOhm
- Dielectric withstanding voltage: 1 000 Vac/mn
- Contact resistance: 20 mOhm max
- System application: CAT 5 Compatible

SOLDERING

- Solder temperature: JEDEC lead free wave soldering

PACKAGING

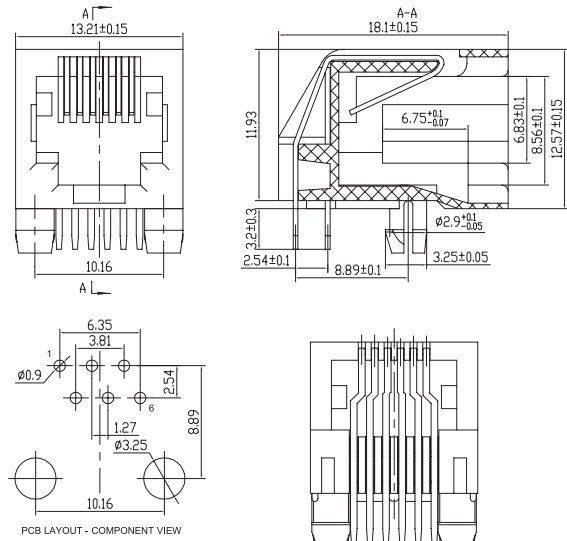
- Tray

12

Order Code	Pins	Description
615 008 143 521	8P8C	Modular Jack Horizontal Half Shielded Tab Down

NEW

Horizontal Plastic 6P6C Modular Jack Tab Down WR-MJ



MATERIAL

- Insulator material: PBT
- Flammability rating: UL94-V0
- Colour: Black
- Contact material: Copper alloy
- Contact type: Stamped
- Contact plating: Selective gold
- Quality class: 500 mating cycles

ENVIRONMENTAL

- Operating temperature: -25 °C up to 85 °C
- Compliance: Lead free and RoHS

ELECTRICAL

- Current rating: 1.5 A
- Working voltage: 120 Vac
- Insulation resistance: >500 MOhm
- Dielectric withstanding voltage: 1 000 Vac/mn
- Contact resistance: 20 mOhm max

SOLDERING

- Solder temperature: JEDEC lead free wave soldering

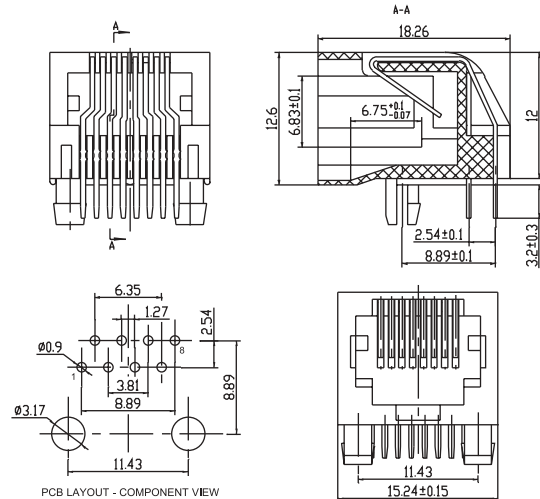
PACKAGING

- Tray

Order Code	Pins	Description
615 006 143 621	6P6C	Modular Jack Horizontal Plastic Tab Down

NEW

Horizontal Plastic 8P8C Modular Jack Tab Down WR-MJ



MATERIAL

- Insulator material: PBT
- Flammability rating: UL94-V0
- Colour: Black
- Contact material: Copper alloy
- Contact type: Stamped
- Contact plating: Selective gold
- Quality class: 500 mating cycles

ENVIRONMENTAL

- Operating temperature: -25 °C up to 85 °C
- Compliance: Lead free and RoHS

ELECTRICAL

- Current rating: 1.5 A
- Working voltage: 120 Vac
- Insulation resistance: >500 MOhm
- Dielectric withstanding voltage: 1 000 Vac/mn
- Contact resistance: 20 mOhm max

SOLDERING

- Solder temperature: JEDEC lead free wave soldering

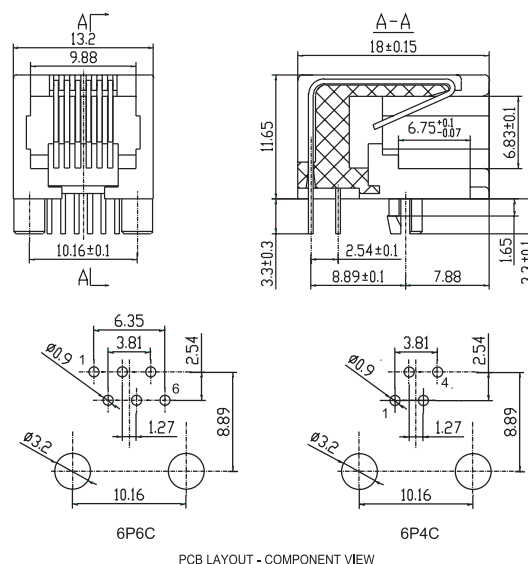
PACKAGING

- Tray

Order Code	Pins	Description
615 008 143 721	8P8C	Modular Jack Horizontal Plastic Tab Down

NEW

Horizontal Plastic 6PxC Modular Jack Tab Down WR-MJ



MATERIAL

- Insulator material: PBT
- Flammability rating: UL94-V0
- Colour: Black
- Contact material: Copper alloy
- Contact type: Stamped
- Contact plating: Selective gold
- Quality class: 500 mating cycles

ENVIRONMENTAL

- Operating temperature: -25 °C up to 85 °C
- Compliance: Lead free and RoHS

ELECTRICAL

- Current rating: 1.5 A
- Working voltage: 120 Vac
- Insulation resistance: >500 MOhm
- Dielectric withstanding voltage: 1 000 Vac/mn
- Contact resistance: 20 mOhm max

SOLDERING

- Solder temperature: JEDEC lead free wave soldering

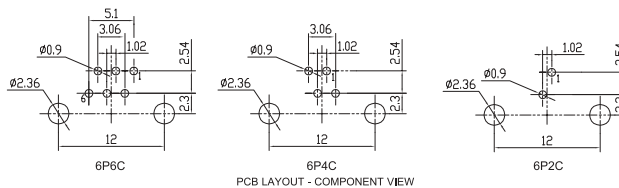
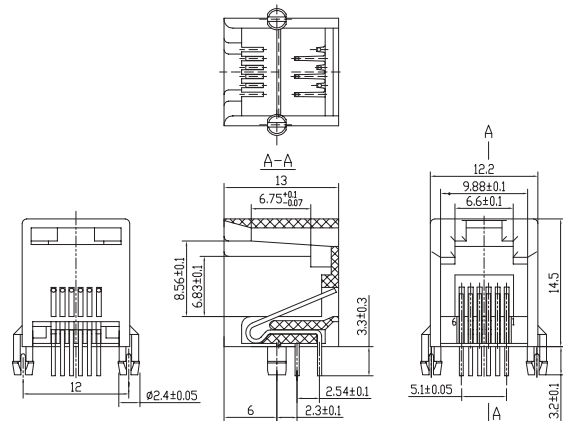
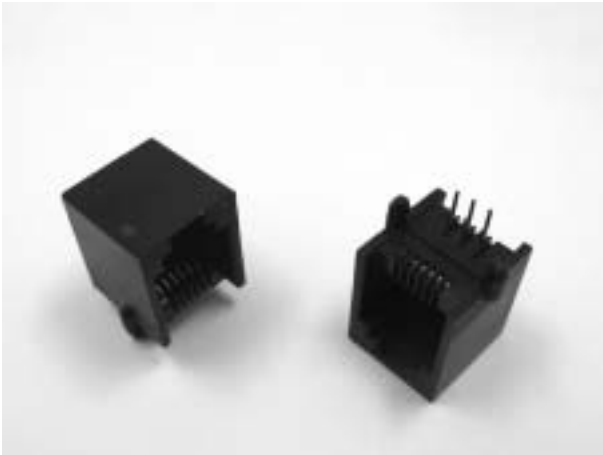
PACKAGING

- Tray

Order Code	Pins	Description
615 004 141 121	6P4C	Modular Jack Horizontal Plastic Tab Down
615 006 141 121	6P6C	Modular Jack Horizontal Plastic Tab Down



Horizontal Plastic 6PxC Modular Jack Tab Up WR-MJ



MATERIAL

- Insulator material:
- Flammability rating
- Colour:
- Contact material:
- Contact type:
- Contact plating:
- Quality class:

PBT
UL94-V0
Black
Copper alloy
Stamped
Selective gold
500 mating cycles

ENVIRONMENTAL

- Operating temperature:
- Compliance:

-25 °C up to 85 °C
Lead free and RoHS

ELECTRICAL

- Current rating: 1.5 A
- Working voltage: 120 Vac
- Insulation resistance: >500 MOhm
- Dielectric withstanding voltage: 1 000 Vac/mn
- Contact resistance: 20 mOhm max

SOLDERING

- Solder temperature: JEDEC lead free wave soldering

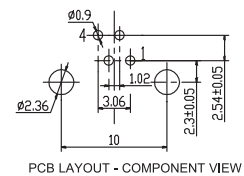
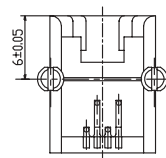
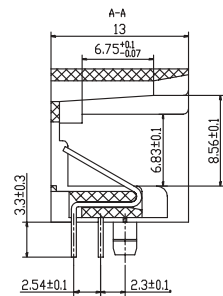
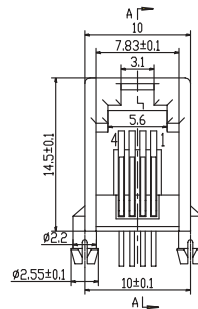
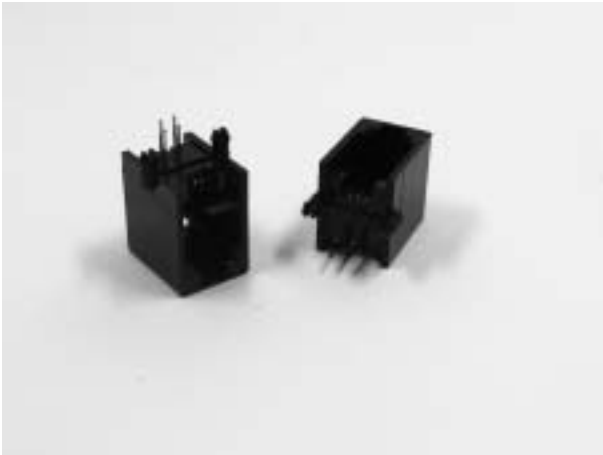
PACKAGING

- Tray

Order Code	Pins	Description
615 002 138 421	6P2C	Modular Jack Horizontal Plastic Tab Up
615 004 138 421	6P4C	Modular Jack Horizontal Plastic Tab Up
615 006 138 421	6P6C	Modular Jack Horizontal Plastic Tab Up

NEW

Horizontal Plastic 4P4C Modular Jack Tab Up WR-MJ



MATERIAL

- Insulator material: PBT
- Flammability rating: UL94-V0
- Colour: Black
- Contact material: Copper alloy
- Contact type: Stamped
- Contact plating: Selective gold
- Quality class: 500 mating cycles

ENVIRONMENTAL

- Operating temperature: -25 °C up to 85 °C
- Compliance: Lead free and RoHS

ELECTRICAL

- Current rating: 1.5 A
- Working voltage: 120 Vac
- Insulation resistance: >500 MOhm
- Dielectric withstanding voltage: 1 000 Vac/mn
- Contact resistance: 20 mOhm max

SOLDERING

- Solder temperature: JEDEC lead free wave soldering

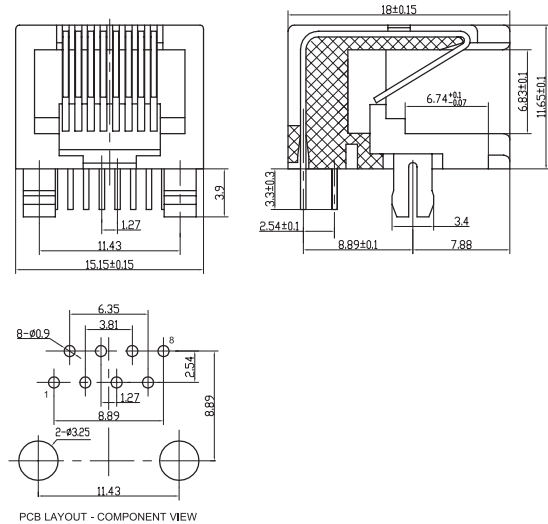
PACKAGING

- Tray

Order Code	Pins	Description
615 004 143 821	4P4C	Modular Jack Horizontal Plastic Tab Up



Horizontal Plastic 8P8C Modular Jack Tab Down WR-MJ



MATERIAL

- Insulator material: PBT
- Flammability rating: UL94-V0
- Colour: Black
- Contact material: Copper alloy
- Contact type: Stamped
- Contact plating: Selective gold
- Quality class: 500 mating cycles

ENVIRONMENTAL

- Operating temperature: -25 °C up to 85 °C
- Compliance: Lead free and RoHS

ELECTRICAL

- Current rating: 1.5 A
- Working voltage: 120 Vac
- Insulation resistance: >500 MOhm
- Dielectric withstanding voltage: 1 000 Vac/mn
- Contact resistance: 20 mOhm max

SOLDERING

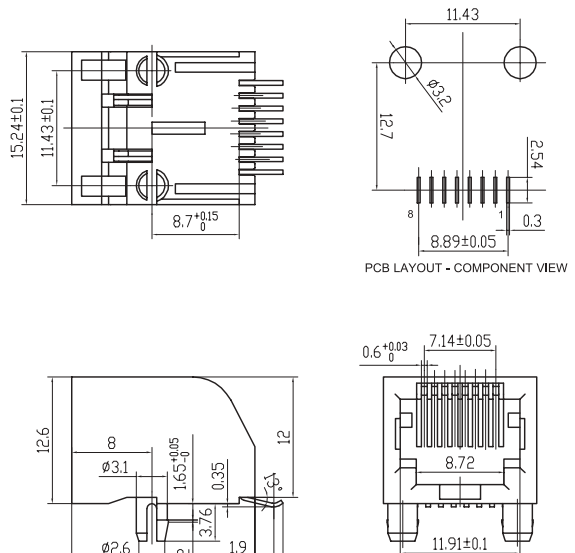
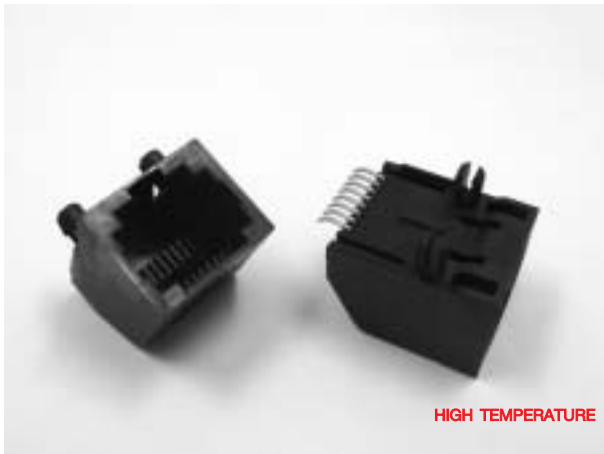
- Solder temperature: JEDEC lead free wave soldering

PACKAGING

- Tray

Order Code	Pins	Description
615 008 137 121	8P8C	Horizontal Plastic Modular Jack Tab Down

Horizontal Plastic SMT 8P8C Modular Jack Tab Down WR-MJ



MATERIAL

- Insulator material: PA46
- Flammability rating: UL94-V0
- Colour: Black
- Contact material: Copper alloy
- Contact type: Stamped
- Contact plating: Selective gold
- Quality class: 500 mating cycles

ENVIRONMENTAL

- Operating temperature: -25 °C up to 85 °C
- Compliance: Lead free and RoHS

ELECTRICAL

- Current rating: 1.5 A
- Working voltage: 120 Vac
- Insulation resistance: >500 MOhm
- Dielectric withstanding voltage: 1 000 Vac/mn
- Contact resistance: 20 mOhm max

SOLDERING

- Solder temperature: JEDEC lead free reflow soldering

PACKAGING

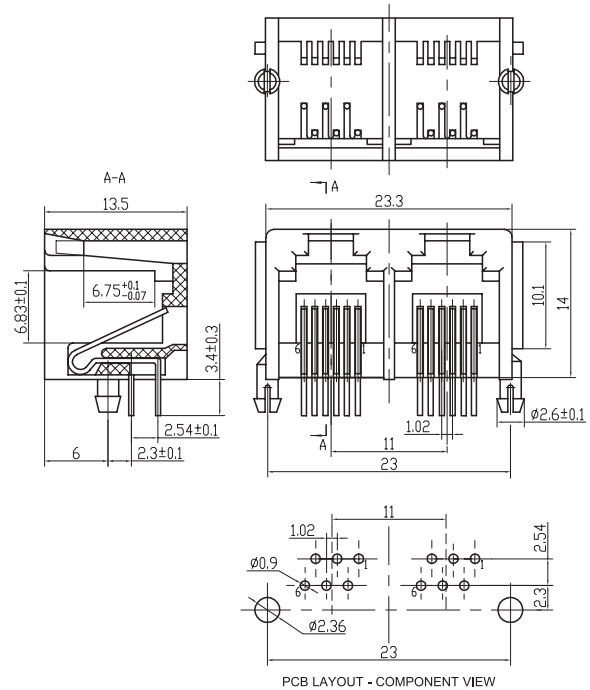
- Tray

Order Code	Pins	Description
634 008 137 221	8P8C	SMT Horizontal Plastic Modular Jack Tab Down



NEW

Horizontal Plastic Dual Port 6P6C Modular Jack Tab Up WR-MJ



MATERIAL

- Insulator material: PBT
- Flammability rating: UL94-V0
- Colour: Black
- Contact material: Copper alloy
- Contact type: Stamped
- Contact plating: Selective gold
- Quality class: 500 mating cycles

ENVIRONMENTAL

- Operating temperature: -25 °C up to 85 °C
- Compliance: Lead free and RoHS

ELECTRICAL

- Current rating: 1.5 A
- Working voltage: 120 Vac
- Insulation resistance: >500 MOhm
- Dielectric withstanding voltage: 1 000 Vac/mn
- Contact resistance: 20 mOhm max

SOLDERING

- Solder temperature: JEDEC lead free wave soldering

PACKAGING

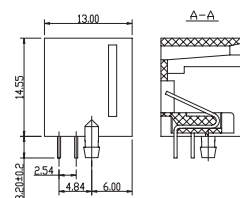
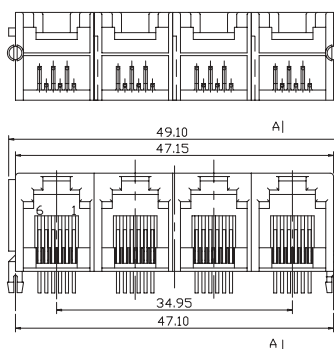
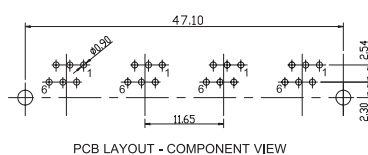
- Tray

12

Order Code	Pins	Description
615 012 143 921	2 x 6P6C	Plastic Horizontal Dual Port Modular Jack Tab Up

NEW

Horizontal Plastic 4 Port 6P6C Modular Jack Tab Up WR-MJ



MATERIAL

- Insulator material:
- Flammability rating
- Colour:
- Contact material:
- Contact type:
- Contact plating:
- Quality class:

PBT
UL94-V0
Black
Copper alloy
Stamped
Selective gold
500 mating cycles

ENVIRONMENTAL

- Operating temperature:
- Compliance:

-25 °C up to 85 °C
Lead free and RoHS

ELECTRICAL

- Current rating:
- Working voltage:
- Insulation resistance:
- Dielectric withstanding voltage:
- Contact resistance:

1.5 A
120 Vac
>500 MOhm
1 000 Vac/mn
20 mOhm max

SOLDERING

- Solder temperature: JEDEC lead free wave soldering

PACKAGING

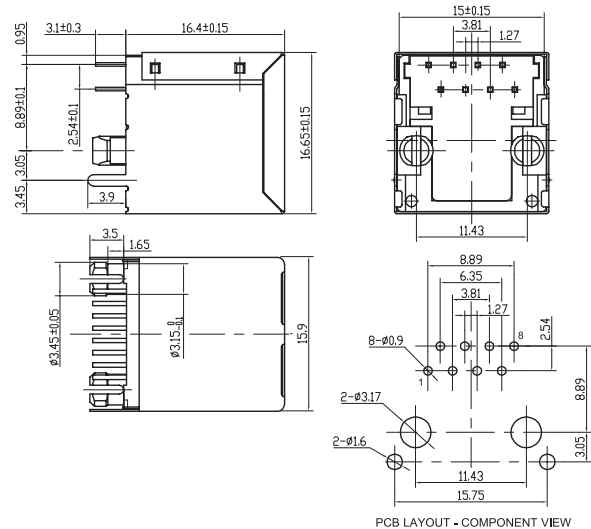
- Tray

12

Order Code	Pins	Description
615 024 143 921	4 x 6P6C	Plastic Horizontal Four Port Modular Jack Tab Up



Vertical Shielded 8P8C Front Post Modular Jack WR-MJ



MATERIAL

- Insulator material: PBT
- Flammability rating: UL94-V0
- Colour: Black
- Contact material: Copper alloy
- Contact type: Stamped
- Contact plating: Selective gold
- Shielding: Bronze Ni Plated
- Quality class: 500 mating cycles

ENVIRONMENTAL

- Operating temperature: -25 °C up to 85 °C
- Compliance: Lead free and RoHS

ELECTRICAL

- Current rating: 1.5 A
- Working voltage: 120 Vac
- Insulation resistance: >500 MOhm
- Dielectric withstanding voltage: 1 000 Vac/mn
- Contact resistance: 20 mOhm max
- System application: CAT 5 Compatible

SOLDERING

- Solder temperature: JEDEC lead free wave soldering

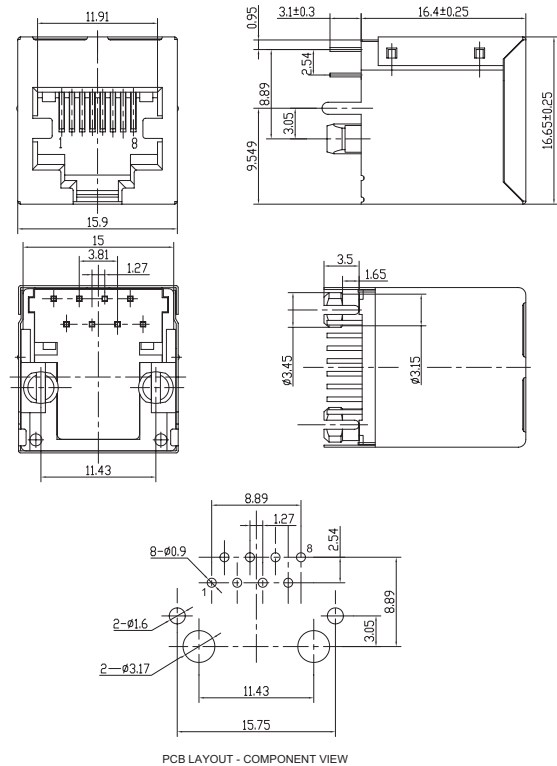
PACKAGING

- Tray

Order Code	Pins	Description
615 008 138 221	8P8C	Shielded Vertical Modular Jack

NEW

Vertical Shielded 8P8C Rear Post Modular Jack WR-MJ



MATERIAL

- Insulator material: PBT
- Flammability rating: UL94-V0
- Colour: Black
- Contact material: Copper alloy
- Contact type: Stamped
- Contact plating: Selective gold
- Shielding: Bronze Ni Plated
- Quality class: 500 mating cycles

ENVIRONMENTAL

- Operating temperature: -25 °C up to 85 °C
- Compliance: Lead free and RoHS

ELECTRICAL

- Current rating: 1.5 A
- Working voltage: 120 Vac
- Insulation resistance: >500 MOhm
- Dielectric withstanding voltage: 1 000 Vac/mn
- Contact resistance: 20 mOhm max
- System application: CAT 5 Compatible

SOLDERING

- Solder temperature: JEDEC lead free wave soldering

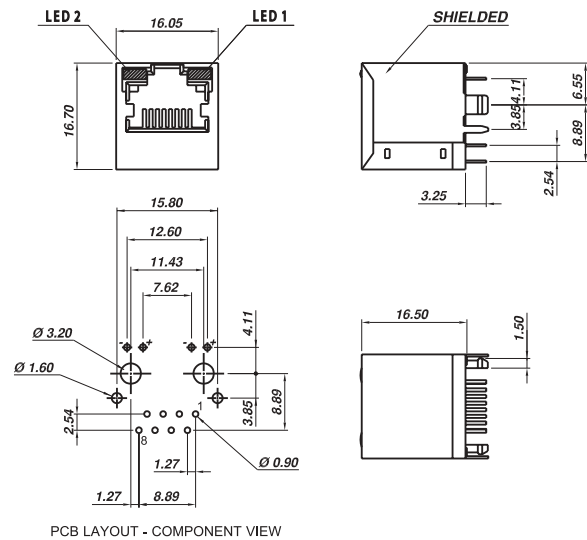
PACKAGING

- Tray

Order Code	Pins	Description
615 008 140 421	8P8C	Shielded Vertical Modular Jack



Vertical Shielded with LED 8P8C Modular Jack WR-MJ



MATERIAL

- Insulator material: PBT
- Flammability rating: UL94-V0
- Colour: Black
- Contact material: Copper alloy
- Contact type: Stamped
- Contact plating: Selective gold
- Shielding: Bronze Ni Plated
- Quality class: 500 mating cycles

ENVIRONMENTAL

- Operating temperature: -25 °C up to 85 °C
- Compliance: Lead free and RoHS

ELECTRICAL

- Current rating: 1.5 A
- Working voltage: 120 Vac
- Insulation resistance: >500 MOhm
- Dielectric withstanding voltage: 1 000 Vac/mn
- Contact resistance: 20 mOhm max
- System application: CAT 5 Compatible

SOLDERING

- Solder temperature: JEDEC lead free wave soldering

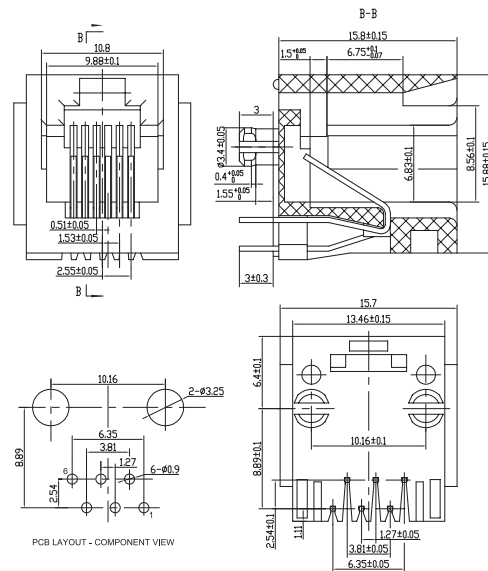
PACKAGING

- Tray

Order Code	Pins	LED 1	LED 2	LED Colour Status	Description
615 008 138 321	8P8C	Green	Yellow	-	Vertical Shielded Modular Jack



Vertical Plastic 6P6C Modular Jack with Ears WR-MJ



MATERIAL

- Insulator material: PBT
- Flammability rating: UL94-V0
- Colour: Black
- Contact material: Copper alloy
- Contact type: Stamped
- Contact plating: Selective gold
- Quality class: 500 mating cycles

ENVIRONMENTAL

- Operating temperature: -25 °C up to 85 °C
- Compliance: Lead free and RoHS

ELECTRICAL

- Current rating: 1.5 A
- Working voltage: 120 Vac
- Insulation resistance: >500 MOhm
- Dielectric withstanding voltage: 1 000 Vac/mn
- Contact resistance: 20 mOhm max

SOLDERING

- Solder temperature: JEDEC lead free wave soldering

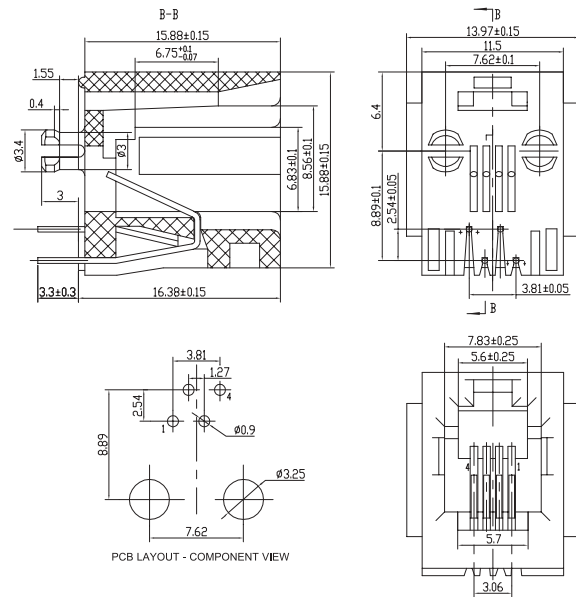
PACKAGING

- Tray

Order Code	Pins	Description
615 006 138 521	6P6C	Vertical Plastic Modular Jack

NEW

Vertical Plastic 4P4C Modular Jack with Ears WR-MJ



MATERIAL

- Insulator material: PBT
- Flammability rating: UL94-V0
- Colour: Black
- Contact material: Copper alloy
- Contact type: Stamped
- Contact plating: Selective gold
- Quality class: 500 mating cycles

ENVIRONMENTAL

- Operating temperature: -25 °C up to 85 °C
- Compliance: Lead free and RoHS

ELECTRICAL

- Current rating: 1.5 A
- Working voltage: 120 Vac
- Insulation resistance: >500 MOhm
- Dielectric withstanding voltage: 1 000 Vac/mn
- Contact resistance: 20 mOhm max

SOLDERING

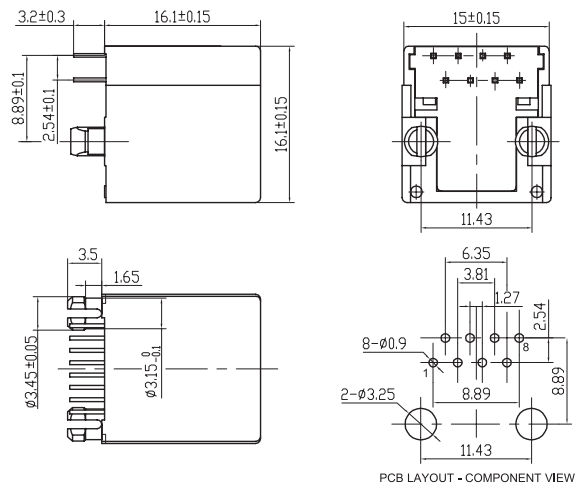
- Solder temperature: JEDEC lead free wave soldering

PACKAGING

- Tray

Order Code	Pins	Description
615 004 144 021	4P4C	Vertical Plastic Modular Jack

Vertical Plastic 8P8C Modular Jack WR-MJ



MATERIAL

- Insulator material: PBT
- Flammability rating: UL94-V0
- Colour: Black
- Contact material: Copper alloy
- Contact type: Stamped
- Contact plating: Selective gold
- Quality class: 500 mating cycles

ENVIRONMENTAL

- Operating temperature: -25 °C up to 85 °C
- Compliance: Lead free and RoHS

ELECTRICAL

- Current rating: 1.5 A
- Working voltage: 120 Vac
- Insulation resistance: >500 MOhm
- Dielectric withstanding voltage: 1 000 Vac/mn
- Contact resistance: 20 mOhm max

SOLDERING

- Solder temperature: JEDEC lead free wave soldering

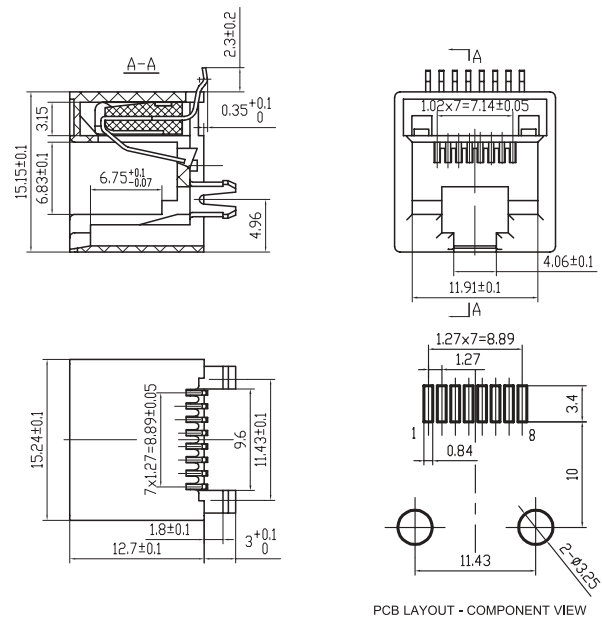
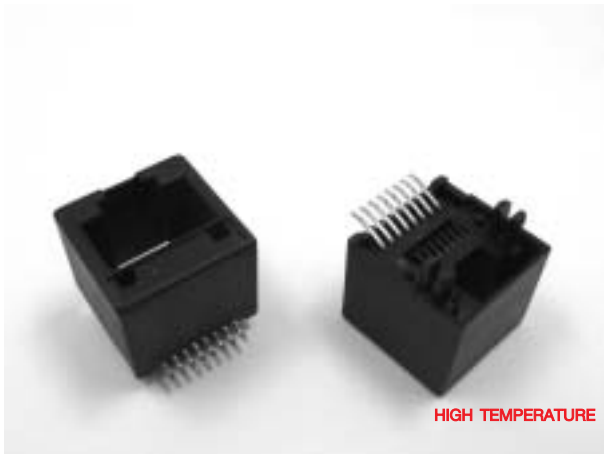
PACKAGING

- Tray

Order Code	Pins	Description
615 008 138 021	8P8C	Vertical Plastic Modular Jack



Vertical Plastic 8P8C SMT Modular Jack WR-MJ



PCB LAYOUT - COMPONENT VIEW



MATERIAL

- Insulator material: PA46
- Flammability rating: UL94-V0
- Colour: Black
- Contact material: Copper alloy
- Contact type: Stamped
- Contact plating: Selective gold
- Quality class: 500 mating cycles

ENVIRONMENTAL

- Operating temperature: -25 °C up to 85 °C
- Compliance: Lead free and RoHS

ELECTRICAL

- Current rating: 1.5 A
- Working voltage: 120 Vac
- Insulation resistance: >500 MOhm
- Dielectric withstanding voltage: 1 000 Vac/mn
- Contact resistance: 20 mOhm max

SOLDERING

- Solder temperature: JEDEC lead free reflow soldering

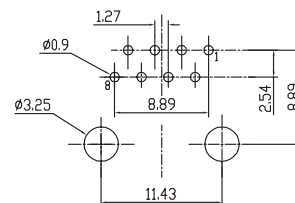
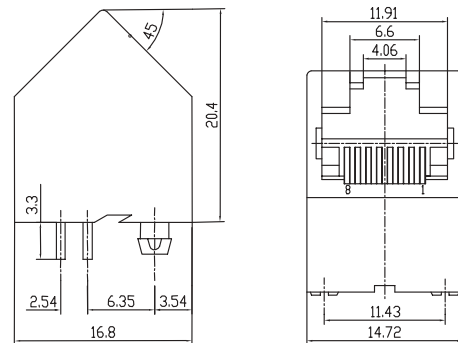
PACKAGING

- Tray

Order Code	Pins	Description
634 008 138 121	8P8C	Vertical Plastic SMT Modular Jack

NEW

45° Plastic 8P8C Modular Jack WR-MJ



PCB LAYOUT - COMPONENT VIEW



MATERIAL

- Insulator material: PBT
- Flammability rating: UL94-V0
- Colour: White
- Contact material: Copper alloy
- Contact type: Stamped
- Contact plating: Selective gold
- Quality class: 500 mating cycles

ENVIRONMENTAL

- Operating temperature: -25 °C up to 85 °C
- Compliance: Lead free and RoHS

ELECTRICAL

- Current rating: 1.5 A
- Working voltage: 120 Vac
- Insulation resistance: >500 MOhm
- Dielectric withstanding voltage: 1 000 Vac/mn
- Contact resistance: 20 mOhm max

SOLDERING

- Solder temperature: JEDEC lead free wave soldering

PACKAGING

- Tray

Order Code	Pins	Description
615 008 142 521	8P8C	45° Plastic Modular Jack

Modular Jack & Communication Connector Design Kit



Order Code 615 001

Design Kit WR-MJ

All the parts of the assortment are detailed below

Note: Modular Jack design kit is the same that WR-COM chapter. WR-COM see chapter 11



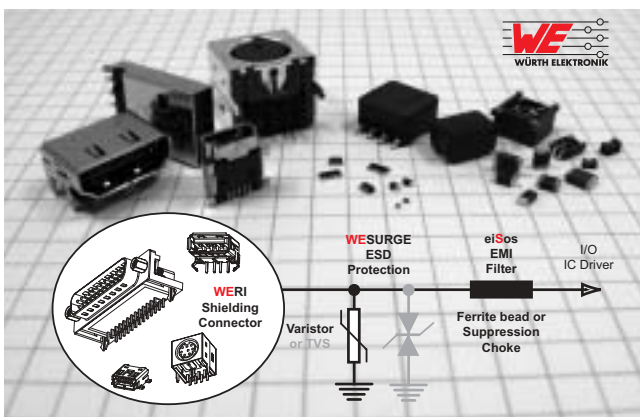
Modular Jack & Communication Connector Design Kit

P/N in the Kit	Pins	Description
614 004 160 21	4	USB Type A Receptacle Horizontal Single THT
614 008 260 21	2 x 4	USB Type A Receptacle Horizontal Dual THT
615 016 338 621	(2 x 4) + 8	USB Type A Shielded Receptacle Horizontal Triple THT + RJ45 With LED
614 004 134 726	4	USB Type A Receptacle Up right Single THT
614 004 135 023	4	USB Type A Receptacle Vertical Single THT
614 008 235 023	2 x 4	USB Type A Receptacle Vertical Dual THT
629 004 160 21	4	USB Type A Receptacle Horizontal Single SMT
629 004 113 921	4	USB Type A Plug Horizontal Single SMT
614 004 161 21	4	USB Type B Receptacle Horizontal Single THT
629 104 161 21	4	USB Type B Receptacle Horizontal Single SMT
614 004 133 21	4	USB Type B Receptacle Vertical Single THT
651 005 136 521	5	Mini USB Type B Receptacle Horizontal Single THT
651 005 161 21	5	Mini USB Type B Receptacle Horizontal Single SMT
651 005 136 421	5	Mini USB Type B Receptacle Vertical Single THT
629 105 136 821	5	Micro USB Type B Receptacle Horizontal Single SMT With peg
631 0xx 112 021	3 to 8	Mini DIN Shielded Receptacle Horizontal Single Black
631 006 136 x21	6	Mini DIN Shielded Receptacle Horizontal Single Green or Purple
631 012 212 021	2 x 5	Mini DIN Shielded Receptacle Horizontal Dual Green & Purple
631 0xx 110 21	3 to 8	Mini DIN Unshielded Receptacle Horizontal Single Black
685 119 134 923	19	HDMI Shielded Receptacle Horizontal SMT
685 119 135 725	19	HDMI Shielded Receptacle Horizontal SMT With screw
685 119 136 923	19	Mini HDMI Shielded Receptacle Horizontal SMT
675 024 321 221	24 + 1	DVI Shielded Receptacle Horizontal Digital THT With screw
675 024 321 321	24 +5	DVI Shielded Receptacle Horizontal Analogic & digital THT With screw

P/N in the Kit	Pins	Description
615 008 137 121	8	RJ45 Unshielded Receptacle Horizontal Single THT
634 008 137 221	8	RJ45 Unshielded Receptacle Horizontal Single SMT
615 008 142 21	8	RJ45 Shielded Receptacle Horizontal Single THT
615 008 137 421	8	RJ45 Shielded Receptacle Horizontal Single THT EMI + LED
634 008 137 521	8	RJ45 Shielded Receptacle Horizontal Single SMT EMI + LED
615 016 137 621	2 x 8	RJ45 Shielded Receptacle Horizontal Double THT
615 016 137 721	2 x 8	RJ45 Shielded Receptacle Horizontal Double THT EMI + LED
615 032 137 821	4 x 8	RJ45 Shielded Receptacle Horizontal Four THT
615 032 137 921	4 x 8	RJ45 Shielded Receptacle Horizontal Four THT EMI + LED
615 008 138 021	8	RJ45 Unshielded Receptacle Vertical Single THT
634 008 138 121	8	RJ45 Unshielded Receptacle Vertical Single SMT
615 008 138 221	8	RJ45 Shielded Receptacle Vertical Single THT
615 008 138 321	8	RJ45 Shielded Receptacle Vertical Single THT LED
615 006 138 421	6	RJ11 Unshielded Receptacle Horizontal Single THT Tab Up
615 006 138 521	6	RJ11 Unshielded Receptacle Vertical Single THT

Notes:

Würth Elektronik has understood the requirements of design engineers offering also ESD and EMI suppression parts for its communication connectors. In the EMC labs customers are often faced with unsatisfied protection of its designs due to the rigorous tests against ESD and EMI.





Related Products

- Recommended parts for LAN transforming
LAN Transformer 10/100 BaseT WE-LAN e.g. 749 010 012
LAN Transformer Gigabit WE-LAN e.g. 749 020 010
- Recommended parts for EMI suppression
Chip Bead Ferrites WE-CBF e.g. 742 792 040 with 600Ohm in size 0805
Common Mode Chokes WE-CNSW e.g. 744 232 222 with 2200Ohm
- Recommended parts for ESD suppression
ESD Suppressor WE-VE "ULC" e.g. 823 07 050 029 with 0.2pF in size 0402
TVS Diodes WE-TVS e.g. 824 015 with 4 I/O lines + VDD protection

Looking for pricing, stock, or lifecycle information?

Click below to explore more details on WIN SOURCE:

-  [View 61500814221 on WIN SOURCE](#)
-  [Wurth Electronics Inc Information](#)

Optimize Your Supply Chain with WIN SOURCE Solutions

-  Global Sourcing Solution
-  Obsolete Management
-  Cost Control Management
-  Shortage Management
-  Alternative Solution
-  Excess Inventory Management