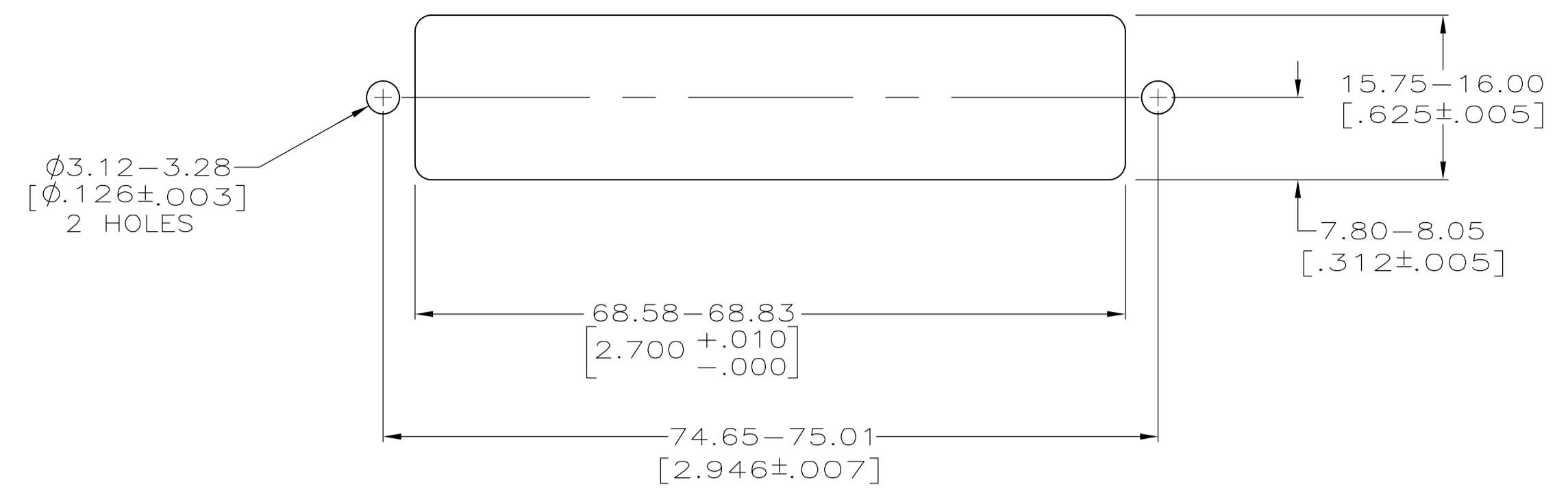




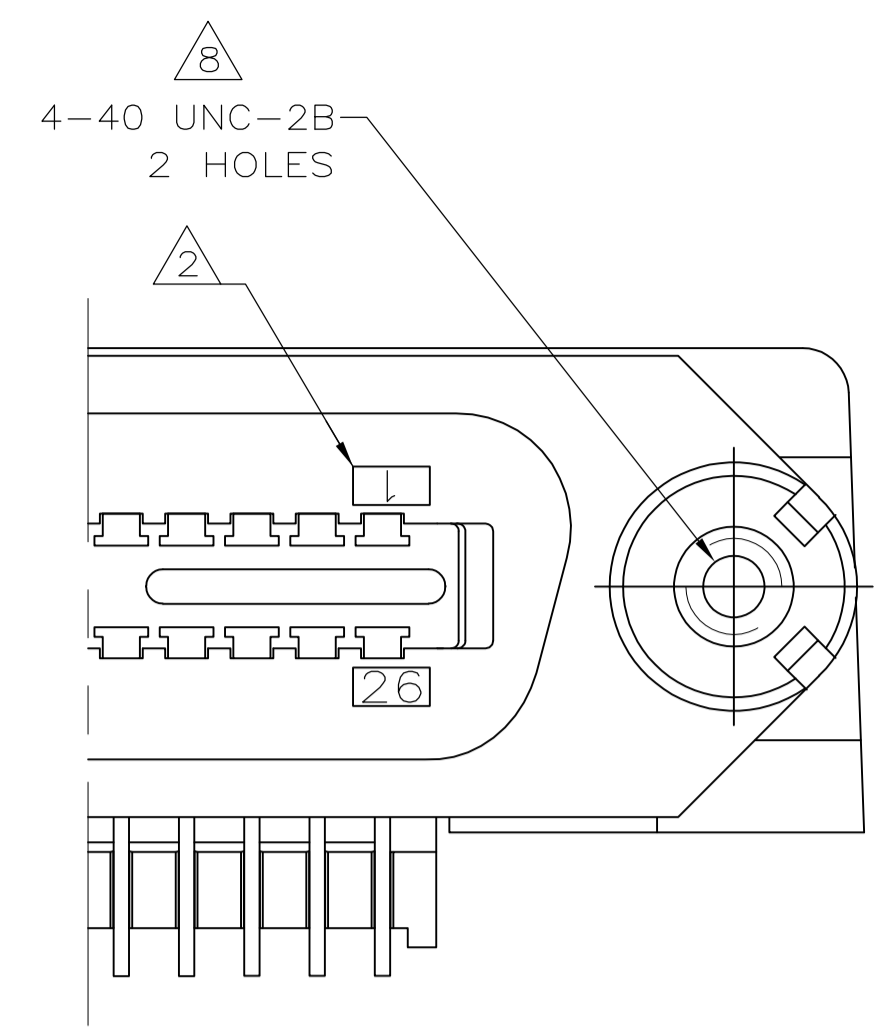
THE DATASHEET OF
552725-1



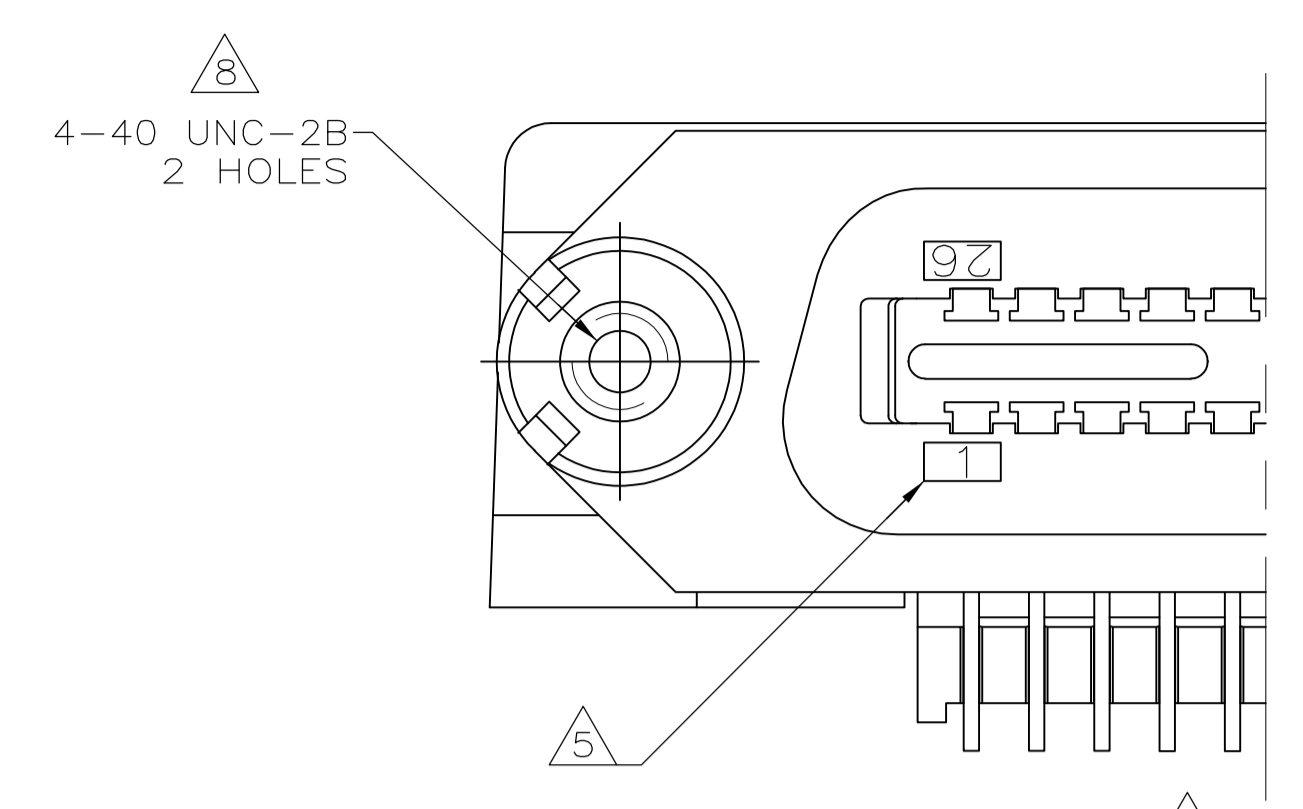
LOC	DIST	REVISIONS			
GP	00	REV	DESCRIPTION	DATE	BY
E1	REVISED PER	ECO-11-005033		23MAR11	RK HMR



SUGGESTED REAR PANEL MOUNTING CUTOUT DIMENSIONS SCALE 2:1

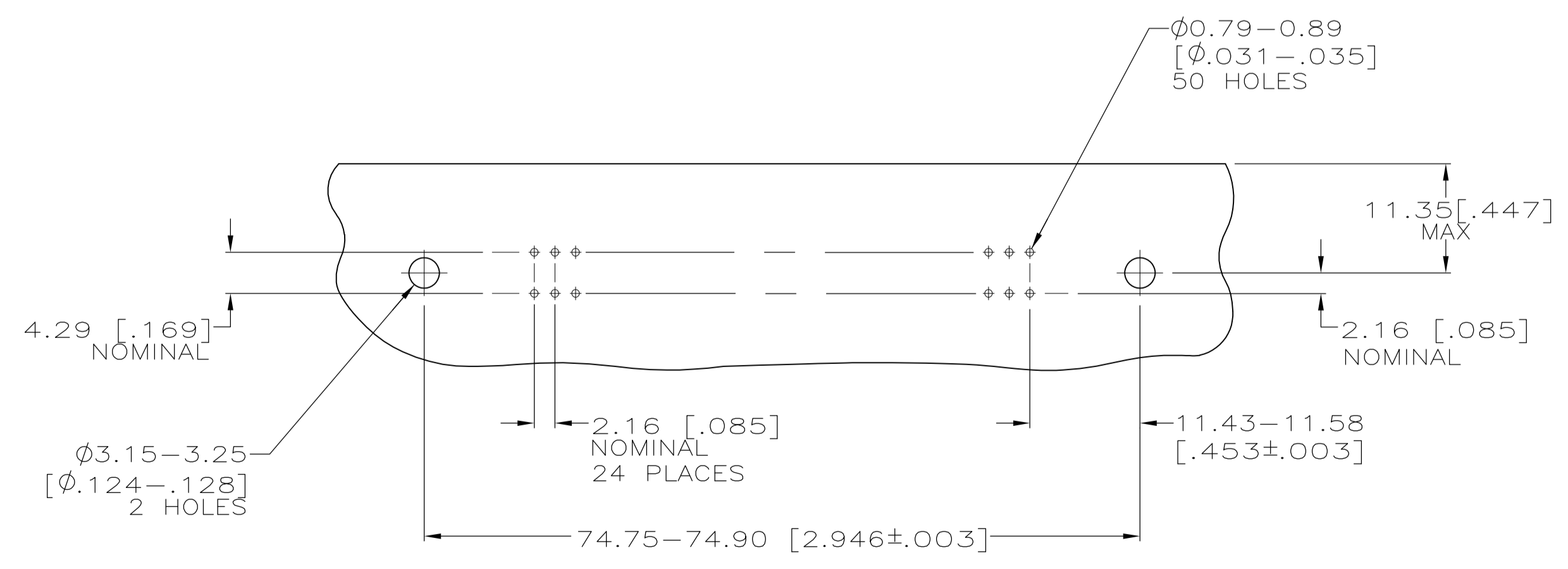
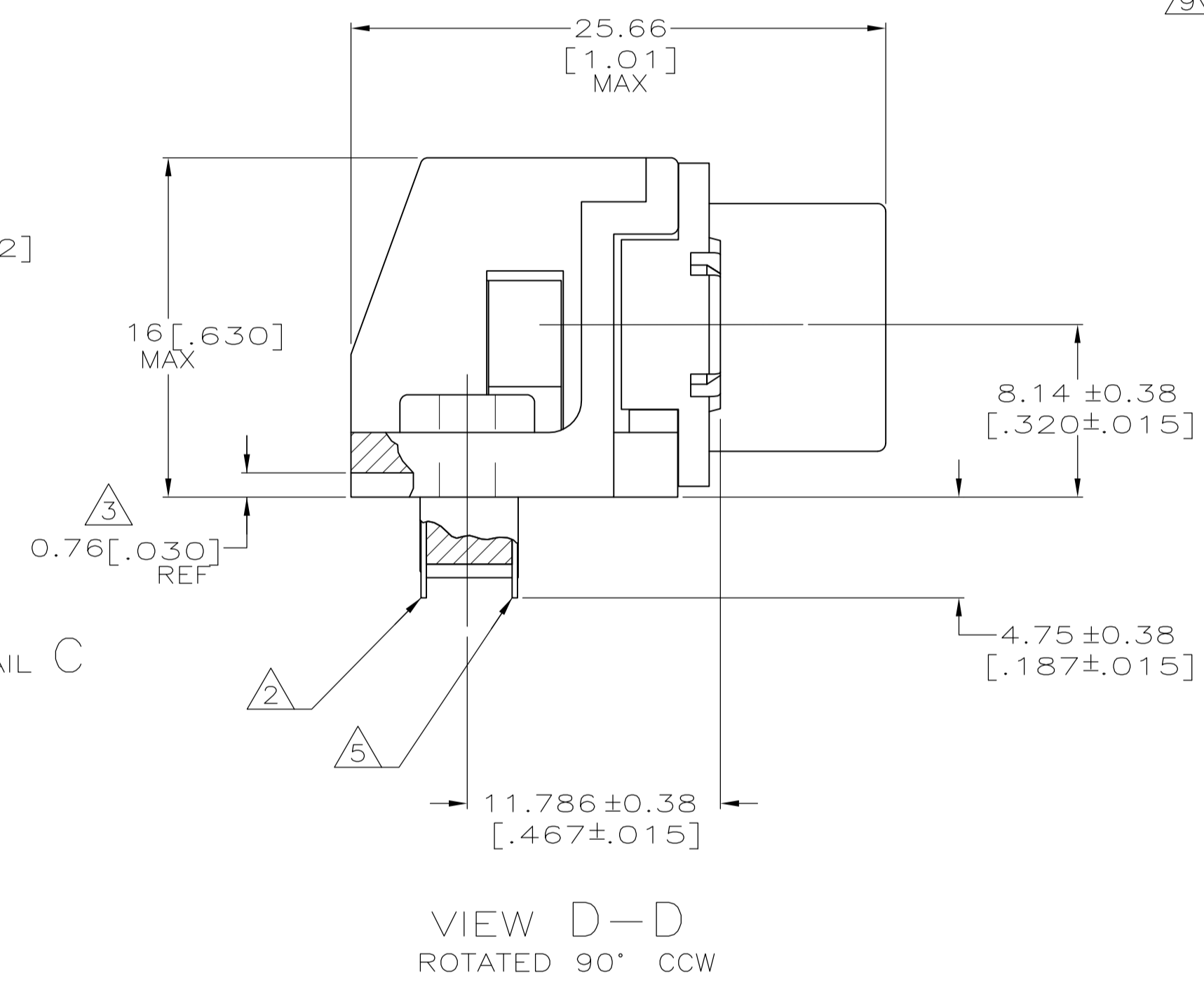
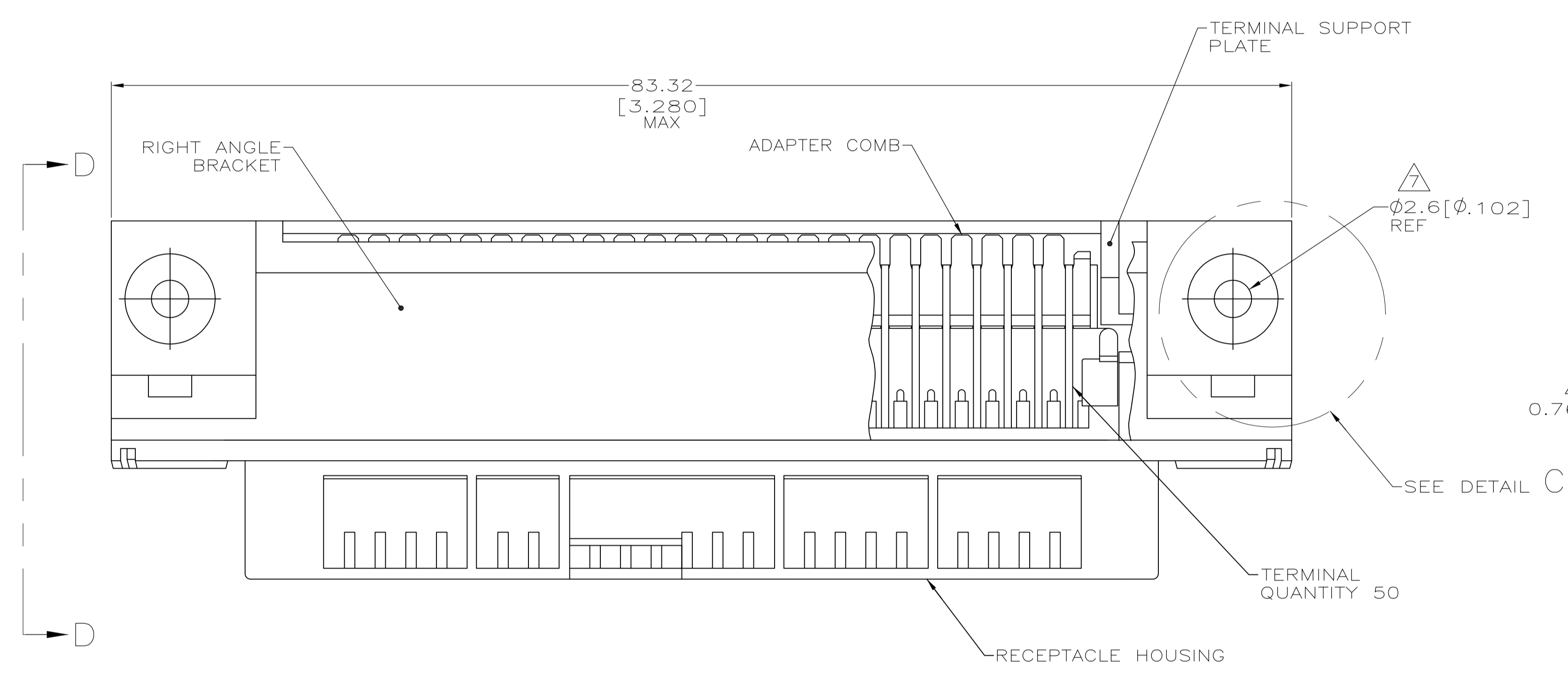


DETAIL A STANDARD ORIENTATION

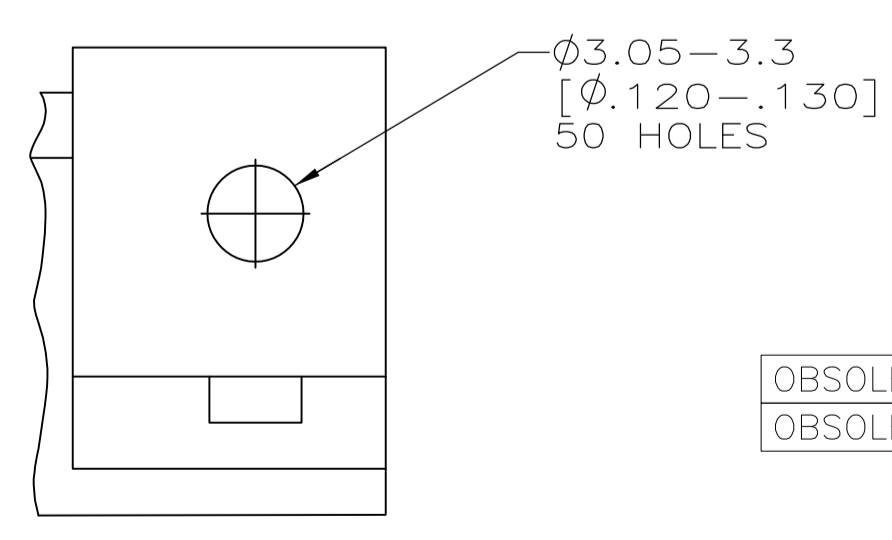


DETAIL B REVERSE ORIENTATION

- △ MATERIAL: HOUSING, BRACKET, PLATE & COMB - THERMOPLASTIC, BLACK, 94V-0 RATED. TERMINALS- HIGH STRENGTH COPPER ALLOY PLATED WITH EITHER 0.76 μ m [.000030] MIN GOLD PLATE OR GOLD FLASH OVER PALLADIUM NICKEL PLATE, 0.76 μ m [.000030] MIN TOTAL ON MATING SURFACE. 3.05 μ m [.000120] MIN TIN ON TAILS. ALL OVER 1.27 μ m [.000050] MIN NICKEL UNDERPLATE OVER ENTIRE TERMINAL. THREADED INSERT- #4-40 UNC, BRIGHT ZINC PLATED BRASS.
- △ TERMINAL 1 IS LOCATED IN THIS ROW FOR STANDARD ORIENTATION, 5552725-1, -2, -5 & -7.
- △ TERMINAL SUPPORT PLATE CLEARANCE FOR TERMINAL STRAIN RELIEF AND FLUX REMOVAL.
- △ MAXIMUM PANEL THICKNESS: 1.57[.062].
- △ TERMINAL 1 IS LOCATED IN THIS ROW FOR REVERSE ORIENTATION, 5552725-3 AND -6 ONLY.
- △ DETAILS "A" AND "B" ARE VIEWED FROM MATING SIDE OF RECEPTACLE ASSEMBLY.
- △ FOR USE WITH A NO.4 BT TYPE SELF-TAPPING SCREW.
- △ 5552725-1,-2 AND -3 ARE TAPPED 4-40; -5,-6 & -7 USE 4-40 THREADED INSERTS.
- △ INSERT SHALL WITHSTAND 8 INCH-POUNDS OF TORQUE WITHOUT CRACKING HOUSING OR LOOSENING.



SUGGESTED PRINTED CIRCUIT BOARD MOUNTING DIMENSIONS SCALE 2:1



DETAIL C (THRU-BOLT)

△△	THREADED INSERT	THRU-BOLT(SEE DETAIL C)	SEE DETAIL A	5552725-7
OBSOLETE	△△	THREADED INSERT	△ SELF-TAPPING	SEE DETAIL B
OBSOLETE	△△	THREADED INSERT	△ SELF-TAPPING	SEE DETAIL A
	△	TAPPED HOLE	△ SELF-TAPPING	SEE DETAIL B
	△	TAPPED HOLE	THRU-BOLT(SEE DETAIL C)	SEE DETAIL A
	△	TAPPED HOLE	△ SELF-TAPPING	5552725-1
THREAD TYPE		TYPE OF MOUNTING		PART NUMBER

DIMENSIONS:		TOLERANCES UNLESS OTHERWISE SPECIFIED:		MATERIAL		FINISH	
mm	(INCHES)	0 PLC	±	1 PLC	±	2 PLC	±
		1 PLC	±	3 PLC	±	4 PLC	±
		ANGLES	±				

THIS DRAWING IS A CONTROLLED DOCUMENT.	DIN 18 AUG 97	DL DRUMMOND
	25 AUG 97	DL DRUMMOND
	25 AUG 97	R FLAHERTY
APPLICATION SPEC		
SIZE	CAGE CODE	DRAWING NO
WEIGHT		A1 00779
CUSTOMER DRAWING	SCALE	4:1
	SHEET	1 OF 1
	REV	E1

Looking for pricing, stock, or lifecycle information?

Click below to explore more details on WIN SOURCE:

 [View 552725-1 on WIN SOURCE](#)

 [TE Connectivity](#) Information

Optimize Your Supply Chain with WIN SOURCE Solutions

-  Global Sourcing Solution
-  Obsolete Management
-  Cost Control Management
-  Shortage Management
-  Alternative Solution
-  Excess Inventory Management