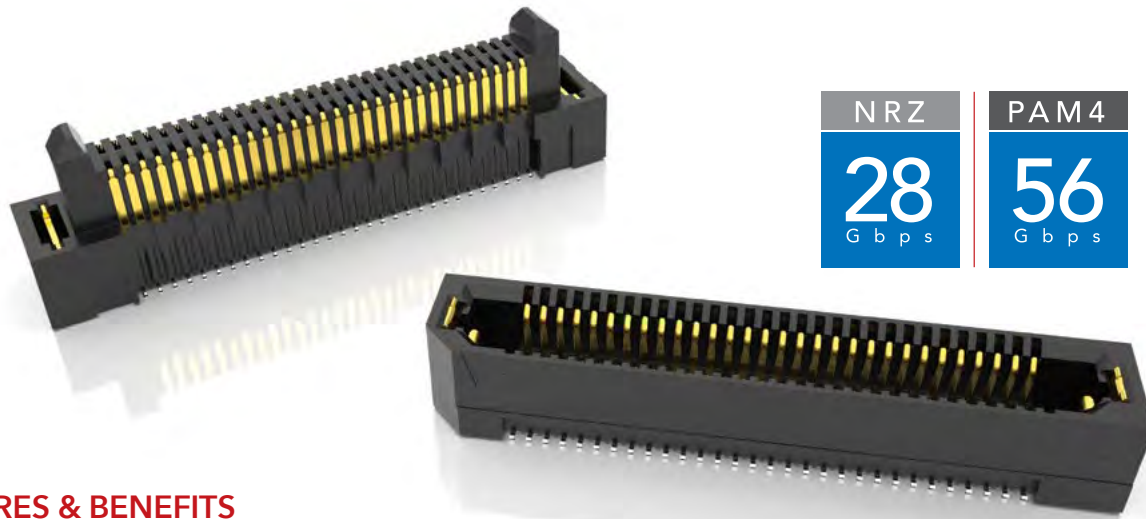




**THE DATASHEET OF
ERF8-040-05.0-S-DV-TR**



RUGGED HIGH-SPEED STRIPS



NRZ	PAM4
28 Gbps	56 Gbps

FEATURES & BENEFITS

Edge Rate® rugged high-speed connector strips are designed for high speed, high cycle applications, and enabled by Samtec's signal integrity-optimized Edge Rate® contact system.

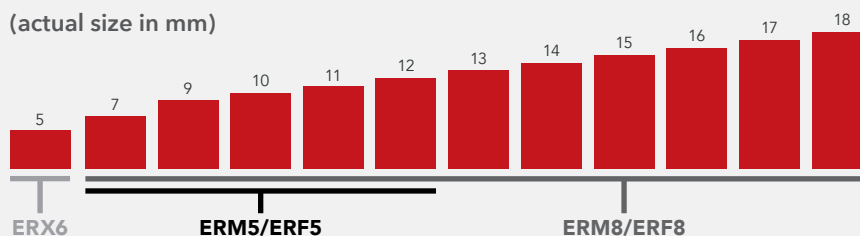
- Choice of 0.50 mm, 0.635 mm or 0.80 mm pitch
- 0.50 mm pitch system offers up to 40% PCB space savings vs. 0.80 mm pitch
- 0.635 mm pitch system with extremely slim 2.5 mm body width
- Rugged latching, locking and 360° shielding
- Up to 1.5 mm contact wipe; robust when "zippered" during unmating
- Compatible with UMPT/UMPS for power/signal flexibility



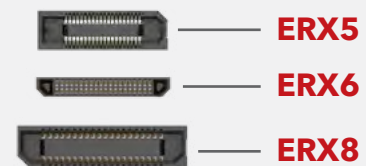
Signal integrity-optimized Edge Rate® contact system reduces broadside coupling

EDGE RATE® STACK HEIGHT FLEXIBILITY

(actual size in mm)



Sockets shown actual size with 40 total positions



KEY SPECIFICATIONS

SERIES	PITCH	STACK HEIGHTS	TOTAL PINS / PAIRS	INSULATOR MATERIAL	TERMINAL MATERIAL	PLATING	OPERATING TEMP RANGE	LEAD-FREE SOLDERABLE
ERM5 / ERF5	0.50 mm	7-12 mm	20-150	Black LCP	Phosphor Bronze or BeCu (ERM5), BeCu (ERF5)	Au or Sn over 50 μm (1.27 μm) Ni	-55 °C to +125 °C	Yes
ERM6 / ERF6	0.635 mm	5 mm	20-120		Copper Alloy			
ERM8 / ERF8	0.80 mm	7-18 mm	10-200		Phosphor Bronze or BeCu (ERM8), BeCu (ERF8)			

(0.80 mm) .0315" PITCH • RUGGED HIGH-SPEED HEADERS & SOCKETS

TYPE	POSITIONS PER ROW	LEAD STYLE	PLATING OPTION	DV	OPTIONS	"X"R
------	-------------------	------------	----------------	----	---------	------

ERM8
= Header
ERF8
= Socket

-005, -010, -011, -013, -020, -025, -030, -035, -040, -049, -050, -060, -070, -075, -100

(100 Position Only Available with ERM8-09.0 & ERF8-05.0 Lead Styles; -L or -EPG N/A)

SPECIFY LEAD STYLE FROM CHART

-L
= 10 μ" (0.25 μm) Gold on contact, Matte Tin on tail
-S
= 30 μ" (0.76 μm) Gold on contact, Matte Tin on tail

-DS
= Differential Pair (ERM8 -05.0 Lead Style with -010, -013, -025, -049 Positions only)

-L
= Latching (ERM8-05.0 & -09.0 Lead Styles only & -EGP Option N/A) (ERF8-05.0 Lead Style only and -L to -EGP Option N/A)

-TR
= Tape & Reel
-FR
= Full Reel Tape & Reel (must order maximum quantity per reel; contact Samtec for quantity breaks)

-EGP
= Extended Guide Post (ERM8-05.0 & ERF8-07.0 Lead Style Only & -L Option N/A)

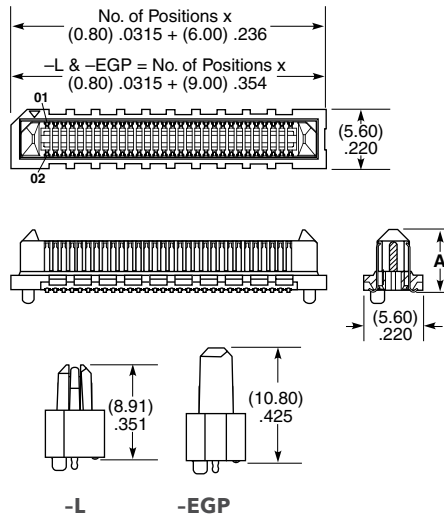
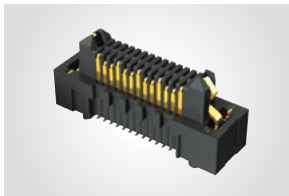
-DSP
= Differential Pair with Extended Guide Post (ERM8 -05.0 Lead Style with -013 and -025 Positions only)

-K
= Polyimide Film Pick & Place Pad (-02.0 Lead Style N/A)

-P
= Pick & Place Pad (ERM8 and -02.0 & -05.0 Lead Styles only)

ERM8 Board Mates:
ERF8
ERM8

Cable Mates:
ERCD, ERDP

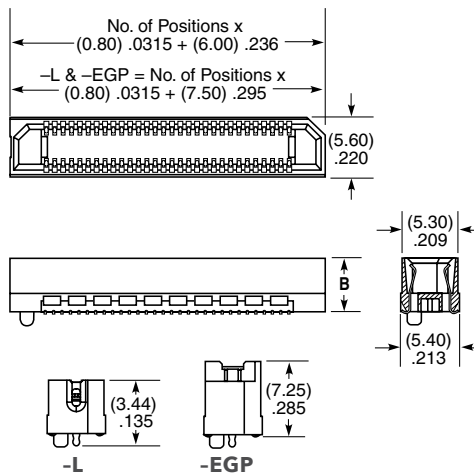
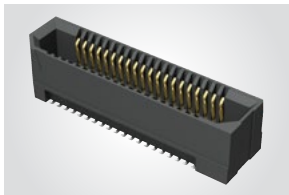


View complete specifications at: samtec.com?ERM8

LEAD STYLE	A (ERM8)	B (ERF8)
-02.0	(5.97) .235	N/A
-05.0	(8.91) .351	(5.10) .200
-07.0	N/A	(7.00) .276
-08.0	(11.91) .469	N/A
-09.0	(12.91) .508	(9.00) .354

ERF8 Board Mates:
ERM8

ERF8 Cable Mates:
ERCD, ERDP



View complete specifications at: samtec.com?ERF8

ERM8 LEAD STYLE	MATED HEIGHT*		
	ERF8 LEAD STYLE		
	-05.0	-07.0	-09.0
-02.0	(7.00) .276	(9.00) .354	(11.00) .433
-05.0	(10.00) .394	(12.00) .472	(14.00) .551
-08.0	(13.00) .512	(15.00) .591	(17.00) .669
-09.0	(14.00) .551	(16.00) .629	(18.00) .709

*Processing conditions will affect mated height.

Note:
Some lengths, styles and options are non-standard, non-returnable.

See pg 52-53 for Right-Angle & Edge Mount options, pg 54 for Shielded options.

Mouser Electronics

Authorized Distributor

Click to View Pricing, Inventory, Delivery & Lifecycle Information:

Samtec:

[ERF8-030-01-L-D-RA-L-TR](#) [ERF8-050-05.0-S-DV-K-TR](#) [ERF8-075-07.0-L-DV-TR](#) [ERF8-005-05.0-L-DV-L-TR](#) [ERF8-030-05.0-L-DV-TR](#) [ERF8-040-05.0-L-DV-L-K-TR](#) [ERF8-020-01-S-D-RA-L-TR](#) [ERF8-030-05.0-S-DV-L-TR](#) [ERF8-060-05.0-S-DV-K-TR](#) [ERF8-060-05.0-S-DV-L-K-TR](#) [ERF8-050-05.0-S-DV-TR](#) [ERF8-030-07.0-S-DV-K-TR](#) [ERF8-060-05.0-L-DV-L-TR](#) [ERF8-020-05.0-L-DV-L-K-TR](#) [ERF8-020-01-L-D-RA-TR](#) [ERF8-020-07.0-S-DV-TR](#) [ERF8-035-05.0-L-DV-K-TR](#) [ERF8-010-01-S-D-RA-L-TR](#) [ERF8-020-05.0-S-DV-K-TR](#) [ERF8-010-07.0-S-DV-TR](#) [ERF8-040-05.0-S-DV-K-TR](#) [ERF8-020-07.0-L-DV-K-TR](#) [ERF8-025-05.0-S-DV-TR](#) [ERF8-049-05.0-L-DV-L-K-TR](#) [ERF8-075-05.0-L-DV-K-TR](#) [ERF8-060-05.0-L-DV-L-K-TR](#) [ERF8-005-05.0-L-DV-K-TR](#) [ERF8-010-05.0-L-DV-TR](#) [ERF8-020-01-L-D-EM2-TR](#) [ERF8-025-07.0-L-DV-TR](#) [ERF8-040-01-L-D-EM2-TR](#) [ERF8-040-05.0-L-DV-TR](#) [ERF8-040-01-L-D-RA-TR](#) [ERF8-060-01-L-D-EM2-TR](#) [ERF8-005-07.0-L-DV-TR](#) [ERF8-013-05.0-L-DV-K-TR](#) [ERF8-070-05.0-L-DV-K-TR](#) [ERF8-020-07.0-S-DV-K-TR](#) [ERF8-030-05.0-L-DV-K-TR](#) [ERF8-075-01-L-D-RA-TR](#) [ERF8-050-05.0-L-DV-TR](#) [ERF8-013-01-S-D-RA-L-TR](#) [ERF8-020-07.0-S-DV-EGP-K-TR](#) [ERF8-020-05.0-L-DV-K-TR](#) [ERF8-050-07.0-L-DV-K-TR](#) [ERF8-013-01-L-D-EM2-TR](#) [ERF8-013-01-L-D-RA-L-TR](#) [ERF8-010-07.0-S-DV-K-TR](#) [ERF8-050-05.0-L-DV-K-TR](#) [ERF8-040-05.0-L-DV-K-TR](#) [ERF8-075-01-S-D-EM2-TR](#) [ERF8-075-05.0-L-DV-L-TR](#) [ERF8-075-07.0-S-DV-K-TR](#) [ERF8-075-05.0-S-DV-K-TR](#) [ERF8-050-05.0-L-DV-L-K-TR](#) [ERF8-013-05.0-S-DV-L-K-TR](#) [ERF8-050-07.0-S-DV-K-TR](#) [ERF8-075-05.0-L-DV-TR](#) [ERF8-025-05.0-S-DV-L-TR](#) [ERF8-070-05.0-S-DV-L-TR](#) [ERF8-060-05.0-L-DV-TR](#) [ERF8-025-05.0-L-DV-L-TR](#) [ERF8-075-01-L-D-RA-L-TR](#) [ERF8-040-07.0-L-DV-TR](#) [ERF8-060-01-L-D-RA-TR](#) [ERF8-010-05.0-S-DV-K-TR](#) [ERF8-013-05.0-S-DV-TR](#) [ERF8-010-05.0-S-DV-L-K-TR](#) [ERF8-013-05.0-S-DV-K-TR](#) [ERF8-013-07.0-L-DV-K-TR](#) [ERF8-025-07.0-S-DV-K-TR](#) [ERF8-030-07.0-S-DV-TR](#) [ERF8-040-05.0-S-DV-TR](#) [ERF8-030-05.0-L-DV-L-K-TR](#) [ERF8-070-01-L-D-RA-TR](#) [ERF8-025-01-L-D-EM2-TR](#) [ERF8-020-05.0-S-DV-L-TR](#) [ERF8-013-07.0-S-DV-K-TR](#) [ERF8-020-05.0-L-DV-L-TR](#) [ERF8-040-07.0-L-DV-K-TR](#) [ERF8-060-01-L-D-RA-L-TR](#) [ERF8-010-05.0-L-DV-L-K-TR](#) [ERF8-030-05.0-S-DV-TR](#) [ERF8-020-05.0-L-DV-TR](#) [ERF8-020-05.0-S-DV-TR](#) [ERF8-050-01-L-D-EM2-TR](#) [ERF8-060-05.0-S-DV-L-TR](#) [ERF8-050-07.0-L-DV-TR](#) [ERF8-050-01-L-D-RA-TR](#) [ERF8-060-07.0-L-DV-TR](#) [ERF8-040-07.0-S-DV-TR](#) [ERF8-060-07.0-S-DV-K-TR](#) [ERF8-025-05.0-S-DV-K-TR](#) [ERF8-005-05.0-L-DV-TR](#) [ERF8-010-01-L-D-EM2-TR](#) [ERF8-013-05.0-L-DV-TR](#) [ERF8-075-07.0-L-DV-K-TR](#) [ERF8-005-07.0-L-DV-K-TR](#) [ERF8-010-01-S-D-RA-TR](#) [ERF8-030-05.0-S-DV-K-TR](#)

Looking for pricing, stock, or lifecycle information?

Click below to explore more details on WIN SOURCE:

- ⊖ [View ERF8-040-05.0-S-DV-TR on WIN SOURCE](#)
- ⊖ [Samtec Inc. Information](#)

Optimize Your Supply Chain with WIN SOURCE Solutions

- ✓ Global Sourcing Solution
- ✓ Obsolete Management
- ✓ Cost Control Management
- ✓ Shortage Management
- ✓ Alternative Solution
- ✓ Excess Inventory Management