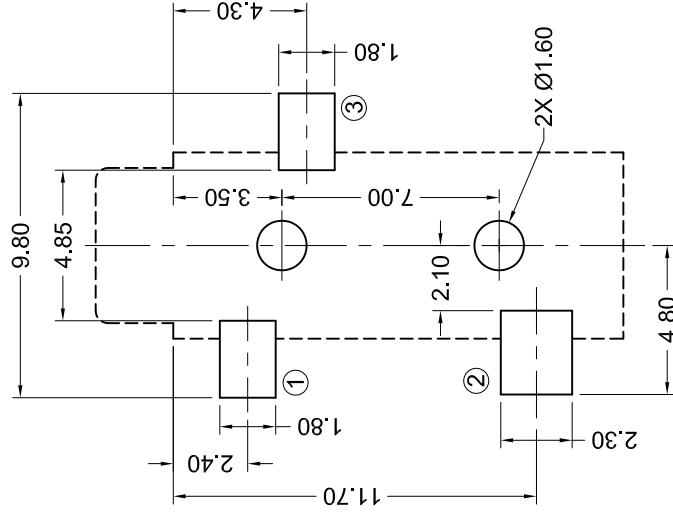
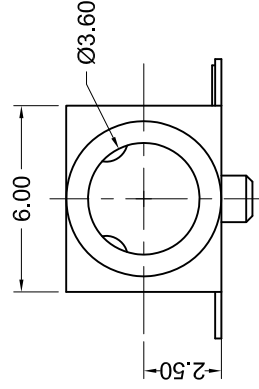
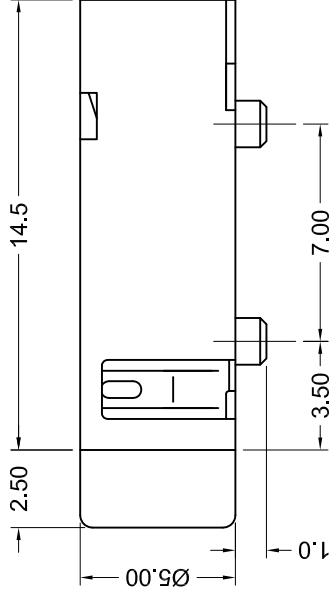


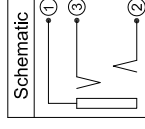


**THE DATASHEET OF
STX-3500-3NTR**





Recommended PCB Layout
(Top View)



Part Number	Color	Packaging
STX-3500-3NTR	Black	Tape and Reel
STX-3500-3N-701CTR	Pink	Tape and Reel
STX-3500-3N-284CTR	Blue	Tape and Reel
STX-3500-3N-577CTR	Green	Tape and Reel
-STX-3500-3N-295GTR	Burgundy	Tape and Reel

Discontinued

REV.	DATE	DESCRIPTION	REV. BY	CHK. BY	DRAWN BY	DATE
A2	01/24/08	Add Color Options	Will H.	H. MA	R. Aguirre	07/14/05
A3	09/13/08	ECO #08-066	S. Vlen	H. MA		
A4	09/16/13	ECO #13-060	D. Gln	P. Da/Canto		UNITS
A5	09/26/13	ECO #13-072	W. Cook	H. MA		mm
A6	07/16/15	ECO #15-034	H. MA	W. Cook		
A7	02/26/18	ECO #18-010	C. Kelleher	C. Kelleher		

Stereo Jack, 3 Position, Right Angle
All Plastic Body, Right Angle

STX-3500-3N



Looking for pricing, stock, or lifecycle information?

Click below to explore more details on WIN SOURCE:

 [View STX-3500-3NTR on WIN SOURCE](#)

 [Kycon, Inc. Information](#)

Optimize Your Supply Chain with WIN SOURCE Solutions

-  Global Sourcing Solution
-  Obsolete Management
-  Cost Control Management
-  Shortage Management
-  Alternative Solution
-  Excess Inventory Management