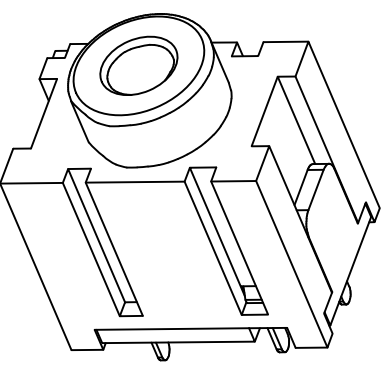
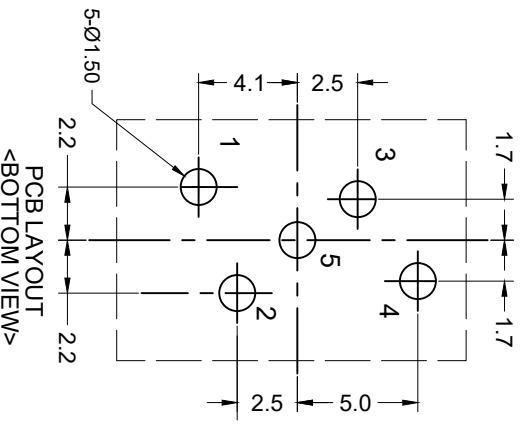
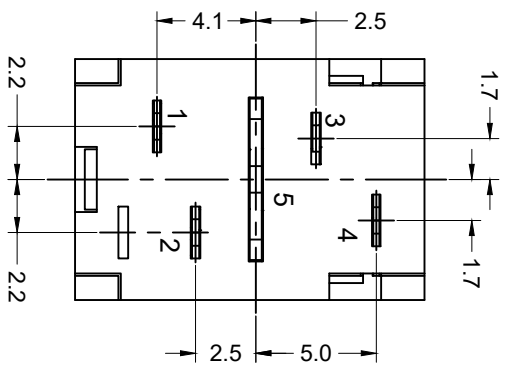
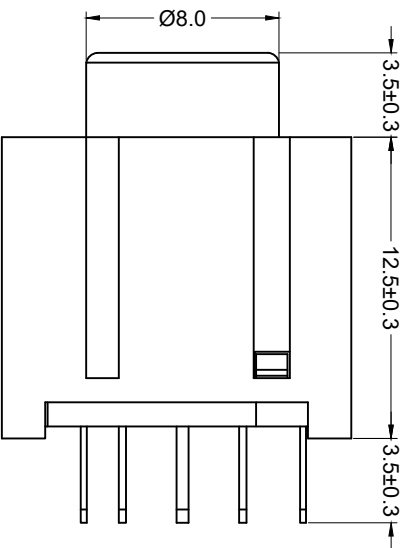




**THE DATASHEET OF
STX-3680-5NB**





Material and Finish

Housing Material-
Thermoplastic
UL 94V-0 Rated
Contact Material-
Copper Alloy
Silver Plated.

Electrical Characteristics

Contact Resistance:
Before Test: 50 milliohms max.
After Durability Test:
100 milliohms max.
Rated Voltage: 16V DC
Rated Current: 0.3A
Insulation Resistance:
100 Megohms min.
at 500V DC
Dielectric Strength:
500V AC RMS for 1 minute
Operating Temp:
-25°C to +85°C

OR	
IC (GREEN)	
IC (PINK)	

/. BY	CHK. BY	DRAWN BY	DATE
L.H.	H. MA	WILL H.	10/30/07
M.A.	N/A		
L.H.	H. MA		UNITS
Vien	H. MA		mm
tehan	N/A		

STX-3680-5NB

3.5mm Vertical Mount, 5 Pin,
w/backcover, RoHS Compliant

RoHS COMPLIANT



Tolerances
XX ± 0.25
X,XX ± 0.15
Unless Stated
Otherwise



Looking for pricing, stock, or lifecycle information?

Click below to explore more details on WIN SOURCE:

 [View STX-3680-5NB on WIN SOURCE](#)

 [Kycon, Inc. Information](#)

Optimize Your Supply Chain with WIN SOURCE Solutions

-  Global Sourcing Solution
-  Obsolete Management
-  Cost Control Management
-  Shortage Management
-  Alternative Solution
-  Excess Inventory Management