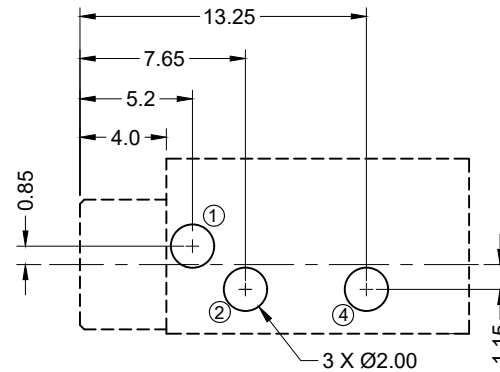
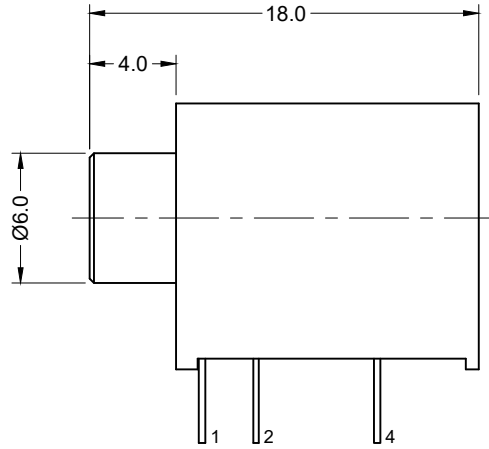
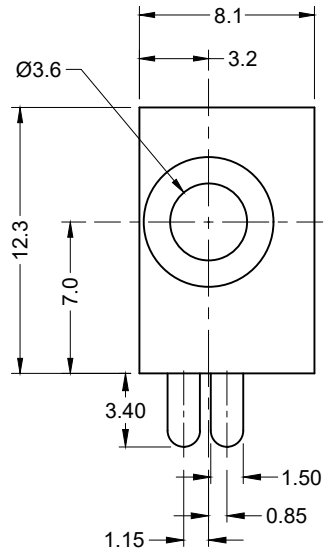


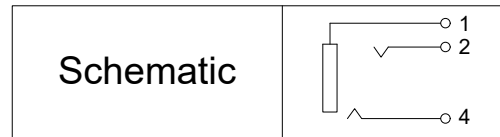


**THE DATASHEET OF
STX-3150-3N-1**





PCB LAYOUT
(BOTTOM VIEW)



Materials and Finish

Housing: PBT Thermoplastic
UL 94V-0 Rated, Black Color
Contact Material:
Pin #1: Brass, Matte Tin Plated
Pin #2 and Pin #4:
Phosphor Bronze, Matte
Tin Plated

Electrical Characteristics

Insulation Resistance:
100 Megohms at 500V DC
Contact Resistance:
50 milliohms Max.
Dielectric Withstanding Voltage:
500V AC RMS for 1 Minute

Mechanical Characteristics

Insertion Force: 0.3kg - 3.0kg
Withdrawal Force: 0.3kg - 3.0kg
Durability: 5000 Mating Cycles Min.
Operating Temperature:
-25°C to +85°C

Tolerances
X.X ± 0.30
X.XX ± 0.15
Unless Stated Otherwise



REV.	DATE	DESCRIPTION	REV. BY	CHK. BY	DRAWN BY	DATE
A0	03/29/18	New Drawing	G. Serrato	C. Furumasu	G. Serrato	03/29/18
A1	11/07/18	Release Drawing DC18-009	D. Shehan	C. Kelleher		

STX-3150-3N-1

Stereo Jack, Straight Black Cover

3 pos, RoHS Compliant



Looking for pricing, stock, or lifecycle information?

Click below to explore more details on WIN SOURCE:

 [View STX-3150-3N-1 on WIN SOURCE](#)

 [Kycon, Inc. Information](#)

Optimize Your Supply Chain with WIN SOURCE Solutions

-  Global Sourcing Solution
-  Obsolete Management
-  Cost Control Management
-  Shortage Management
-  Alternative Solution
-  Excess Inventory Management