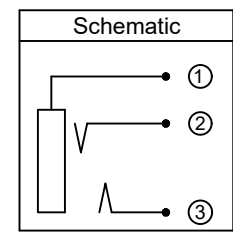
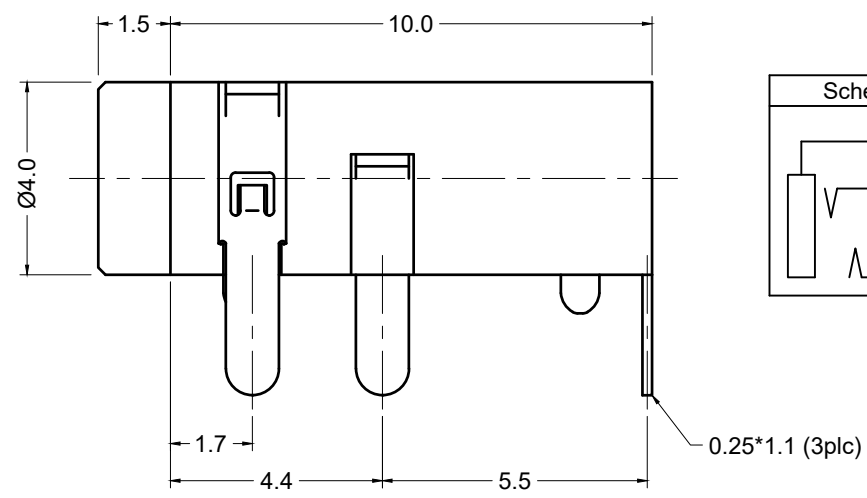
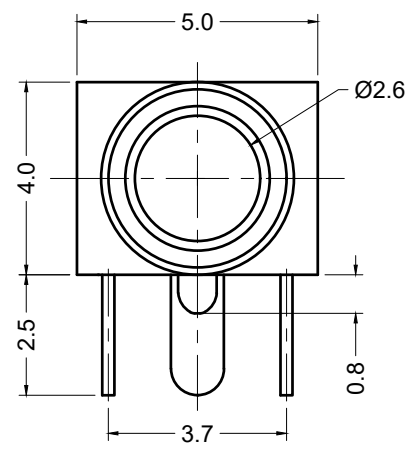




**THE DATASHEET OF
STX-2000-3N**





Materials and Finish

Housing: PBT Thermoplastic
UL 94V-0 Rated

Terminals: Copper Alloy,
10-15u" Silver over
100u" Nickel plating

Mechanical Characteristics

Insertion Force:
0.4kg - 2.0kg

Extraction Force:
0.3kg - 2.0kg

Durability: 5000 mating cycles

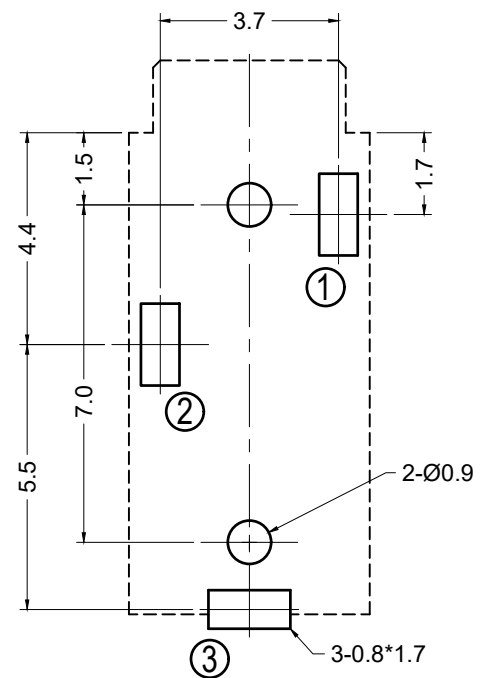
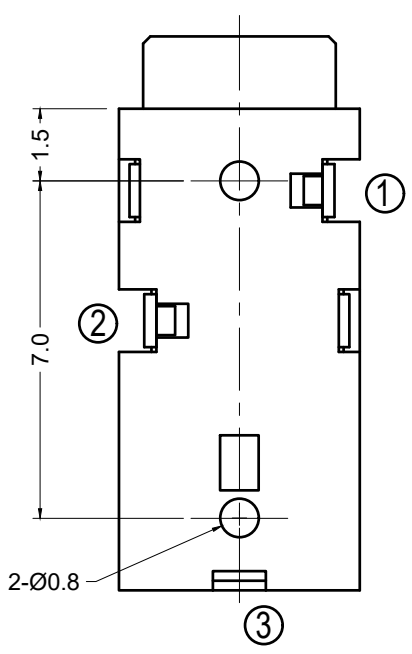
Electrical Characteristics

Contact Resistance:
Before Test: 30mohms Max.
After Durability Test:
60 mohms Max.

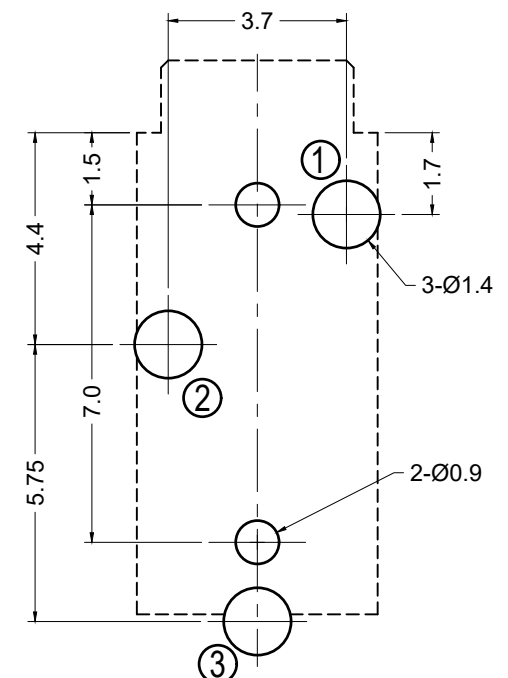
Insulation Resistance:
More than 100 Megohms
at 250V DC

Dielectric Strength:
250V AC RMS for 1 minute

Operating Temp:
-25°C to +80°C



Recommended PCB Layout
(Bottom View)



Alternate PCB Layout
(Bottom View)

RoHS COMPLIANT



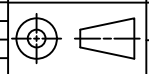
Tolerances
X.X ± 0.25
X.XX ± 0.15
Unless Stated
Otherwise

REV.	DATE	DESCRIPTION	REV. BY	CHK. BY	DRAWN BY	DATE
A0	5/9/05	New Drawing	H. MA	C. Furumasu	H. MA	5/9/05
A1	8/29/05	Release Drawing	H. MA	N/A		
A2	08/14/18	Update Address	D. Shehan	N/A		

STX-2000-3N

Stereo Jack, Rt. Ang, RoHS Compliant


All Plastic Body, Through-Hole type



UNITS
mm

Looking for pricing, stock, or lifecycle information?

Click below to explore more details on WIN SOURCE:

 [View STX-2000-3N on WIN SOURCE](#)

 [Kycon, Inc. Information](#)

Optimize Your Supply Chain with WIN SOURCE Solutions

-  Global Sourcing Solution
-  Obsolete Management
-  Cost Control Management
-  Shortage Management
-  Alternative Solution
-  Excess Inventory Management