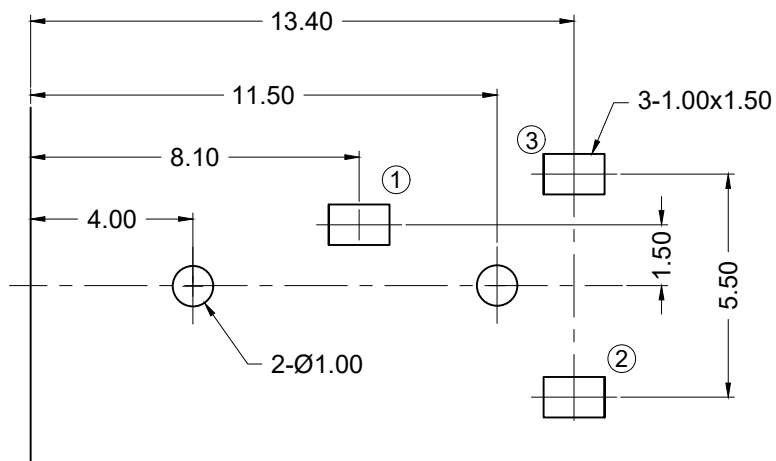
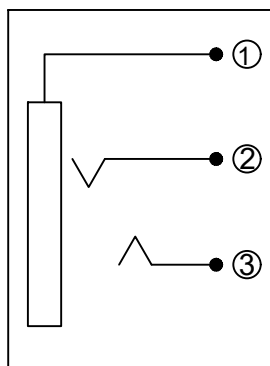
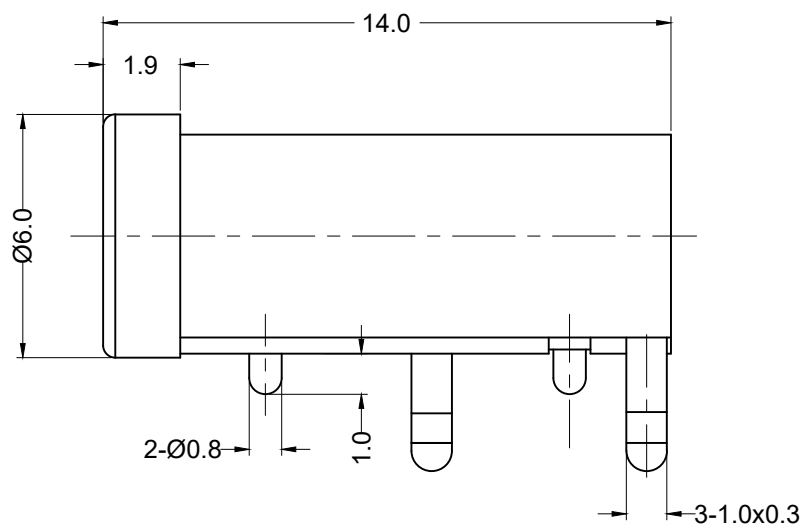
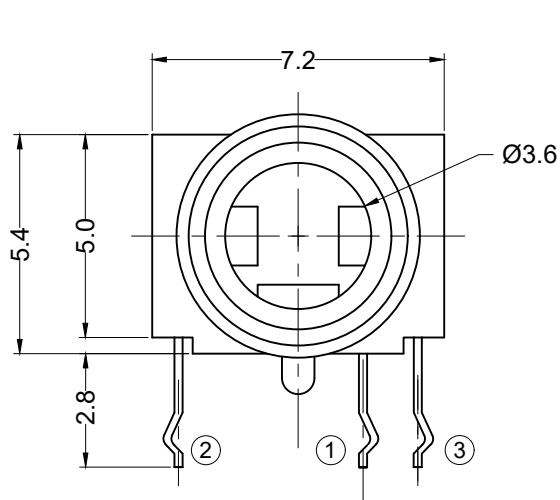




THE DATASHEET OF STX-3000





Recommended PCB Layout
(Bottom View)

Materials and Finish

Housing: PBT Thermoplastic,
UL 94V-0 Rated

Terminals: Copper Alloy
Matte Tin Plated

Electrical Characteristics

Contact Resistance:
Before Test: 30mohms Max.
After Durability Test:
60 mohms Max.

Insulation Resistance:
More than 100 Megohms
at 250V DC

Dielectric Strength:
250V AC RMS for 1 minute

Operating Temp:
-25°C to +80°C

Mechanical Characteristics

Insertion Force:
0.4kg - 2.0kg

Extraction Force:
0.3kg - 2.0kg

Durability: 5000 mating cycles

Tolerances
X.X ± 0.35
X.XX ± 0.25
Unless Stated Otherwise

RoHS COMPLIANT



REV.	DATE	DESCRIPTION	REV. BY	CHK. BY	DRAWN BY	DATE
B2	04/03/06	ECO 06-024	H. MA	C.Furumasu	R. Aguirre	07/11/05
C1	07/10/08	ECO# 08-060	S. Vien	H. MA		
D1	09/18/08	ECO# 08-077	S. Vien	H. MA		
D2	11/23/10	ECO# 10-084	S. Vien	H. MA		
D3	02/10/12	ECO# 12-004	S. Vien	H. MA		
D4	08/14/18	Update Address	D.Shehan	N/A		

STX-3000

3.5mm Stereo Jack, RoHS Compliant

All Plastic Body, Right Angle, PCB Mount



Looking for pricing, stock, or lifecycle information?

Click below to explore more details on WIN SOURCE:

 [View STX-3000 on WIN SOURCE](#)

 [Kycon, Inc. Information](#)

Optimize Your Supply Chain with WIN SOURCE Solutions

-  Global Sourcing Solution
-  Obsolete Management
-  Cost Control Management
-  Shortage Management
-  Alternative Solution
-  Excess Inventory Management