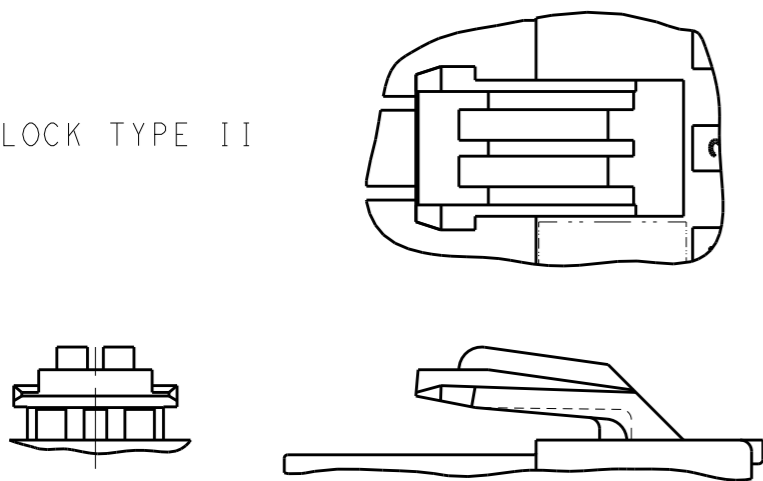


THIS DRAWING IS UNPUBLISHED. RELEASED FOR PUBLICATION 20
© COPYRIGHT 20 BY - ALL RIGHTS RESERVED.

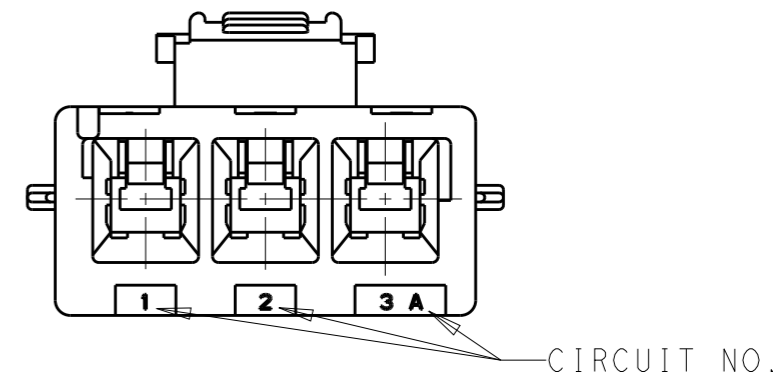
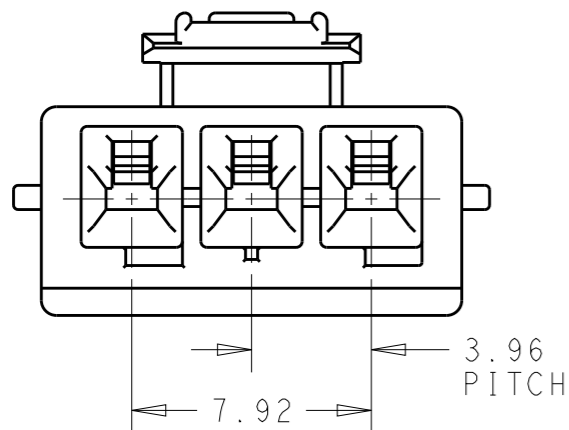
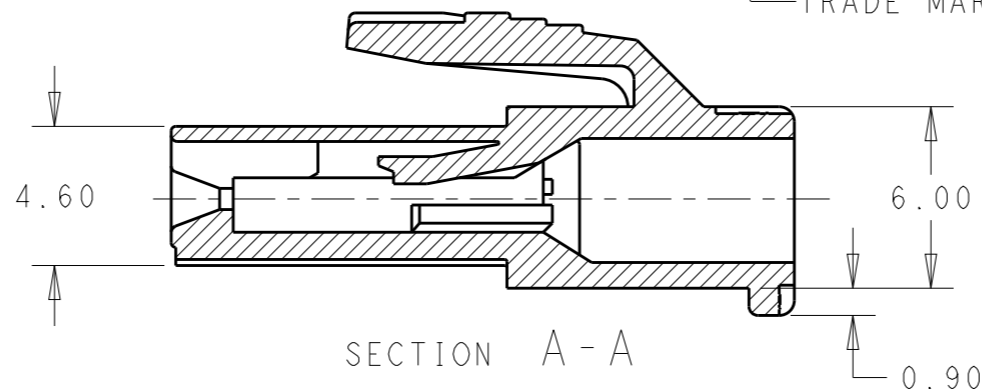
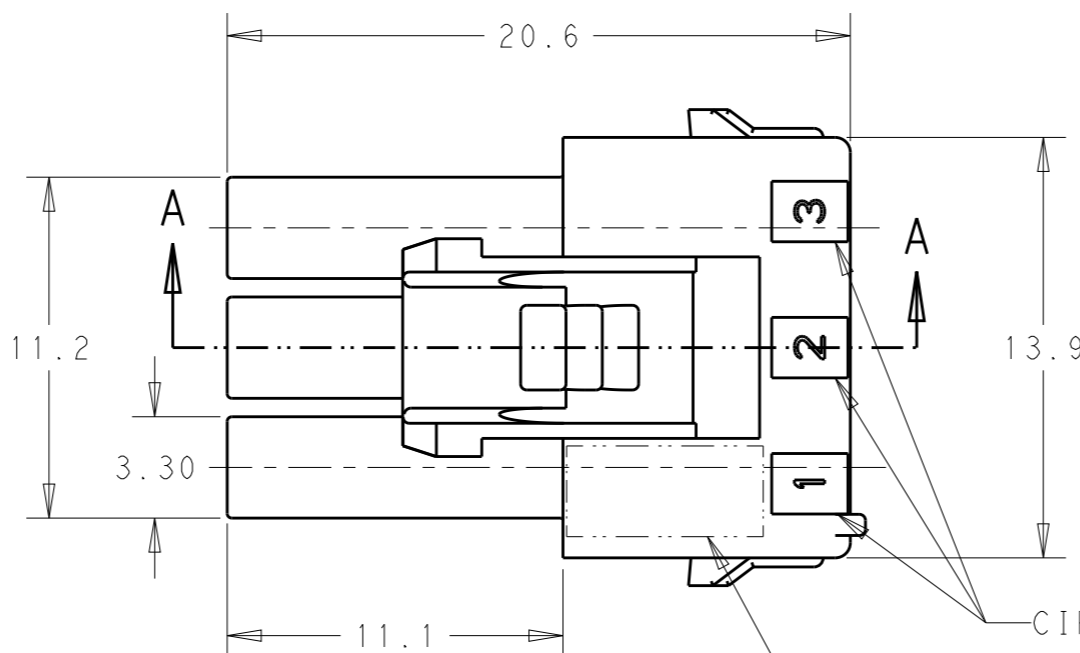
REVISIONS

P	LTR	DESCRIPTION	DATE	DWN	APVD
	E5	REVISED PER ECR-19-003343	06MAR2019	N.L	D.Z

LOCK TYPE II



SCALE 3:1



- 1 APPLICABLE CONTACT P/N
REC CONTACT : 177915-X (AWG#20-#16)
177914-X (AWG#26-#22)
X-2232901-X(AWG#20-#16)
X-2232902-X(AWG#26-#22)
- 2 MATING CONN. P/N
CAP HSG : 177907-X (PANEL MOUNT)
179464-X (FREE HANGING)

TAB CONTACT : 177917-X (AWG#20-#16)
177916-X (AWG#26-#22)

- 6 PART 5-177899-1 COMPLY WITH GLOW WIRE REQUIREMENT FOR PARTS OF NON-METALLIC MATERIAL SUPPORTING A CURRENT-CARRYING CONNECTION DETAILED IN IEC 60335-1, SECTION 30 (GWT)


- 3 APPLICABLE PLATE P/N : 177919-X
- 4 INSTRUCTION SHEET : 411-5638
- 5 ALL PARTS MEET RTI ELECTRICAL RATING OF 105°C ACCORDING TO UL1977.

LOCK TYPE II	BLUE	3	3-177899-6
	NATURAL	3	3-177899-1
LOCK TYPE I	NATURAL	3	5-177899-1
	BLACK	3	177899-9
	BLUE	3	177899-6
	YELLOW	3	177899-4
	RED	3	177899-2
	NATURAL	3	177899-1
LOCK TYPE	HOUSING COLOR	POS	PART NUMBER

THIS DRAWING IS A CONTROLLED DOCUMENT.		DWN J. SATO 25OCT2007	STE TE Connectivity	
DIMENSIONS: mm		CHK S. MANABE 25OCT2007		
TOLERANCES UNLESS OTHERWISE SPECIFIED:		APVD S. MANABE 25OCT2007	NAME AMP POWER DOUBLE LOCK 3.96mm PITCH 3 POS PLUG HSG (SGL. ROW)	
0 PLC ±		PRODUCT SPEC 108-5410	SIZE CAGE CODE DRAWING NO RESTRICTED TO	
1 PLC ±0.25		APPLICATION SPEC 114-5175	A300779 C-177899	
2 PLC ±0.20		WEIGHT -	SCALE N/A SHEET 1 OF 1 REV E5	
3 PLC ±		RESTRICTED CUSTOMER		
4 PLC ±				
ANGLES ±3°				
FINISH -				
MATERIAL -				

Looking for pricing, stock, or lifecycle information?

Click below to explore more details on WIN SOURCE:

 [View 177899-1 on WIN SOURCE](#)

 [TE Connectivity](#) Information

Optimize Your Supply Chain with WIN SOURCE Solutions

-  Global Sourcing Solution
-  Obsolete Management
-  Cost Control Management
-  Shortage Management
-  Alternative Solution
-  Excess Inventory Management