

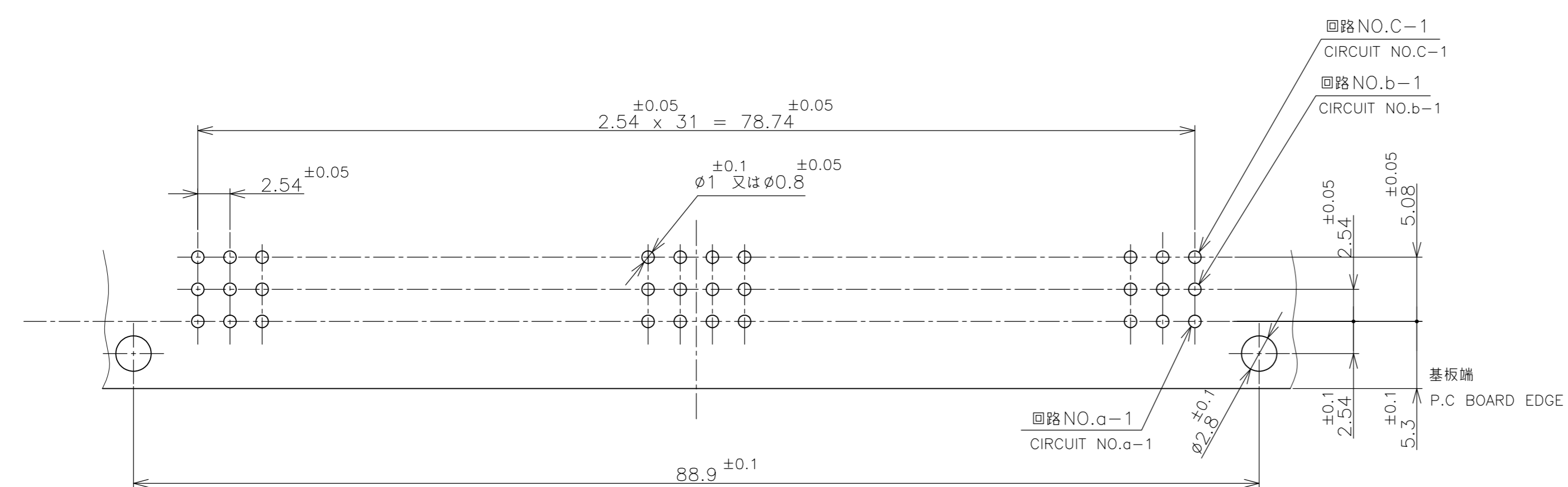
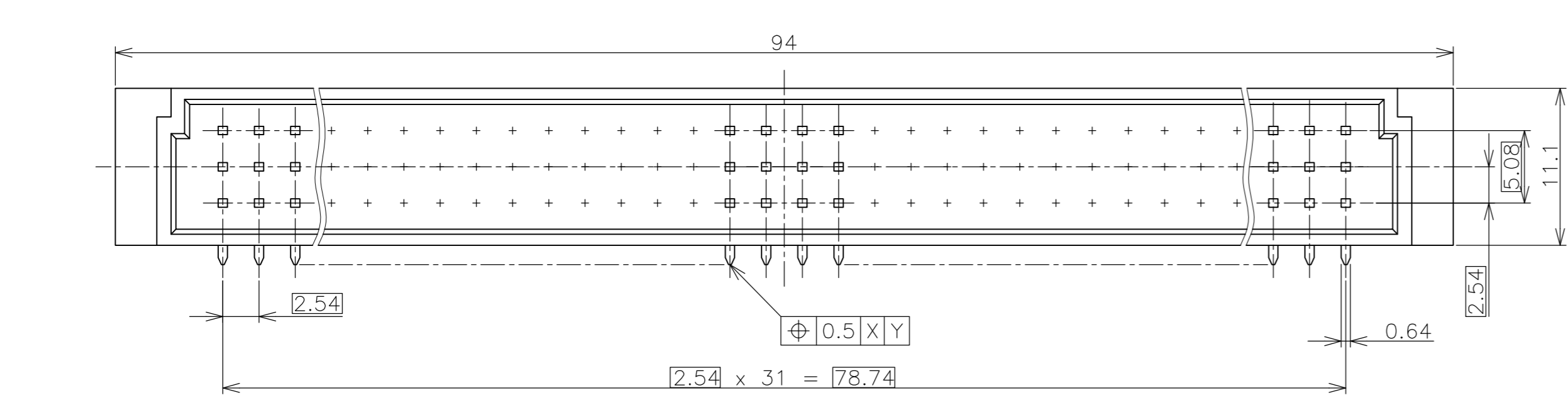
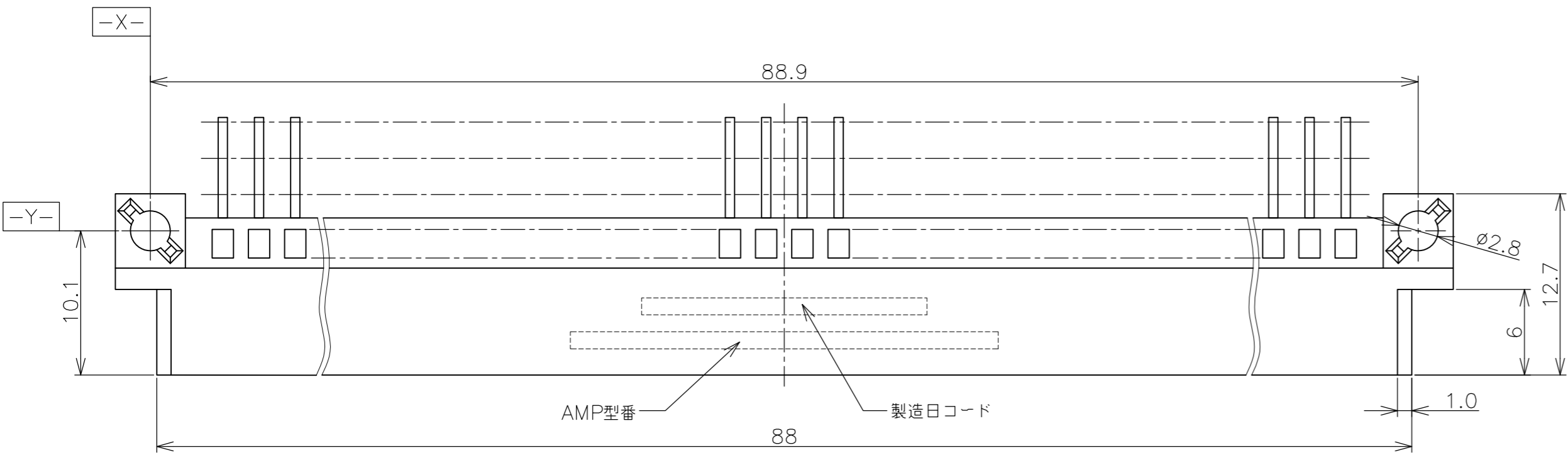


THE DATASHEET OF
5174111-2

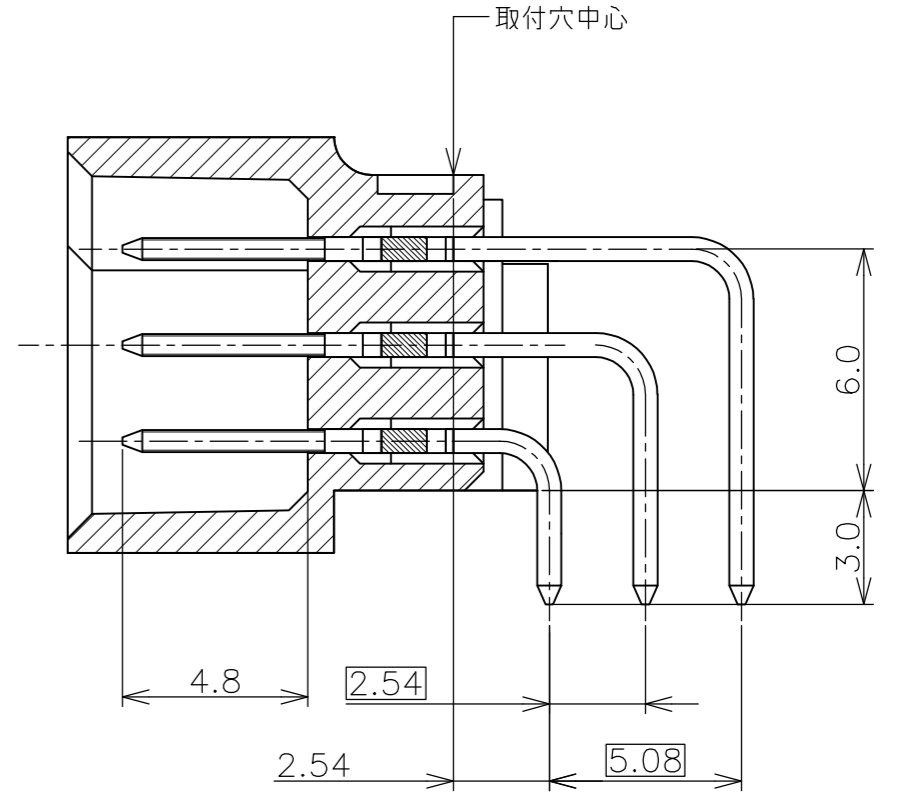


THIS DRAWING IS UNPUBLISHED. RELEASED FOR PUBLICATION NOV., 2004.
 © COPYRIGHT 2004 BY TYCO ELECTRONICS CORPORATION. ALL RIGHTS RESERVED.

LOC	DIST	REVISIONS					
J		P	LTR	DESCRIPTION	DATE	DWN	APVD
		0		RELEASED FJBO-1086-04	30NOV04	T.K	K.I
		01		REVISED PER ECO-10-000444	19JAN10	KK	HMR



P.C. BOARD LAYOUT DIMENSIONS
 プリント基板 取付寸法
 (コネクタ搭載面)
 (CONN. MOUNTING SIDE)



- 1 材料 : コンタクト: 黄銅
ハウジング: 熱可塑性ポリエステル樹脂 (灰色)
- 2 表面仕上: (コンタクト)

型番	下地めっき	タイン部	コンタクト接触部
5174111-1	ニッケル	錫めっき	金めっき (0.2 μ)
5174111-2	ニッケル	錫めっき	金めっき (0.8 μ)
3 OBSOLETE 5174111-4	ニッケル	錫めっき	金めっき (0.4 μ)

- 1 MATERIAL : CONT: BRASS
HSG: POLYESTER (GRAY)
- 2 FINISH :

P/N	UNDER COATING	TINE AREA	CONTACT AREA
5174111-1	Ni-PL.	TIN PL.	SELECTIVE (Au 0.2 μ)
5174111-2	Ni-PL.	TIN PL.	SELECTIVE (Au 0.8 μ)
3 OBSOLETE 5174111-4	Ni-PL.	TIN PL.	SELECTIVE (Au 0.4 μ)

3 OBSOLETE PARTS: OBSOLETE CIS STREAMLINING PER D.RENAUD/D.SINISI

THIS DRAWING IS A CONTROLLED DOCUMENT.		DWN T.KIMURA 30NOV04	Tyco Electronics AMP K.K. Kawasaki, Japan	
DIMENSIONS: 単位: 概 mm		CHK K.IKEGAMI 30NOV04	NAME 名称	
TOLERANCES UNLESS OTHERWISE SPECIFIED: 一般公差		APVD K.IKEGAMI 30NOV04	IEC CONN. TYPE C MALE ASSY (96 POS)	
0 PLC ± 0.2 1 PLC ± 0.2 2 PLC ± 0.2 3 PLC ± 0.2 4 PLC ± 0.2 ANGLES $\pm 3^\circ$		PRODUCT SPEC 製品規格	SIZE A2	CAGE CODE 00779
MATERIAL 材料 SEE NOTE		APPLICATION SPEC 取付適用規格	DRAWING NO 番号 C=5174111	RESTRICTED TO
FINISH 仕上 SEE TABLE		WEIGHT	SCALE 尺度 NTS	SHEET 1 OF 1
		CUSTOMER DRAWING	REV 01	

Looking for pricing, stock, or lifecycle information?

Click below to explore more details on WIN SOURCE:

 [View 5174111-2 on WIN SOURCE](#)

 [TE Connectivity](#) Information

Optimize Your Supply Chain with WIN SOURCE Solutions

-  Global Sourcing Solution
-  Obsolete Management
-  Cost Control Management
-  Shortage Management
-  Alternative Solution
-  Excess Inventory Management