

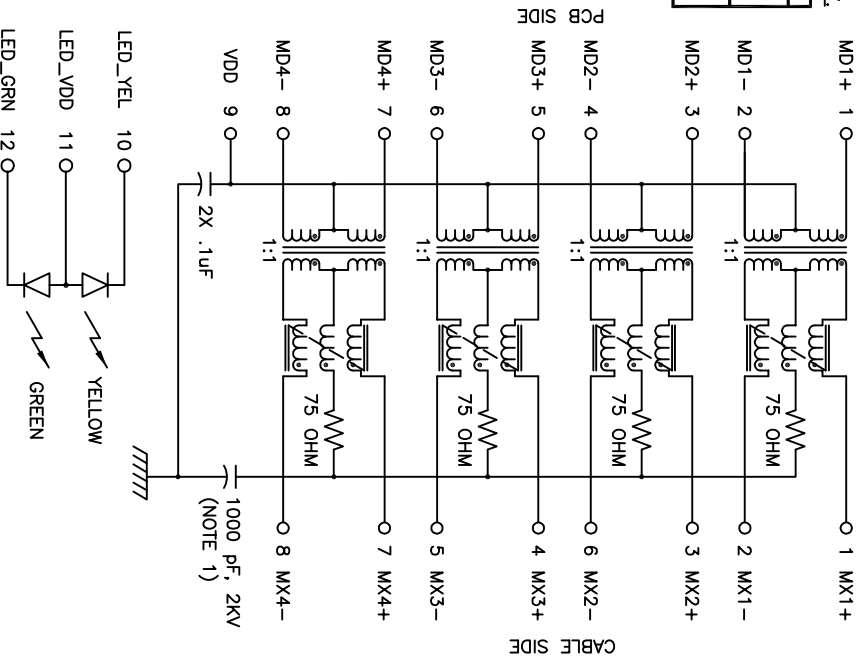


**THE DATASHEET OF  
JC0-1012NL**



IS: E21611Z

ESCH APPROVAL:	
OR APPROVAL:	
DATE:	



ELECTRICAL CHARACTERISTICS AT +25°C UNLESS OTHER SPECIFIED  
(FOR REFERENCE ONLY. USED FOR CUSTOMER INFORMATION.)

PARAMETER	SPECIFICATIONS	
OPERATING TEMPERATURE	0°C - 70°C	
TURNS RATIO	1.00 ± 2%	
POLARITY	PER SCHEMATIC	
INSERTION LOSS	100 KHz	1-100 MHz 125 MHz
	-1.2 dB MAX	-0.2-0.002*f <sup>1.4</sup> dB MAX -3.0 dB MAX
RETURN LOSS	.1-40 MHz	40-100 MHz
(Z OUT=100 OHM ±15%)	-16 dB MIN	-10+20*LOG <sub>10</sub> (f/80 MHz) dB MIN
INDUCTANCE (OCL) (MEDIA SIDE, 0°C-70°C)	350 uH MIN	(MEASURED AT 100 KHz, 100 mV(RMS) AND WITH 8 mA DC BIAS)
CROSSTALK, ADJACENT CHANNELS	1 MHz	10-100 MHz
	-50 dB MIN	-52+22*LOG <sub>10</sub> (f/10) dB MIN
COMMON MODE REFLECTION RATIO	2 MHz	30-200 MHz
	-50 dB MIN	-15+20*LOG <sub>10</sub> (f/200) dB MIN
INPUT - OUTPUT ISOLATION	2250 VDC MINIMUM FOR 60 SECONDS	

NOTE: f IS FREQUENCY IN MHZ.  
LED SPECIFICATIONS

EMMITTED COLOR	GREEN	ORANGE
WAVELENGTH (nm)	570 nm	607 nm
BRIGHTNESS (mcd)	8.5 TYP. @ 20mA	6 TYP. @ 20mA
VIEWING ANGLE	100°	100°
POWER DISSIPATION (Pd)	85 mW MAX	85 mW MAX
FORWARD VOLTAGE (Vf)	2.2 TO 2.8 V	2.15 TO 2.8 V
REVERSE VOLTAGE (Vr)	5.0 V MAX	5.0 V MAX



NOTE 1: HIGH-VOLTAGE CAPACITOR IS COMMON FOR UPPER AND LOWER PORTS.

RIGHTS reserved. Drawing specifications subject to change without notice. (09/13/12)	DESCRIPTION	PS DRAWING	SHEET:	DWG. NO./ PART NO.	REV.
	45,2X1,1GD,1:1,TY	PS-2316.001-A	1	JC0-1012NL	M12



## Looking for pricing, stock, or lifecycle information?

Click below to explore more details on WIN SOURCE:

-  [View JC0-1012NL on WIN SOURCE](#)
-  [Pulse Information](#)

## Optimize Your Supply Chain with WIN SOURCE Solutions

-  Global Sourcing Solution
-  Obsolete Management
-  Cost Control Management
-  Shortage Management
-  Alternative Solution
-  Excess Inventory Management