

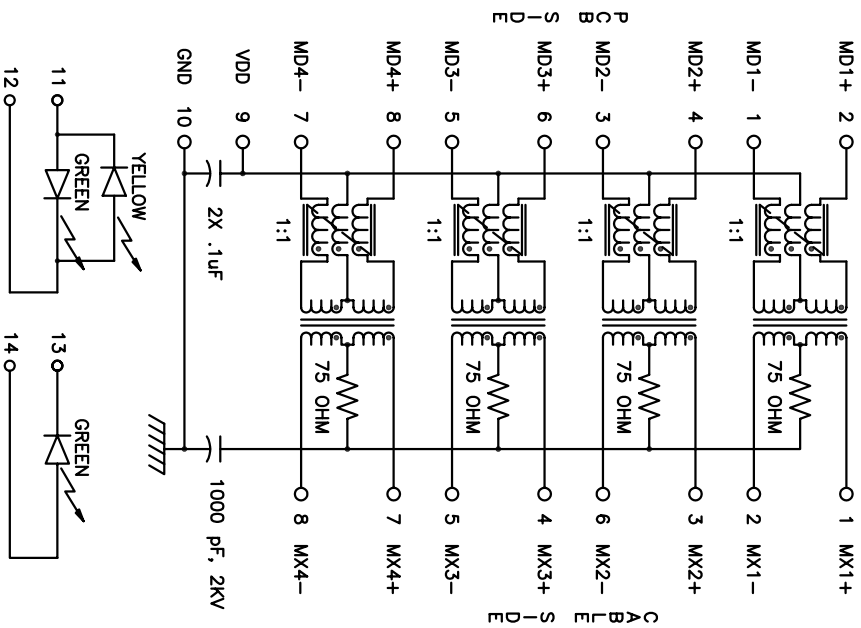


**THE DATASHEET OF
JC0-1011NL**



REV	DESCRIPTION
01	ES
02	ES
03	ES

IS: E21611Z



ELECTRICAL CHARACTERISTICS AT +25°C UNLESS OTHER SPECIFIED (FOR REFERENCE ONLY. USED FOR CUSTOMER INFORMATION.)

PARAMETER	SPECIFICATIONS	
OPERATING TEMP	0°C ~ 70°C	
TURNING RATIO	1 : 1 ±2%	
POLARITY	PER SCHEMATIC	
INSERTION LOSS	100 KHz	1-100 MHz
	-1.2 DB MAX	-0.2-0.002*f ^{1.4} DB MAX
RETURN LOSS (Z OUT=100 OHM ±15%)	.1-40 MHz	40-100 MHz
	-16 DB MIN	-10+20*LOG ₁₀ (f/80 MHz) DB MIN
INDUCTANCE (OCL) (MEDIA SIDE, 0°C-70°C)	350 uH MIN	(MEASURED AT 100 KHz, 100 mV(RMS) AND WITH 8 mA DC BIAS)
CROSSTALK, ADJACENT CHANNELS	1 MHz	10-100 MHz
	-50 DB MIN	-52+22*LOG ₁₀ (f/10) DB MIN
COMMON MODE REJECTION RATIO	2 MHz	30-200 MHz
	-50 DB MIN	-15+20*LOG ₁₀ (f/200) DB MIN
INPUT - OUTPUT ISOLATION	2250 VDC MINIMUM FOR 60 SECONDS	

NOTE: f IS FREQUENCY IN MHZ.

EMITTED COLOR	BI-COLOR		SINGLE-COLOR
	GREEN	YELLOW	
WAVELENGTH (nm)	565 nm	585 nm	568 nm
BRIGHTNESS (mcd)	8 TO 12 TYP. AT 20 mA	8 TO 12 TYP. AT 20 mA	8.5 TYP. AT 20 mA
VIEWING ANGLE	100°		100°
POWER DISSIPATION (Pd)	68 mW MAX	68 mW MAX	85 mW MAX
DC FORWARD CURRENT	25 mA MAX	30 mA MAX	30 mA MAX
REVERSE VOLTAGE (Vr)	5.0 V MAX	5.0 V MAX	5.0 V MAX



SCHEMATIC EACH PORT (2 PLACES)

NOTE 1: HIGH-VOLTAGE CAPACITOR IS COMMON FOR UPPER AND LOWER PORTS.

RIGHTS reserved. Drawing specifications subject to change without notice. (09/15/10)	DESCRIPTION	PS DRAWING	SHEET: 1	DWG. NO./ PART NO. JCO-1011NL	REV. M10
--	-------------	------------	----------	-------------------------------	----------

Looking for pricing, stock, or lifecycle information?

Click below to explore more details on WIN SOURCE:

-  [View JC0-1011NL on WIN SOURCE](#)
-  [Pulse Information](#)

Optimize Your Supply Chain with WIN SOURCE Solutions

-  Global Sourcing Solution
-  Obsolete Management
-  Cost Control Management
-  Shortage Management
-  Alternative Solution
-  Excess Inventory Management