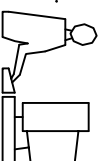


THIS IS A C.A.D. GENERATED DRAWING
DO NOT MAKE MANUAL REVISIONS TO MASTER.



PART NUMBER: 690-004-221-013

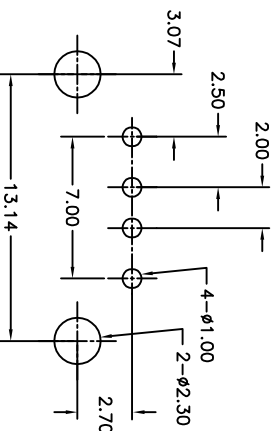
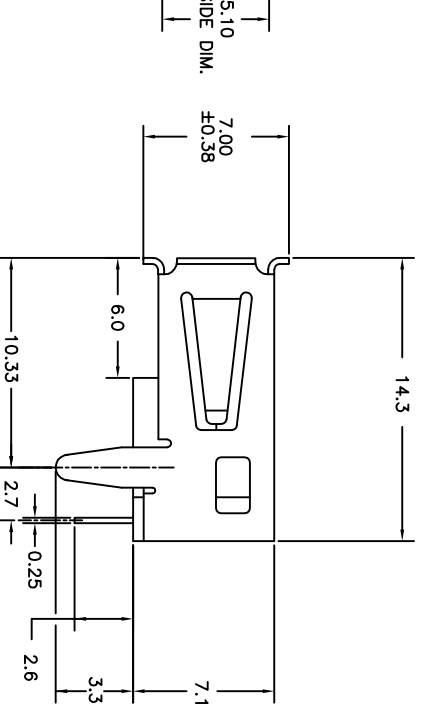
CONTACT CODE _____

ISSUE NUMBER	
PCB LAYOUT ADDED F.BRIONES JAN. 06/07	④
.037(0.95) HOLES WAS .027(.095) F.BRIONES MAY 029/09	⑤
NEW SHELL CLOSED FLANGE R.STAMONICA SEPT.21/2011	⑥
UPDATE MATERIALS & SPECS R.STAMONICA JAN.18/2016	⑦
ADD PACKAGING SPECS R.STAMONICA FEB.04/2016	⑧
DRAWING UPDATED N.SONDH FEB.26/2016	⑨

SPECIFICATIONS:
RECOMMENDED PCB THICKNESS: 1.20
MATING FORCE: 35N MAX
UNMATING FORCE: 10N MIN
PRODUCT SPECIFICATIONS REFER TO
690-004-X21-013 SPECS
TEST SUMMARY: REFER TO 690-004-X21-013 SPECS
PACKAGING: TRAY

MATERIALS:

SHELL: COPPER ALLOY, NICKEL PLATED
CONTACTS: C15191 COPPER ALLOY GOLD PLATING ON
CONTACT AREA AND BRIGHT TIN PLATING (120u" MAX) ON
TAIL END ALL OVER NICKEL UNDER PLATING (50u" MAX)
GOLD PLATING CONTACT CODE
GOLD FLASH 221 CONTACT CODE
15 MICRONS OF GOLD 321 CONTACT CODE
30 MICRONS OF GOLD 621 CONTACT CODE
INSULATOR: THERMOPLASTIC, UL 94V-0



PC BOARD MOUNTING DIMENSIONS

TOP VIEW

TOLERANCE: ±0.05mm

PCB THICKNESS: 1.2±0.05mm

DIMENSIONS IN MM



THIS SERIES FULLY CONFORMS TO THE
EUROPEAN UNION DIRECTIVES
2011/65/EU FOR ROHS COMPLIANCY.

USB CONNECTOR A TYPE, RIGHT ANGLE, SINGLE DECK

ACAD REFERENCE NO. 690-004-221-013

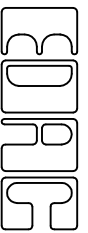
DRAWN: F.BRIONES DATE: FEB.16/98

CHECKED: DATE:

SCALE: (IN C.A.D. 1:1) SHEET 1 OF 2

DRAWING NUMBER ISSUE

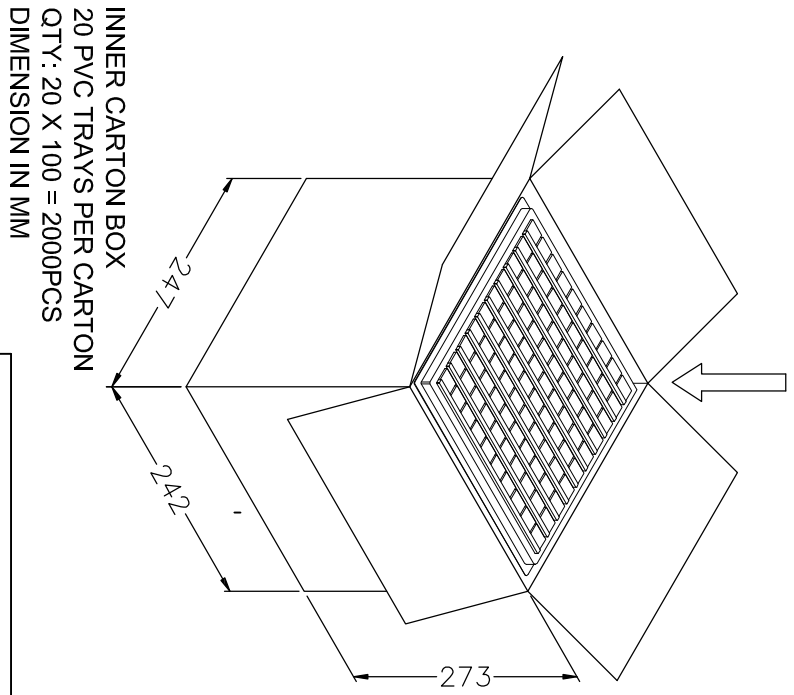
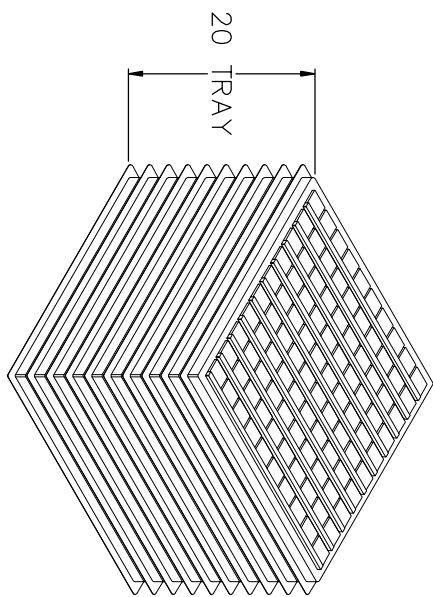
690-004-221-013 9



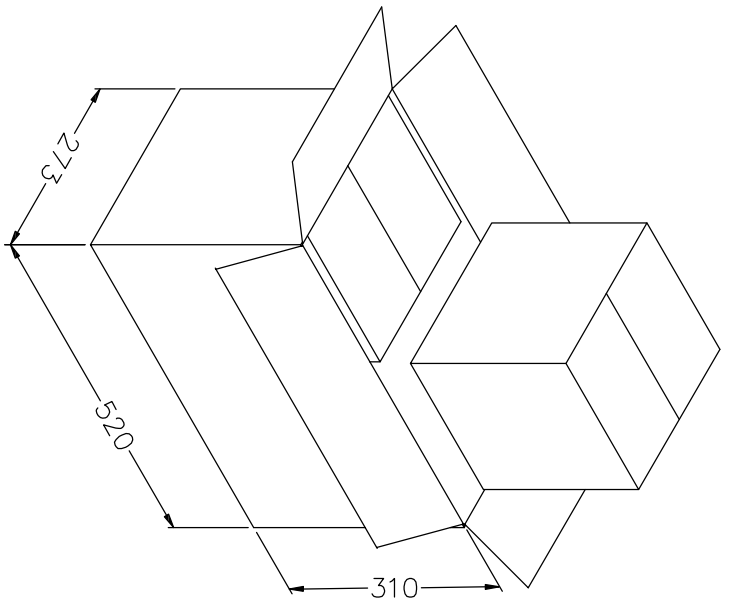
EDAC INC
TORONTO, ONTARIO
CANADA

YOUR CONNECTION TO QUALITY & SERVICE

THESE DRAWINGS AND SPECIFICATIONS
ARE THE PROPERTY OF EDAC INC. AND
SHALL NOT BE REPRODUCED, OR COPIED
OR USED AS THE BASIS FOR THE
MANUFACTURE OR SALE OF APPARATUS
WITHOUT WRITTEN PERMISSION.



INNER CARTON BOX
 20 PVC TRAYS PER CARTON
 QTY: 20 X 100 = 2000PCS
 DIMENSION IN MM




OUTER CARTON BOX
 2 INNER CARTON BOXES PER CARTON
 QTY: 2 X 2000 = 4000PCS
 DIMENSION IN MM




THIS SERIES FULLY CONFORMS TO THE
 EUROPEAN UNION DIRECTIVES
 2011/65/EU FOR ROHS COMPLIANCY.

USB CONNECTOR A TYPE, RIGHT ANGLE, SINGLE DECK
 PACKAGING SPECIFICATIONS

 EDAC INC TORONTO, ONTARIO CANADA YOUR CONNECTION TO QUALITY & SERVICE	THESE DRAWINGS AND SPECIFICATIONS ARE THE PROPERTY OF EDAC INC. AND SHALL NOT BE REPRODUCED, COPIED OR USED AS THE BASIS FOR THE MANUFACTURE OR SALE OF APPARATUS WITHOUT WRITTEN PERMISSION.	
	ACAD REFERENCE NO. 690-004-221-013 DRAWN: F. BRIONES CHECKED:	DATE: FEB. 16/98 DATE: SCALE: (IN C.A.D. 1:1) SHEET 2 OF 2 DRAWING NUMBER 690-004-221-013
	ISSUE	9

Looking for pricing, stock, or lifecycle information?

Click below to explore more details on WIN SOURCE:

 [View 690-004-621-013 on WIN SOURCE](#)

 [EDAC Inc. Information](#)

Optimize Your Supply Chain with WIN SOURCE Solutions

-  Global Sourcing Solution
-  Obsolete Management
-  Cost Control Management
-  Shortage Management
-  Alternative Solution
-  Excess Inventory Management