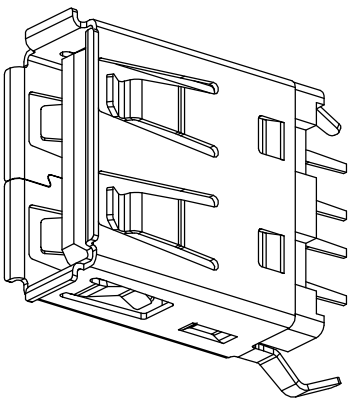
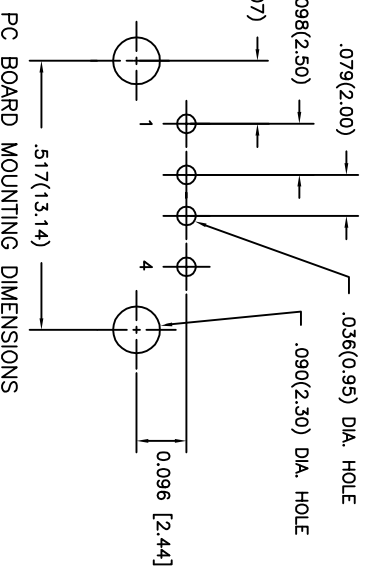


GENERAL TOLERANCES: ±0.10(0.25) EXCEPT ON PCB LAYOUT AND CONTACTS SPACING ±.006(0.15)



ELECTRICAL:

RATED CURRENT: 1.5A

RATED VOLTAGE: 30V (rms) MAX

FORCES:

MATING FORCE: 35N MAX

UNMATING FORCE: 10N MIN

MATERIALS:

SHELL: COPPER ALLOY, NICKEL PLATED

CONTACTS: COPPER ALLOY GOLD PLATE ON CONTACT AREA

TIN ON TAIL END

GOLD FLASH

30 MICRONS OF GOLD 260 CONTACT CODE

INSULATOR: THERMOPLASTIC (HIGH TEMPERATURE RESISTANCE) 660 CONTACT CODE

PART NUMBER: 690-004-260-013

CONTACT CODE

| ISSUE NUMBER |
|---|
| RE-DWG. APR.22/08 ⑤ |
| F.BRIONES |
| RE-DWG. SEP.14/08 ⑥ |
| F.BRIONES |
| REMOVE 15u" GOLD RSTA.MONICA JUN.29/10 ⑦ |
| RSTA.MONICA |
| TAILS DIM'S ADDED F.BRIONES JUN.22/11 ⑧ |
| F.BRIONES |
| TOLERANCES ADDED F.BRIONES JUN.29/11 ⑨ |
| F.BRIONES |
| ADD NOTES FORCES RSTA.MONICA JUN.26/14 ⑩ |
| RSTA.MONICA |
| NEW METAL SHELL RSTA.MONICA SEPT.12/14 ⑪ |
| RSTA.MONICA |
| ADD ELEC. SPECS RSTA.MONICA APR.11/2016 ⑫ |
| RSTA.MONICA |
| NEW TOOLING RSTA.MONICA OCT.30/2016 ⑬ |
| RSTA.MONICA |



THIS SERIES FULLY CONFORMS TO THE EUROPEAN UNION DIRECTIVES 2011/65/EU FOR ROHS COMPLIANCY.

USB CONNECTOR A TYPE, VERTICAL, SINGLE DECK

EDAC INC
TORONTO, ONTARIO
CANADA
YOUR CONNECTION TO QUALITY & SERVICE

THESE DRAWINGS AND SPECIFICATIONS ARE THE PROPERTY OF EDAC INC. AND SHALL NOT BE REPRODUCED OR COPIED OR USED AS THE BASIS FOR THE MANUFACTURE OR SALE OF APPARATUS WITHOUT WRITTEN PERMISSION.

| | |
|------------------------------------|-----------------|
| ACAD REFERENCE NO. 690-004-260-013 | DATE: OCT 16/98 |
| DRAWN: J.CHOW | DATE: |
| CHECKED: | SHEET 1 OF 1 |
| SCALE: (IN C.A.D. 1:1) | ISSUE 13 |
| DRAWING NUMBER 690-004-260-013 | |

Looking for pricing, stock, or lifecycle information?

Click below to explore more details on WIN SOURCE:

 [View 690-004-660-013 on WIN SOURCE](#)

 [EDAC Inc. Information](#)

Optimize Your Supply Chain with WIN SOURCE Solutions

-  Global Sourcing Solution
-  Obsolete Management
-  Cost Control Management
-  Shortage Management
-  Alternative Solution
-  Excess Inventory Management