



THE DATASHEET OF
690-004-660-023

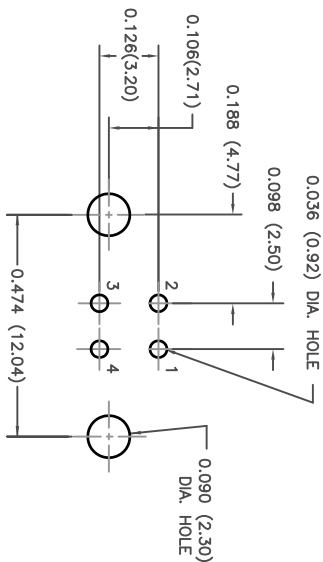


THIS IS A C.A.D. GENERATED DRAWING
DO NOT MAKE MANUAL REVISIONS TO MASTER.

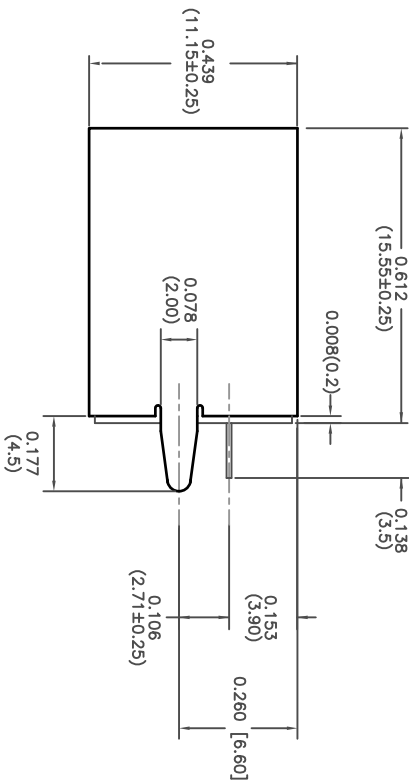
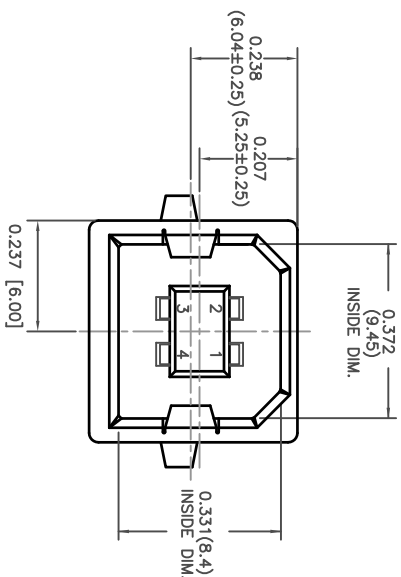
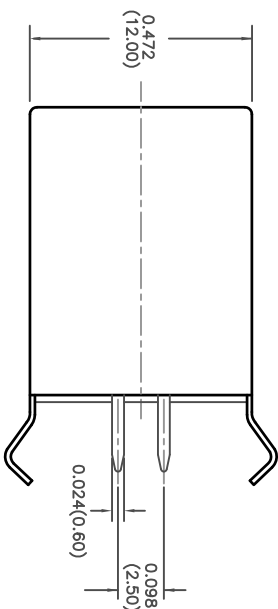


TOLERANCE:
IN MM
.XX ±0.01
.XXX ±0.006
.XXXX ±0.002
MM
.x: ±0.25
.xx: ±0.15
.xxx: ±0.05

ISSUE NUMBER	
ORIGINAL	①
DM: 0.612(15.55) WAS 0.63(16.0)	
0.439(11.15) WAS 0.445(11.30)	
0.153(3.90) WAS 0.146(3.70)	⑥
ADD DIM: 0.238(6.04), 0.207(5.25)	
0.177(4.5), 0.078(2.0), 0.024(0.60)	
R. STA. MONICA	JUN. 10/2010



PC BOARD MOUNTING DIMENSIONS



MATERIAL: HOUSING: PBT GLASS FILLED, WHITE COLOR
CONTACTS: PHOSPHOR BRONZE, GOLD PLATED ON CONTACT AREA WITH TIN PLATING ON TAIL
SHELL: BRASS, NICKEL PLATED
BOTTOM COVER: PBT GLASS FILLED WHITE COLOR
CONTACT PLATING GOLD PLATING PART NO.
GOLD FLASH 690-004-260-023
15 MICRONS OF GOLD 690-004-360-023
30 MICRONS OF GOLD 690-004-660-023

PART NUMBER: 690-004-260-023

CONTACT CODE _____

- SPECIFICATIONS:
1. CONTACT RESISTANCE:
30 MOHM MAX
 2. INSULATION RESISTANCE:
100MOHM MIN AT 500VDC
 3. RATED VOLTAGE AND CURRENT:
1.5A @ 250VAC MIN.
 4. DIELECTRIC WITHSTANDING VOLTAGE:
500VAC (RMS) FOR 1MIN
 5. INSERTION FORCE: 35N MIN
 6. EXTRACTION FORCE: 10N MIN



THIS SERIES FULLY CONFORMS TO THE
EUROPEAN UNION DIRECTIVES 2002/95/EC
AND 2002/96/EC FOR ROHS COMPLIANCY.

USB CONNECTOR B TYPE, VERTICAL, SINGLE DECK

EDAC INC
TORONTO, ONTARIO
CANADA

THESE DRAWINGS AND SPECIFICATIONS
ARE THE PROPERTY OF EDAC INC. AND
SHALL NOT BE REPRODUCED, OR COPIED
OR USED AS THE BASIS FOR THE
MANUFACTURE OR SALE OF APPARATUS
WITHOUT WRITTEN PERMISSION.

ACAD REFERENCE NO.	690-004-260-023
DRAWN: J. CHOW	DATE: OCT 16/98
CHECKED:	DATE:
SCALE: (IN C.A.D. 1:1)	SHEET 1 OF 1
DRAWING NUMBER	ISSUE
690-004-260-023	6

Looking for pricing, stock, or lifecycle information?

Click below to explore more details on WIN SOURCE:

 [View 690-004-660-023 on WIN SOURCE](#)

 [EDAC Inc. Information](#)

Optimize Your Supply Chain with WIN SOURCE Solutions

-  Global Sourcing Solution
-  Obsolete Management
-  Cost Control Management
-  Shortage Management
-  Alternative Solution
-  Excess Inventory Management