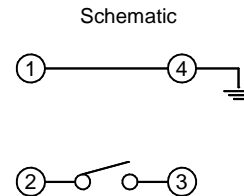
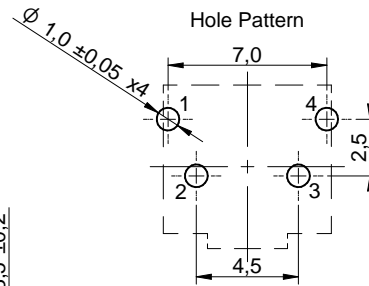
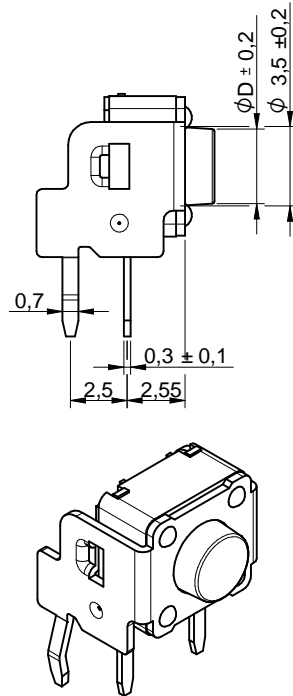
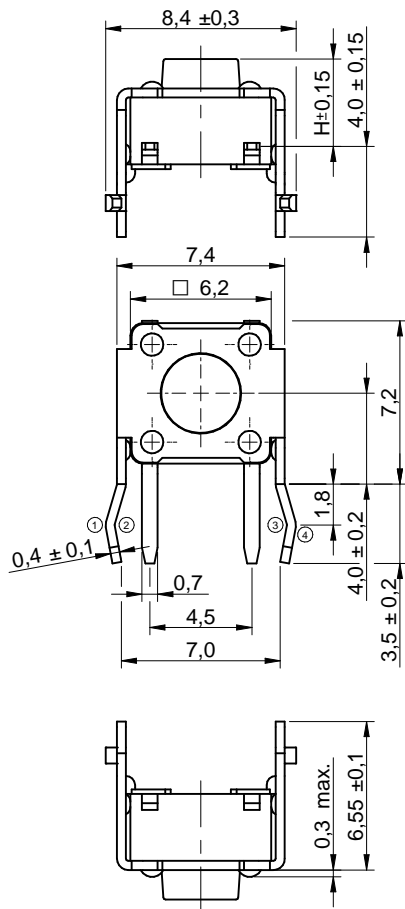




**THE DATASHEET OF**  
**431256031736**





### SPECIFICATION

>Rating : 50mA, 12VDC  
 >Contact Resistance :  
 Initial : 100mΩ max.  
 After Life Test : 2Ω max.  
 >Insulation Resistance : min. 100MΩ at 500VDC  
 >Dielectric Strength : 250VAC for 1 minute  
 >Stroke : 0.25 +0.2mm / -0.1mm  
 >Bounce : 10ms max.

### MATERIAL

>Cover : Carbon Steel Plate  
 >Stem : LCP UL 94 V-0  
 >Frame : PA9T UL 94 V-0 , color Black  
 >Contact : Stainless Steel with silver  
 >Terminal : Copper alloy with silver plating

### SOLDERING INFORMATION

>Terminal in THT version  
 >Wave soldering 260°C 10sec. max  
 >Hand soldering under 350°C for 3 sec. max

### ENVIRONMENTAL

Storage condition : -40°C ~ +85°C  
 Operation condition : -40°C ~ +85°C  
 Compliance : Lead Free , ROHS , Reach

### PACKAGING INFORMATION

>Bulk

PN	Force	Color of Stem	Life cycle	-031		-038		-058		-083	
				H	ØD	H	ØD	H	ØD	H	ØD
431 256 xxx 716	160g ± 50gf	Black	200.000	3.15	3.5	3.85	3.5	5.85	3.0	8.35	3.0
431 256 xxx 726	260g ± 50gf	White	200.000	3.15	3.5	3.85	3.5	5.85	3.0	8.35	3.0
431 256 xxx 736	360g ± 80gf	Salmon	200.000	3.15	3.5	3.85	3.5	5.85	3.0	8.35	3.0

Scale - 3:1

REV.	FILE	DATE	BY	WÜRTH ELEKTRONIK eiSos GmbH & Co. KG EMC & Inductive Solutions Max-Eyth-Str. 1 74638 Waldenburg Germany com. +49 79 42 945 - 0 www.we-online.de eiSos@we-online.de	CREATED WJ	CHECKED Hsu	GENERAL TOLERANCE DIN ISO 2768-1m	PROJECTION METHOD FIRST ANGLE	SCALE 3:1	
1.5	Material change	14-08-19	AL		DESCRIPTION <b>SwTATU Right angle Tact Switch</b>				TECHNICAL REFERENCE	
1.4	Revised MatchCode	14-07-25	AL		ORDER CODE 431 256 xxx 7x6					
1.3	Bounce 10ms max.	14-04-11	DaF		SIZE 6x6 mm RA, THT				STATUS Released	
1.2	New values in chart	12-09-13	WJ		DATE 2011-05-17				BUSINESS UNIT eiCan	
1.1	Warning text	11-10-28	WJ		PAGE 1 / 1					

This electronic component has been designed and developed for usage in general electronic equipment only. This product is not authorized for use in equipment where a higher safety standard and reliability standard is especially required or where a failure of the product is reasonably expected to cause severe personal injury or death, unless the parties have executed an agreement specifically governing such use. Moreover Würth Elektronik eiSos GmbH & Co KG products are neither designed nor intended for use in areas such as military, aerospace, aviation, nuclear control, submarine, transportation (automotive control, train control, ship control), transportation signal, disaster prevention, medical, public information network etc.. Würth Elektronik eiSos GmbH & Co KG must be informed about the intent of such usage before the design-in stage. In addition, sufficient reliability evaluation checks for safety must be performed on every electronic component which is used in electrical circuits that require high safety and reliability functions or performance.

## Looking for pricing, stock, or lifecycle information?

Click below to explore more details on WIN SOURCE:

 [View 431256031736 on WIN SOURCE](#)

 [Wurth Electronics Inc Information](#)

## Optimize Your Supply Chain with WIN SOURCE Solutions

-  Global Sourcing Solution
-  Obsolete Management
-  Cost Control Management
-  Shortage Management
-  Alternative Solution
-  Excess Inventory Management