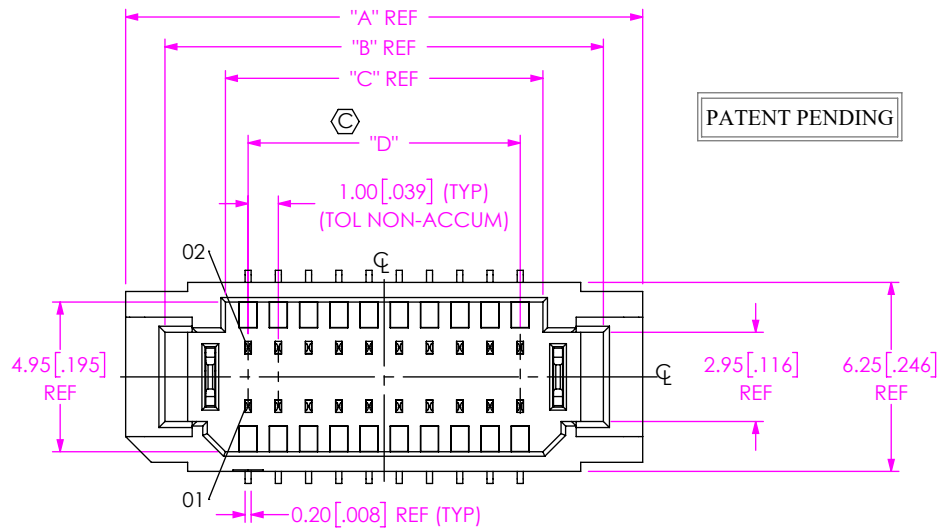




**THE DATASHEET OF
T1M-05-T-DV**



DO NOT
SCALE FROM
THIS PRINT



PATENT PENDING

No OF POSITIONS (PER ROW)
-02 THRU -20

PLATING SPECIFICATION
-T: MATTE TIN CONTACT AND TAIL
(FOR EXISTING CUSTOMER ONLY)
-GF: 3µ" GOLD CONTACT AND TAIL

OPTION
TAPE & REEL (SEE NOTES 3.4 & 5)
-BLANK: TAPE & REEL
-FR: FULL REEL QTY TAPE & REEL

OPTION
-K: POLYAMIDE FILM
(SEE FIG 2 & TABLE 2, SHT 3)

TAIL OPTION
-DV: VERTICAL

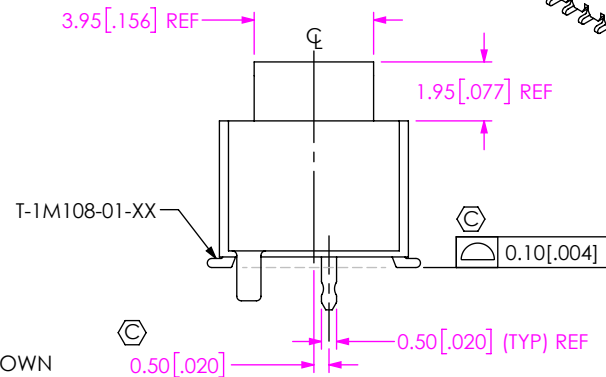
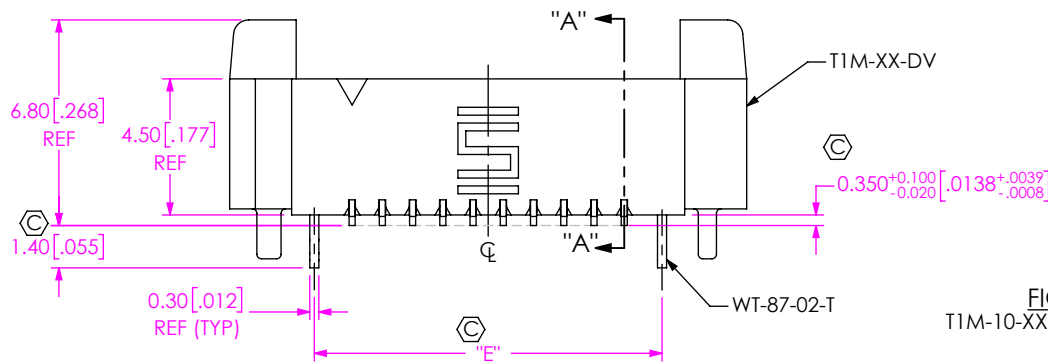
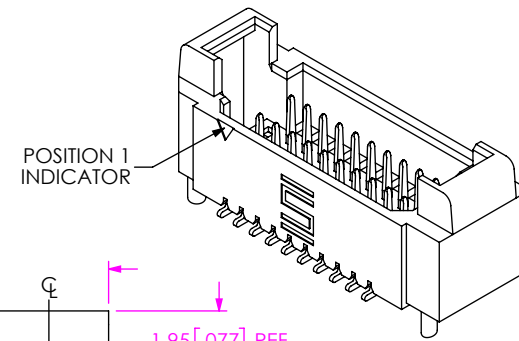
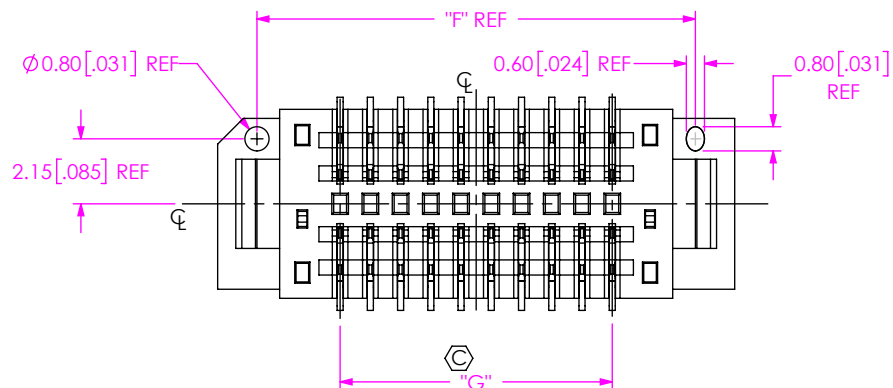


FIG 1
T1M-10-XX-DV SHOWN



NOTES:

1. Ⓢ REPRESENTS A CRITICAL DIMENSION.
2. MINIMUM PUSHOUT FORCE: SIGNAL: 2.23N [0.5 LB], WELD TAB: 4.45N [1 LB].
3. PARTS TO BE PACKAGED IN TAPE AND REEL.
4. ORDERS WILL BE PACKAGED ACCORDING TO THE SAMTEC PACKAGING EFFICIENCY STANDARDS (SPES) FOUND ON WWW.SAMTEC.COM
5. ATTACH LABEL TO EACH REEL.

UNLESS OTHERWISE SPECIFIED,
DIMENSIONS ARE IN MILLIMETERS.
TOLERANCES ARE:
DECIMALS ANGLES
X.X: ±0.3 [0.1]
X.XX: ±0.13 [0.05]
X.XXX: ±0.051 [0.020]

PROPRIETARY NOTE

THIS DOCUMENT CONTAINS CONFIDENTIAL AND PROPRIETARY INFORMATION AND ALL DESIGN, MANUFACTURING, REPRODUCTION, USE, PATENT RIGHTS AND SALES RIGHTS ARE EXPRESSLY RESERVED BY SAMTEC, INC. THIS DOCUMENT SHALL NOT BE DISCLOSED, IN WHOLE OR PART, TO ANY UNAUTHORIZED PERSON OR ENTITY NOR REPRODUCED, TRANSFERRED OR INCORPORATED IN ANY OTHER PROJECT IN ANY MANNER WITHOUT THE EXPRESS WRITTEN CONSENT OF SAMTEC, INC.

MATERIAL: DO NOT SCALE DRAWING SHEET SCALE: 4:1
INSULATOR: LCP, UL 94-V0; COLOR: NATURAL
TERMINAL: PHOS BRONZE
WELD TAB: PHOS BRONZE



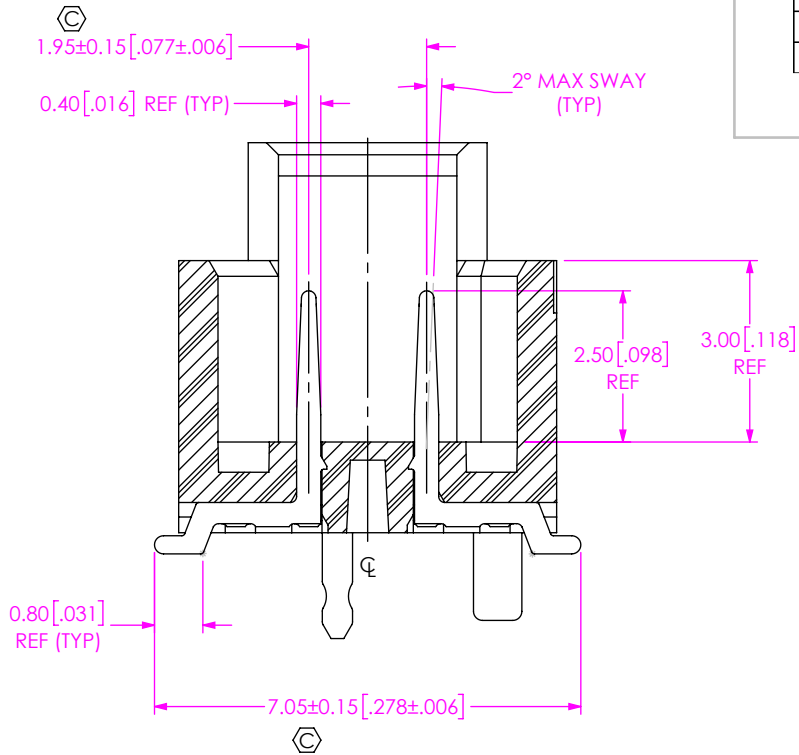
520 PARK EAST BLVD., NEW ALBANY, IN 47150
PHONE: 812-944-6733 FAX: 812-948-5047
e-Mail: info@SAMTEC.com code 53322

DESCRIPTION:
1 MM DOUBLE ROW DISCRETE WIRE HEADER

DWG. NO. T1M-XX-XX-DV-X-XR


BY: ROY LUO 06/22/2013 SHEET 1 OF 3

No OF POS	"A"	"B"	"C"	"D"	"E"	"F"	"G"
-02	9.10 [0.358]	6.50 [0.256]	2.50 [0.098]	1.00 [0.039]	3.500 [0.1378]	6.50 [0.256]	1.000 [0.0394]
-03	10.10 [0.398]	7.50 [0.295]	3.50 [0.138]	2.00 [0.079]	4.500 [0.1772]	7.50 [0.295]	2.000 [0.0787]
-04	11.10 [0.437]	8.50 [0.335]	4.50 [0.177]	3.00 [0.118]	5.500 [0.2165]	8.50 [0.335]	3.000 [0.1181]
-05	12.10 [0.476]	9.50 [0.374]	5.50 [0.217]	4.00 [0.157]	6.500 [0.2559]	9.50 [0.374]	4.000 [0.1575]
-06	13.10 [0.516]	10.50 [0.413]	6.50 [0.256]	5.00 [0.197]	7.500 [0.2953]	10.50 [0.413]	5.000 [0.1969]
-07	14.10 [0.555]	11.50 [0.453]	7.50 [0.295]	6.00 [0.236]	8.500 [0.3346]	11.50 [0.453]	6.000 [0.2362]
-08	15.10 [0.594]	12.50 [0.492]	8.50 [0.335]	7.00 [0.276]	9.500 [0.3740]	12.50 [0.492]	7.000 [0.2756]
-09	16.10 [0.634]	13.50 [0.531]	9.50 [0.374]	8.00 [0.315]	10.500 [0.4134]	13.50 [0.531]	8.000 [0.3150]
-10	17.10 [0.673]	14.50 [0.571]	10.50 [0.413]	9.00 [0.354]	11.500 [0.4528]	14.50 [0.571]	9.000 [0.3543]
-11	18.10 [0.713]	15.50 [0.610]	11.50 [0.453]	10.00 [0.394]	12.500 [0.4921]	15.50 [0.610]	10.000 [0.3937]
-12	19.10 [0.752]	16.50 [0.650]	12.50 [0.492]	11.00 [0.433]	13.500 [0.5315]	16.50 [0.650]	11.000 [0.4331]
-13	20.10 [0.791]	17.50 [0.689]	13.50 [0.531]	12.00 [0.472]	14.500 [0.5709]	17.50 [0.689]	12.000 [0.4724]
-14	21.10 [0.831]	18.50 [0.728]	14.50 [0.571]	13.00 [0.512]	15.500 [0.6102]	18.50 [0.728]	13.000 [0.5118]
-15	22.10 [0.870]	19.50 [0.768]	15.50 [0.610]	14.00 [0.551]	16.500 [0.6496]	19.50 [0.768]	14.000 [0.5512]
-16	23.10 [0.909]	20.50 [0.807]	16.50 [0.650]	15.00 [0.591]	17.500 [0.6890]	20.50 [0.807]	15.000 [0.5906]
-17	24.10 [0.949]	21.50 [0.846]	17.50 [0.689]	16.00 [0.630]	18.500 [0.7283]	21.50 [0.846]	16.000 [0.6299]
-18	25.10 [0.988]	22.50 [0.886]	18.50 [0.728]	17.00 [0.669]	19.500 [0.7677]	22.50 [0.886]	17.000 [0.6693]
-19	26.10 [1.028]	23.50 [0.925]	19.50 [0.768]	18.00 [0.709]	20.500 [0.8071]	23.50 [0.925]	18.000 [0.7087]
-20	27.10 [1.067]	24.50 [0.965]	20.50 [0.807]	19.00 [0.748]	21.500 [0.8465]	24.50 [0.965]	19.000 [0.7480]



SECTION "A"-"A"
SCALE 8 : 1

F:\DWG\MISC\MKTG\T1M-XX-DV-X-XR-MKT.SLDDRW

<p>PROPRIETARY NOTE</p> <p>THIS DOCUMENT CONTAINS CONFIDENTIAL AND PROPRIETARY INFORMATION AND ALL DESIGN, MANUFACTURING, REPRODUCTION, USE, PATENT RIGHTS AND SALES RIGHTS ARE EXPRESSLY RESERVED BY SAMTEC, INC. THIS DOCUMENT SHALL NOT BE DISCLOSED, IN WHOLE OR PART, TO ANY UNAUTHORIZED PERSON OR ENTITY NOR REPRODUCED, TRANSFERRED OR INCORPORATED IN ANY OTHER PROJECT IN ANY MANNER WITHOUT THE EXPRESS WRITTEN CONSENT OF SAMTEC, INC.</p>	 <p>520 PARK EAST BLVD, NEW ALBANY, IN 47150 PHONE: 812-944-6733 FAX: 812-948-5047 e-Mail info@SAMTEC.com code 55322</p>	
	<p>DO NOT SCALE DRAWING</p> <p>SHEET SCALE: 4:1</p>	<p>DESCRIPTION: 1 MM DOUBLE ROW DISCRETE WIRE HEADER</p> <p>DWG. NO. T1M-XX-XX-DV-X-XR</p>
	<p>BY: ROY LUO 06/22/2013</p>	<p>SHEET 2 OF 3</p>

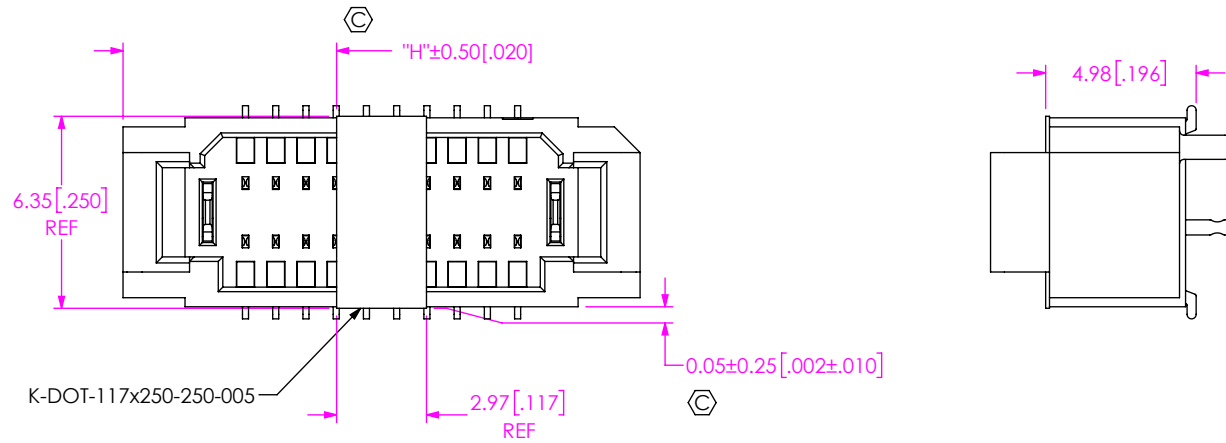


FIG 2
-K: POLYAMIDE FILM
(T1M-10-XX-DV-K SHOWN)

TABLE 2

No OF POS	"H"
-02	3.06 [0.121]
-03	3.56 [0.140]
-04	4.06 [0.160]
-05	4.56 [0.180]
-06	5.06 [0.199]
-07	5.56 [0.219]
-08	6.06 [0.239]
-09	6.56 [0.258]
-10	7.06 [0.278]
-11	7.56 [0.298]
-12	8.06 [0.317]
-13	8.56 [0.337]
-14	9.06 [0.357]
-15	9.56 [0.376]
-16	10.06 [0.396]
-17	10.56 [0.416]
-18	11.06 [0.436]
-19	11.56 [0.455]
-20	12.06 [0.475]

• PROPRIETARY NOTE •
THIS DOCUMENT CONTAINS CONFIDENTIAL AND PROPRIETARY INFORMATION AND ALL DESIGN, MANUFACTURING, REPRODUCTION, USE, PATENT RIGHTS AND SALES RIGHTS ARE EXPRESSLY RESERVED BY SAMTEC, INC. THIS DOCUMENT SHALL NOT BE DISCLOSED, IN WHOLE OR PART, TO ANY UNAUTHORIZED PERSON OR ENTITY NOR REPRODUCED, TRANSFERRED OR INCORPORATED IN ANY OTHER PROJECT IN ANY MANNER WITHOUT THE EXPRESS WRITTEN CONSENT OF SAMTEC, INC.



520 PARK EAST BLVD, NEW ALBANY, IN 47150
PHONE: 812-944-6733 FAX: 812-948-5047
e-Mail info@SAMTEC.com code 55322

DO NOT SCALE DRAWING

SHEET SCALE: 4:1



DESCRIPTION:
1 MM DOUBLE ROW DISCRETE WIRE HEADER

DWG. NO. T1M-XX-XX-DV-X-XR

BY: ROY LUO 06/22/2013 SHEET 3 OF 3

Looking for pricing, stock, or lifecycle information?

Click below to explore more details on WIN SOURCE:

-  [View T1M-05-T-DV on WIN SOURCE](#)
-  [Samtec Inc. Information](#)

Optimize Your Supply Chain with WIN SOURCE Solutions

-  Global Sourcing Solution
-  Obsolete Management
-  Cost Control Management
-  Shortage Management
-  Alternative Solution
-  Excess Inventory Management