

cannon

D-Sub Accessories Catalog



ITT

We Connect

When it matters most

For more than a century, ITT Cannon has developed innovative interconnect solutions for the world's harshest environments. With facilities in the United States, Germany, Italy, Mexico, China and Japan, each with its unique strengths, we offer our customers interconnect solutions that are truly Engineered for Life.

In addition to this truly global footprint, we offer highly specialized, segmented industry expertise. We have a proven track record as an industry leader in harsh-environment applications. This has equipped us with the knowledge needed to continue to produce the most resilient, reliable connectors for our customers' most challenging conditions.

Interconnect solutions for the harshest environments.

The ITT Cannon difference

- Global capabilities & local support
- Proven application expertise
- A century of interconnect leadership
- A committed innovator & business partner

The logo for Cannon, featuring the word "cannon" in a lowercase, sans-serif font. The letter "o" is replaced by a stylized icon of a three-pronged electrical plug.

About ITT

ITT is a diversified leading manufacturer of highly engineered critical components and customized technology solutions for the energy, transportation and industrial markets. Building on its heritage of innovation, ITT partners with its customers to deliver enduring solutions to the key industries that underpin our modern way of life. Founded in 1920, ITT is headquartered in Stamford, Connecticut, with employees in more than 35 countries and sales in a total of approximately 125 countries. For more information, visit itt.com.





Industrial/Instrumentation



Defense Vehicles



Medical



Heavy Equipment



Rail



Oil & Gas



Commercial & Military Aerospace

Our connector portfolio remains the most extensive in the industry.

Offering a reliable and cost effective range of interconnect solutions.

Introduction to D-Sub Accessories

Originally designed & patented by Cannon engineers for use on commercial & military aviation systems, D-Sub Connectors were manufactured as a smaller, lightweight alternative to many of the large, heavier circular electronic plugs of the time. This small but robust rectangular interconnect solution was quickly adopted across a number of applications and industries, and the Cannon D-Sub soon became the first multi-purpose connector of its kind.

Today, Cannon offers an array of commercial or military grade D-Sub styles, sizes, configurations and accessories.

- EMI Shielded, Metal or Plastic Backshells
- Straight or Angled Exit
- One –Piece Snap Together or Locking Backshells
- Locking Hardware
- Guide Pin Plates
- Interfacial Seals
- Dust Camps

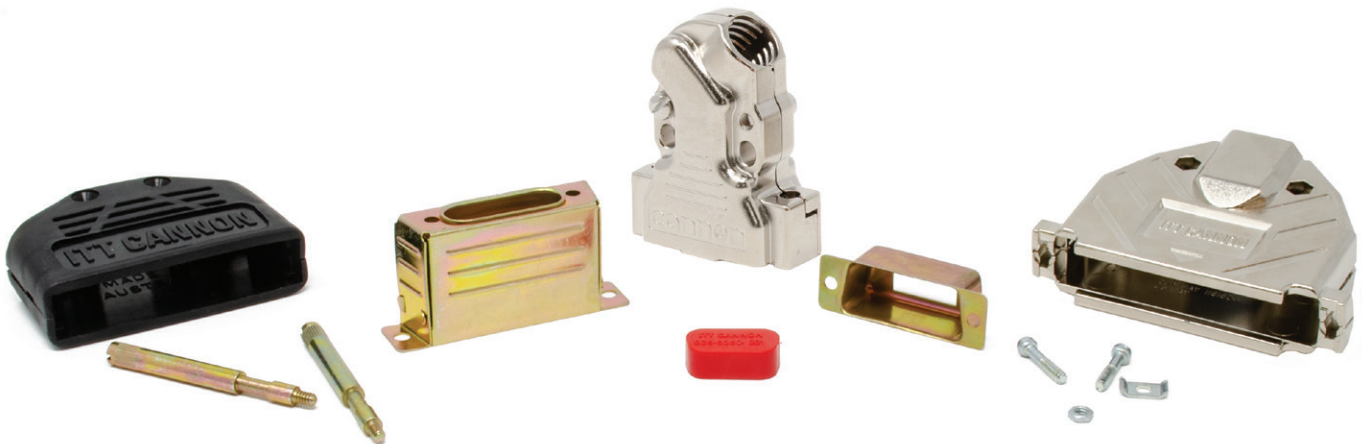


Table of contents

We Connect when it matters most	2
Introduction to D-Sub Accessories	4
Accessory Selection Guide	6
Aluminum Metal Backshell	
Aluminum D-Sub Backshell Ordering Guide	7
Zinc Metal Backshell	
Die Cast Zinc, EMI Shielded Straight Exit	9
Zinc Metal Backshell Straight Exit	10
Zinc Metal Backshell 45° Exit	11
Clamps	12-13
Plastic Backshell	
Snap-Together Metalized Plastic, EMI Shielded	14
Locking Hardware for Snap-Together	
Plastic Backshell	15
Low Cost Metalized Plastic, Straight Exit	15
Snap-Together Universal	16
One-Piece Snap-Together	16
One-Piece Straight Exit	17
One-Piece Plastic, 90° Exit	17
Locking Hardware	
Screw Lock Assemblies	18-19
Slide Lock Assemblies	20
Spring Latch Assemblies	21
Jackscrew/Jackpot Assemblies	22
Guide Pin Plate	
Female Guide Pin Plate	23
Male Guide Pin Plate	24
Connector Saver	
High Reliability Connector Saver	25
Miscellaneous	
Polarizing Plates	26
Right Angle Brackets	26
Wire Hole Fillers	26
Dust Cap	27
Interfacial Seal	27
Potting Shell	27
Part Number Index	28
D-Subminiature Connectors	29
About ITT Cannon	30
Product Safety Warranty	31

D-Sub Accessories Guide for Backshells and Locking Hardware

Backshell Locking Hardware

Backshell Material	Backshell Style	Female Screw Lock see page 19	Male crew Lock see page 18	Sliding Lock Retainer see page 20	Slide Lock Post see page 20	Spring Latch Plate see page 21	Spring Latch see page 21	Jackscrew Assembly see page 22	Jackpost Assembly see page 22	Recessed Jackscrew see page 15	Extended Jackscrew see page 15	Thumbscrew see page 15	Jackpost for In-Line Connections see page 15
EMI Shielded	Snap-Together Metalized Plastic Straight Exit see page 14	—	—	—	—	—	—	—	—	●	●	●	●
EMI Shielded	Snap-Together Metalized Plastic 50° Exit see page 14	—	—	—	—	—	—	—	—	●	●	●	●
EMI Shielded	Die Cast Zinc Metal see page 11	—	▲	—	—	—	—	—	—	—	—	—	—
EMI Shielded Aluminum Metal Backshell	Straight, 45°, 90° Exit see page 7	EMI shielded aluminum metal backshells may be ordered with or without hardware. Please reference page 7 for all hardware options including jackpost, spring latch, spring latch plate, side latch screws, slide latch locking post, rack mount, and tie down straps.											
Zinc Metal Backshell	Metal Backshell 45° Exit see page 9	—	—	—	—	—	—	—	—	—	—	—	—
Zinc Metal Backshell	Deep Straight Clamp see page 12	●	●	●	●	●	—	—	●	—	—	—	—
Zinc Metal Backshell	Round Cable Clamp see page 12	●	●	●	●	●	—	—	●	—	—	—	—
Zinc Metal Backshell	Short Straight Clamp see page 13	●	●	●	●	●	—	—	●	—	—	—	—
Zinc Metal Backshell	90° Entry see page 13	●	●	●	●	●	—	—	—	—	—	—	—
Plastic	Snap-Together Universal see page 16	●	●	—	—	—	—	—	—	—	—	—	—
Plastic	One-Piece Snap-Together see page 16	—	▲	—	—	—	—	—	—	—	—	—	—
Plastic	One-Piece Plastic Straight Exit see page 17	—	—	●	●	●	—	—	—	—	—	—	—
Plastic	One-Piece Plastic 90° Exit see page 17	—	—	●	●	●	—	—	—	—	—	—	—

▲ Supplied with backshell ● Optional compatible locking hardware — Not compatible

Aluminum Metal Backshell



Lightweight, High-Performance Straight, 90°, and 45° Aluminum Backshells with EMI Shielding



ITT Cannon's new aluminum backshell technology meets all harsh-environment performance requirements while providing over 50% weight reduction compared to traditional D-Sub backshells without compromising on Electromagnetic Interference (EMI) Shielding and maximum wire termination space and protection.

Specifications	
Temperature Range	-60 deg. C to 200 deg. C
Material & Finish	
Backshell Material:	A380 die cast Aluminum
Backshell Finish:	Electroless Nickel
Hardware Material	Stainless Steel
Hardware Finish	Passivate

Product Features

- Straight, 45°, and 90° cable exit
- Optimal EMI shielding performance with minimal air gaps
- Innovative, lightweight A380 aluminum construction
- Electroless Nickel Plating
- 360° compression shielding
- Front mounting with #4-40 fillister head screws
- Side mount slots accommodating ty-wrap or #4-40 fillister head screws
- RoHS and REACH Compliance (EMI) Shielding and maximum wire termination space and protection

Aluminum D-Sub Backshell Ordering Guide

	1- Series	2- Shell Size	3- Type	4- Orientation	5- Entry Size Code	6- Mounting Hardware Code	7- Attachment Options
PN Example	D	E	BS	S	09	0	

1- Series	
D	D-Subminiature
2- Shell Size	
E	Size 9 (MIL-DTL-24308 Size 1)
A	Size 15 (MIL-DTL-24308 Size 2)
B	Size 25 (MIL-DTL-24308 Size 3)
C	Size 37 (MIL-DTL-24308 Size 4)
D	Size 50 (MIL-DTL-24308 Size 5)

3- Type	
BS	Backshell
4- Orientation	
S	Straight Exit
A	45 Degree Exit
B	90 Degree Exit
5- Entry Size Code	
See Table Below	

6- Mounting Hardware Code	
0	Backshells & Closure Screws Only
1	Jackposts*
2	Spring Latch Set*
3	Spring Latch Plate*
4	Slide Latch*
5	Slide Latch Locking Posts*
NS	No Hardware (order separately)
7- Attachment Option Code	
Blank	No Attachment Hardware**
6	Tie Wrap
7	Rack Mount Hardware

*Include closure screws

** Mounting Hardware Code NS should have no attachment hardware (Blank)

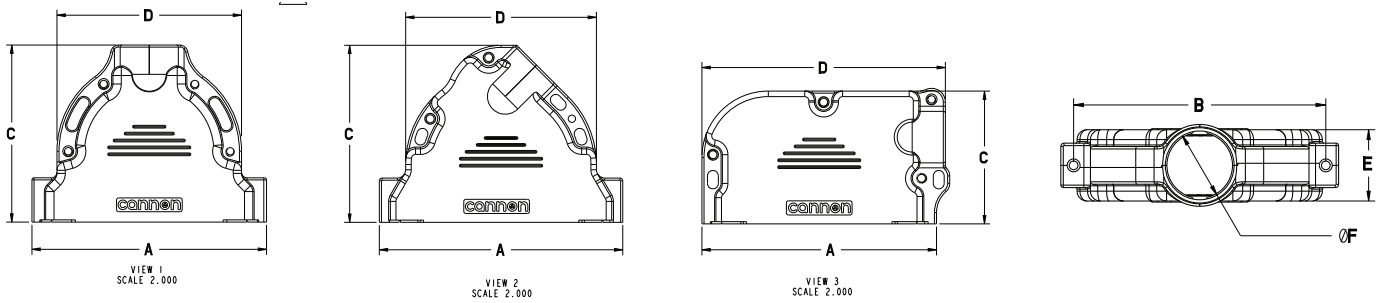
Dimensions shown in mm
Specifications and dimensions subject to change

ittcannon.com



Dimensions shown in mm
Specifications and dimensions subject to change

Aluminum Backshells with EMI Shielding Specifications & Dimensions



Descriptive Part Number	Numerical Part Number	Size Code	Entry Code	Angle	A ± .06	B ± .010	C ± .06	D ± .06	E ± .06	ØF ± .02	Weight (g) Less Hardware	Tie Down Strap (SAE-AS33671)	Closure Screw QTY
DEBSS090	070372-0001	E	09	STR	1.23	.984	1.25	.75	.58	.35	10.4	-5	2
DEBSA090	070372-0002	E	09	45°	1.23	.984	1.50	.75	.58	.35	12.6	-5	2
DEBSB090	070372-0003	E	09	90°	1.23	.984	0.95	1.33	.58	.35	11.4	-5	2
DABSS090	070372-0004	A	09	STR	1.55	1.312	1.30	1.00	.51	.35	11.1	-5	2
DABSA090	070372-0005	A	09	45°	1.55	1.312	1.80	1.00	.58	.35	17.4	-5	2
DABSB090	070372-0006	A	09	90°	1.55	1.312	1.10	1.65	.58	.35	15	-5	2
DBBSS120	070372-0007	B	12	STR	2.10	1.852	1.80	1.48	.58	.47	20.2	-1	2
DBBSA120	070372-0008	B	12	45°	2.10	1.852	1.80	1.48	.58	.47	21.8	-1	3
DBBSB120	070372-0009	B	12	90°	2.10	1.852	1.20	2.20	.58	.47	18	-1	3
DCBSS150	070372-0010	C	15	STR	2.75	2.500	2.00	2.16	.58	.58	29.3	-1	4
DCBSA150	070372-0011	C	15	45°	2.75	2.500	2.00	2.16	.58	.58	27.9	-1	3
DCBSB150	070372-0012	C	15	90°	2.75	2.500	1.50	2.84	.58	.58	29.7	-1	3
DDBSS170	070372-0013	D	17	STR	2.65	2.406	2.00	2.09	.69	.65	29.9	-1	4
DDBSA170	070372-0014	D	17	45°	2.65	2.406	2.00	2.09	.69	.65	27.2	-1	3
DDBSB170	070372-0015	D	17	90°	2.65	2.406	1.50	2.75	.69	.65	32.7	-1	3

Aluminum D-Sub Backshell Hardware



Mounting Hardware Code

Code	Description	Part Number	Shell Size	Material
1	Jackpost Set (2)	D70372-0016	E, A, B, C, D	Stainless Steel
2	Spring Latch Set	D70372-0017	E, A, B, C	
		D70372-0018	D	
3	Spring Latch Plate	D70372-0019	E, A, B, C	
		D70372-0020	D	
4	Slide Lock Plate With Screws	D70372-0021	E	
		D70372-0022	A	
		D70372-0023	B	
		D70372-0024	C	
		D70372-0025	D	
5	Slide Lock Locking Posts	D70372-0026	E, A, B, C, D	

Attachment Option Code

Code	Description	Part Number	Shell Size	Material
6	Tie Down Strap	D70372-0027	E, A	Nylon
		D70372-0028	B, C, D	
7	Rack Mount Hardware, 4-40, Bushing Only (2 each)*	D70372-0029	E, A, B, C, D	Aluminum, Nickel Plating

*0.125" long through hole standoff for a 4-40 screw.

Closure Screw Kits

Part Number	Package Quantity
070372-0045	2 Screws
070372-0046	3 Screws
070372-0047	4 Screws

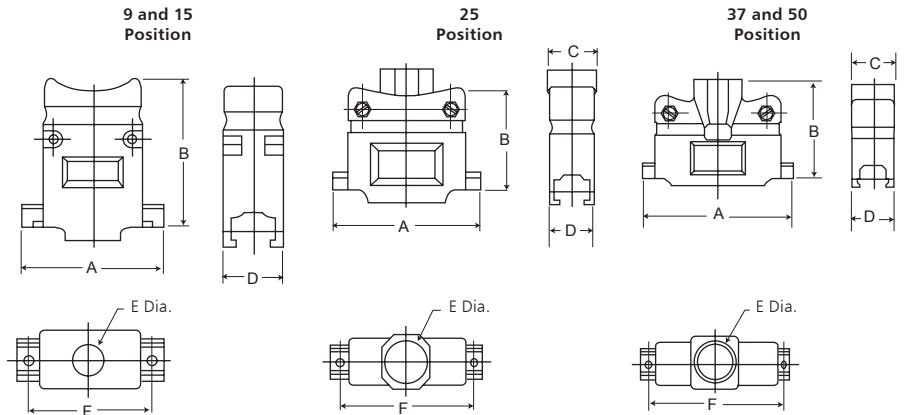


Dimensions shown in mm
Specifications and dimensions subject to change

Zinc Metal Backshell



Die Cast Zinc Backshell, Straight Exit, EMI Shielded



Die cast metal backshells reduce EMI/RFI emissions. Die cast metal backshells offer improved shielding in a rugged package.

Product Features

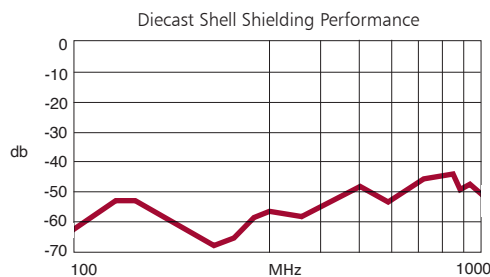
- Improves conformance to FCC DOC #20780 shielding requirements
- No crimp ferrule tooling needed
- Kit consists of 1 front shell, 1 rear shell, 2 screws, 2 hex nuts, 2 mounting screws, 2 end brackets, 1 set of compression inserts

Shell size	Layout	Part Number	A ±0,13 (.005)	B ±0,13 (.005)	C ±0,13 (.005)	D ±0,13 (.005)	øE ±0,13 (.005)	F ±0,13 (.005)
DE	9	980-2000-345	31,12 (1.225)	37,21 (1.465)	15,75 (.620)	15,75 (.620)	10,16 (.400)	24,99 (.984)
DA	15	980-2000-346	39,12 (1.540)	40,64 (1.600)	15,75 (.620)	15,75 (.620)	10,16 (.400)	33,32 (1.312)
DB	25	980-2000-347	53,09 (2.090)	39,37 (1.550)	17,53 (.690)	15,75 (.620)	13,34 (.525)	47,17 (1.857)
DC	37	980-2000-348	69,34 (2.730)	45,72 (1.800)	21,95 (.864)	15,75 (.620)	18,44 (.726)	63,50 (2.500)
DD	50	980-2000-349	66,70 (2.626)	45,72 (1.800)	21,95 (.864)	18,54 (.730)	18,44 (.726)	61,11 (2.406)

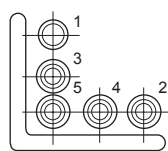
Specifications	
Attenuation:	-50 dB @ 1000MHz
Temperature Range:	-20° C to 80° C

Materials and Finishes	
Backshell Material:	Zinc
Backshell Finish:	Clear Zinc
Compression Inserts:	PVC
Hardware Material:	Steel
Hardware Finish:	Clear Zinc

Attenuation

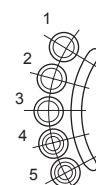


9 and 15 Position*



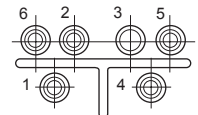
Cable Diameter
4,83/8,89 (.190/.350)

25 Position*



Cable Diameter
4,83/11,68 (.190/.460)

37 and 50 Position*



Cable Diameter
7,62/17,27 (.300/.680)

* Inserts may be supplied mirror image.

Compression inserts (included with die cast zinc metal backshell)

Compression inserts accommodate a wide variety of cable sizes.

Position	#1		#2		#3		#4		#5		#6	
	O.D.	I.D.	O.D.	I.D.	O.D.	I.D.	O.D.	I.D.	O.D.	I.D.	O.D.	I.D.
9,15	12,07 (.475)	8,13 (.320)	9,14 (.360)	8,00 (.315)	9,14 (.360)	6,48 (.255)	9,14 (.360)	7,24 (.285)	9,14 (.360)	5,33 (.210)	-	-
25	15,24 (.600)	11,43 (.450)	11,43 (.450)	10,41 (.410)	11,43 (.450)	9,40 (.370)	11,43 (.450)	7,62 (.300)	11,43 (.450)	5,84 (.230)	-	-
37,50	16,64 (.655)	14,48 (.570)	17,78 (.700)	15,75 (.620)	20,57 (.810)	16,51 (.650)	16,64 (.655)	12,70 (.500)	16,64 (.655)	10,80 (.425)	16,64 (.655)	8,89 (.350)

Dimensions shown in mm
Specifications and dimensions subject to change

ittcannon.com



Zinc Metal Backshell Straight Exit - D*FM

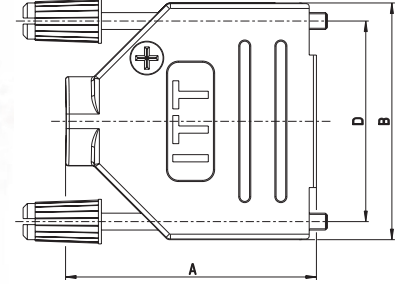
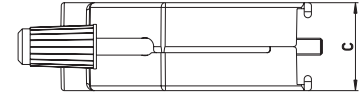
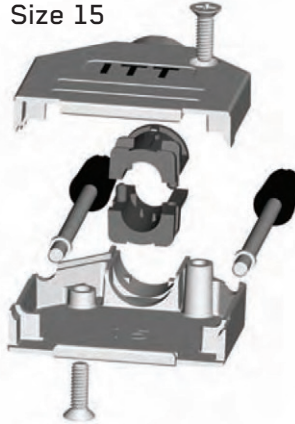
D*FM metal Backshells for D-Subminiature Connectors offers protection from magnetic and radio interferences to cable assemblies.



Product Features

- No crimp ferrule tooling needed
- Material: Zinc, blue chromated
- Unique metal filled plastic cable strain relief guarantees 360° shielding
- RoHS compliant
- -40 - +120°C temperature range
- Corrosion resistant

Size 15



Part Description With #4-40 UNC Jackscrew	Part Description With M3 Jackscrew	Shell Size	A	B	C	D	Cable Diameter
DEFME-101	DEFMX-101	Size 9	39,55mm [1.555inch]	31,3mm [1.232inch]	14,6mm [0.575inch]	25,0mm [0.984inch]	4 - 9mm
DAFME-101	DAFMX-101	Size 15	41,7mm [1.642inch]	39,3mm [1.547inch]	14,6mm [0.575inch]	33,3mm [1.311inch]	4 - 9mm
DBFME-101	DBFMX-101	Size 25	49,0mm [1.929inch]	53,5mm [2.106inch]	14,6mm [0.575inch]	47,0mm [1.850inch]	4 - 9mm
DCFME-101	DCFMX-101	Size 37	53,3mm [1.098inch]	69,7mm [2.744inch]	14,6mm [0.575inch]	63,5mm [2.500inch]	4 - 9mm

Kit consists of 1 front shell, 1 rear shell, 4 strain reliefs, 2 mounting crosshead screws, and 2 jack screws.

Assembly instructions Size 9, 15, 25, 37

Attenuation



Use two halves of strain relief (different sizes can be mixed)



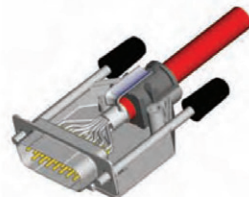
Strip cable 18mm and shape cable to two pigtails



Attach the strain relief around the cable



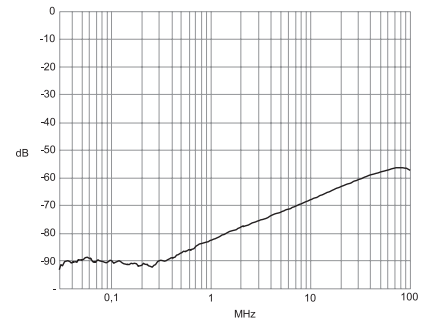
Bend cable shielding back on outside of strain relief



Mount connector and cable into the backshell



Assemble the other half (screwing force: 100-120 Ncm)



Dimensions shown in mm
Specifications and dimensions subject to change

Zinc Metal Backshell 45° Exit

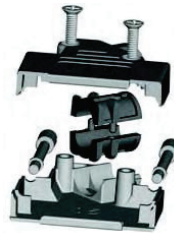
D*FM metal Backshells for D-Subminiature Connectors offers protection from magnetic and radio interferences to cable assemblies.



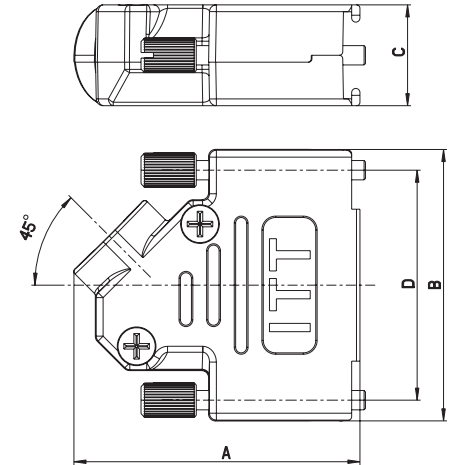
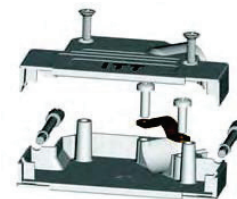
Product Features

- No crimp ferrule tooling needed
- Material: Zinc, blue chromated
- Unique metal filled plastic cable strain relief guarantees 360° shielding
- RoHS compliant
- -40 - +120°C temperature range
- Corrosion resistant

Size 15



Size 50



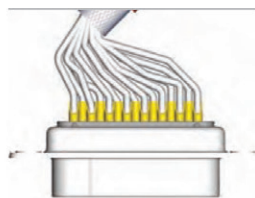
Part Description With #4-40 UNC Jackscrew	Part Description With M3 Jackscrew	Shell Size	A	B	C	D	Cable Diameter
DEFME-100	DEFMX-100	Size 9*	37,5mm [1.476inch]	35,5mm [1.398inch]	14,6mm [0.575inch]		4 - 9mm
DAFME-100	DEFMX-100	Size 15**	41,5mm [1.634inch]	39,5mm [1.555inch]	14,6mm [0.575inch]	33,3mm [1.311inch]	4 - 9mm
DBFME-100	DBFMX-100	Size 25**	41,5mm [1.634inch]	53,5mm [2.106inch]	14,5mm [0.571inch]	47,0mm [1.850inch]	4 - 9mm
DCFME-100	DCFMX-100	Size 37**	41,5mm [1.634inch]	70,0mm [2.756inch]	14,5mm [0.571inch]	63,5mm [2.500inch]	4 - 9mm
DDFME-100	DDFMX-100	Size 50***	45,0mm [1.772inch]	67,5mm [2.657inch]	17,4mm [0.69inch]	61,0mm [2.402inch]	13-16mm

*Size 9 Backshell: Kit consists of 1 front shell, 1 rear shell, 4 strain reliefs, 2 mounting crosshead screws, 1 jack screw
 **Size 15, 25, 37 Backshell: Kit consists of 1 front shell, 1 rear shell, 4 strain reliefs, 2 mounting crosshead screws, 2 jack screws
 ***Size 50 Backshell: Kit consists of 1 front shell, 1 rear shell, 1 cable clamp, 4 mounting crosshead screws, 2 jack screws

Assembly instructions Size 9, 15, 25, 37



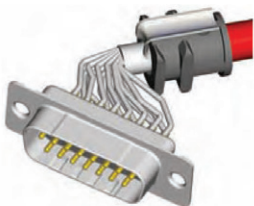
Use two halves of strain relief (different sizes can be mixed)



Strip cable 18mm and shape cable to two pigtails



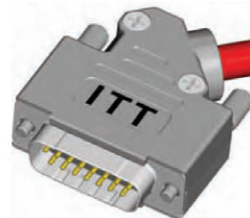
Attach the strain relief around the cable



Bend cable shielding back on outside of strain relief

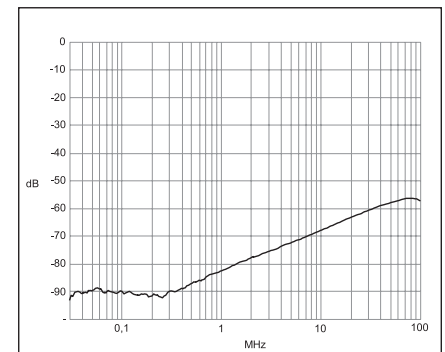


Mount connector and cable into the backshell



Assemble the other half (screwing force: 100-120 Ncm)

Attenuation



Dimensions shown in mm
 Specifications and dimensions subject to change

Zinc Metal Backshell

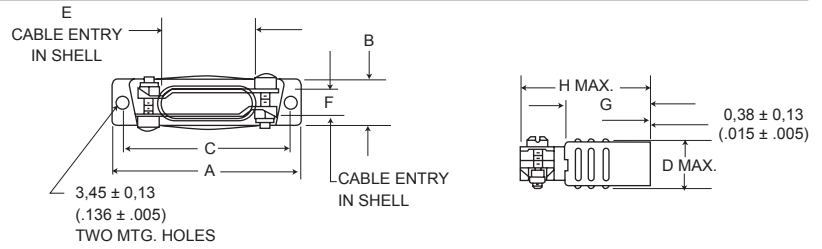
Metal Backshells provide strain relief.
Various profiles available for different cable routing requirements.

Product Features

- Qualified to MIL-Spec M85049

Materials and Finishes	
Backshell Material:	Low Carbon Steel or Brass
Backshell Finish:	Chromate over Cadmium (Mil Spec) or Zinc (RoHS)
Hardware Material:	Steel or brass

Deep Straight Clamp



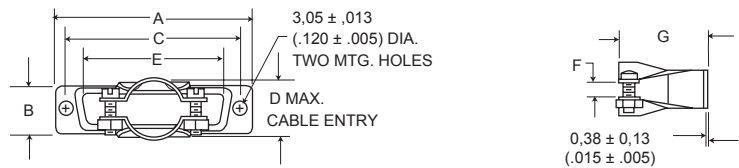
- Kit consists of 1 shell, 2 cable clamps (clamps not displayed), 2 screws, 2 hex nuts.

Shell Size	RoHS Compliant Part Number	Mil-Spec Parts (Brass)		Brass
		Mil-Spec Part Number	Part Number	50 μ in. Gold over Copper
DE	DE24657-29	M85049/48-1-6F	DE24657-5	DE24657-16
DA	DA24658-28	M85049/48-1-7F	DA24658-2	DA24658-15
DB	DB24659-27	M85049/48-1-8F	DB24659-2	DB24659-15
DC	DC24660-27	M85049/48-1-9F	DC24660-11	DC24660-16
DD	DD24661-27	M85049/48-1-10F	DD24661-4	DD24661-13

Shell Size	Layout	Part Number	Mil Spec Part Number*	A $\pm 0,38 (.015)$	B $\pm 0,572 (.0225)$	C $\pm 0,38 (.015)$	D max.	E $\pm 0,38 (.015)$	F $\pm 0,38 (.015)$	G $\pm 0,38 (.015)$	H max.
DE	9	DE24657	M85049/48-1-1F	30,56 (1.203)	12,484 (.4915)	24,99 (.984)	14,68 (.578)	9,53 (.375)	9,53 (.375)	19,05 (.750)	31,75 (1.250)
DA	15	DA24658	M85049/48-1-2F	38,89 (1.531)	12,484 (.4915)	33,32 (1.312)	14,68 (.578)	18,11 (.713)	7,93 (.312)	19,05 (.750)	31,75 (1.250)
DB	25	DB24659	M85049/48-1-3F	52,78 (2.078)	12,484 (.4915)	47,04 (1.852)	14,68 (.578)	25,40 (1.000)	7,93 (.312)	25,40 (1.000)	39,70 (1.563)
DC	37	DC24660	M85049/48-1-4F	69,04 (2.718)	12,484 (.4915)	63,50 (2.500)	14,68 (.578)	34,93 (1.375)	7,93 (.312)	25,40 (1.000)	39,70 (1.563)
DD	50	DD24661	M85049/48-1-5F	66,68 (2.625)	15,253 (.6005)	61,11 (2.406)	17,45 (.578)	35,71 (1.406)	10,31 (.406)	28,57 (1.125)	42,88 (1.688)

* Parts ordered with no suffix or "Z" suffix will be substituted with "F" suffix.

Round Cable Clamp



- Kit consists of 1 shell, 2 cable clamps, 2 screws, 2 hex nuts.

Shell Size	RoHS Compliant Part Number	Mil-Spec Parts (Brass)		Brass
		Mil-Spec Part Number	Part Number	50 μ in. Gold over Copper
DE	DE44994-14	M85049/48-2-6F	DE44994-3	DE44994-2
DA	DA20961-26	M85049/48-2-7F	DA20961-3	DA20961-16
DB	DB20962-30	M85049/48-2-8F	DB20962-8	DB20962-18
DC	DC20963-27	M85049/48-2-9F	DC20963-8	DC20963-17
DD	DD20964-32	M85049/48-2-10F	DD20964-8	DD20964-19

Shell Size	Layout	Part Number	Mil Spec Part Number*	A $\pm 0,38 (.015)$	B $\pm 0,572 (.0225)$	C $\pm 0,38 (.015)$	D max.	E $\pm 0,38 (.015)$	F $\pm 0,38 (.015)$	G $\pm 0,38 (.015)$
DE	9	DE44994	M85049/48-2-1F	30,68 (1.208)	12,70 (.500)	24,99 (.984)	10,31 (.406)	16,79 (.661)	3,18 (.125)	26,18 (1.031)
DA	15	DA20961	M85049/48-2-2F	38,89 (1.531)	12,70 (.500)	33,33 (1.312)	10,31 (.406)	24,99 (.984)	3,18 (.125)	26,18 (1.031)
DB	25	DB20962	M85049/48-2-3F	52,78 (2.078)	12,70 (.500)	47,04 (1.852)	15,06 (.593)	38,48 (1.515)	4,75 (.187)	26,98 (1.062)
DC	37	DC20963	M85049/48-2-4F	69,04 (2.718)	12,70 (.500)	63,50 (2.500)	18,23 (.718)	55,14 (2.171)	6,35 (.250)	26,98 (1.062)
DD	50	DD20964	M85049/48-2-5F	66,68 (2.625)	15,47 (.609)	61,11 (2.406)	20,62 (.812)	53,16 (2.093)	7,92 (.312)	26,98 (1.062)

* Parts ordered with no suffix or "Z" suffix will be substituted with "F" suffix.

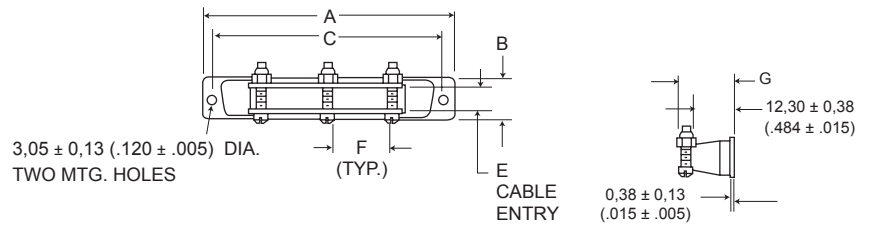


Dimensions shown in mm
Specifications and dimensions subject to change

Short Straight Clamp



- Kit consists of 1 shell, 2 or 3 screws, 2 or 3 hex nuts



Shell Size	RoHS Compliant Part Number	Mil-Spec Parts (Brass)		Brass
		Mil-Spec Part Number	Part Number	50 μ in. Gold over Copper
DA	DA19678-1	M85049/48-3-7F	DA19678-38	DA19678-167
DB	DB19678-2	M85049/48-3-8F	DB19678-53	DA19678-168
DC	DC19678-3	M85049/48-3-9F	DC19678-85	DA19678-138
DD	DD19678-4	M85049/48-3-10F	DD19678-55	DA19678-161

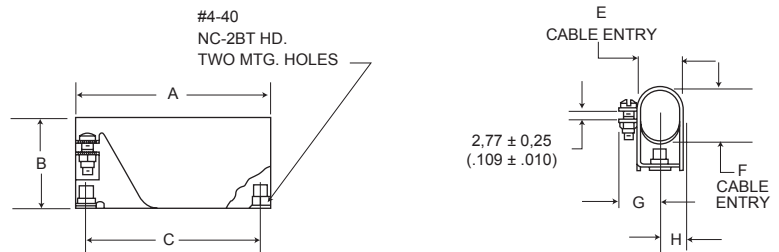
Shell Size	Layout	Part Number	Mil Spec Part Number*	No. of Cable Locking Screws Included	A $\pm 0,38 (.015)$	B $\pm 0,38 (.015)$	C $\pm 0,13 (.005)$	E $\pm 0,38 (.015)$	F $\pm 0,38 (.015)$	G $\pm 0,98 (.035)$
DA	15	DA19678-1	M85049/48-3-2F	2	38,88 (1.531)	12,70 (.500)	33,33 (1.312)	7,51 (.296)	7,93 (.312)	16,36 (.644)
DB	25	DB19678-2	M85049/48-3-3F	2	52,78 (2.078)	12,70 (.500)	47,04 (1.852)	7,51 (.296)	20,22 (.796)	16,36 (.644)
DC	37	DC19678-3	M85049/48-3-4F	3	69,04 (2.718)	12,70 (.500)	63,50 (2.500)	7,51 (.296)	17,45 (.687)	16,36 (.644)
DD	50	DD19678-4	M85049/48-3-5F	3	66,68 (2.625)	15,47 (.690)	61,11 (2.406)	9,91 (.390)	17,45 (.687)	17,63 (.694)

* Parts ordered with no suffix or "Z" suffix will be substituted with "F" suffix.

90° Entry



- Kit consists of 1 shell, 1 cable clamp, 1 screw, 1 nut, 2 rivnuts (assembled)



Shell Size	RoHS Compliant Part Number	Mil-Spec Parts (Brass)		Brass
		Mil-Spec Part Number	Part Number	50 μ in. Gold over Copper
DE	DE19977-2	M85049/50-6F	DE19977-20	DE19977-47
DA	DA19977-68	M85049/50-7F	DA19977-6	DE19977-40
DB	DB19977-69	M85049/50-8F	DB19977-17	DE19977-43
DC	DC19977-70	M85049/50-9F	DC19977-18	DE19977-45
DD	DC19977-71	M85049/50-10F	DD19977-19	DE19977-44

Shell Size	Layout	Part Number	Mil Spec Part Number*	A $\pm 0,38 (.015)$	B $\pm 0,38 (.015)$	C $\pm 0,13 (.005)$	E $\pm 0,38 (.015)$	F $\pm 0,38 (.015)$	G $\pm 0,98 (.035)$	H
DE	9	DE19977-5	M85049/50-1F	30,56 (1.203)	18,24 (.718)	24,99 (.984)	11,10 (.437)	11,10 (.437)	11,89 (.468)	7,14 (.281)
DA	15	DA19977-1	M85049/50-2F	38,89 (1.531)	12,70 (.500)	33,33 (1.312)	11,10 (.437)	11,10 (.437)	11,89 (.468)	7,14 (.281)
DB	25	DB19977-2	M85049/50-3F	52,78 (2.078)	12,70 (.500)	47,04 (1.852)	11,10 (.437)	15,88 (.625)	11,89 (.468)	7,14 (.281)
DC	37	DC19977-3	M85049/50-4F	69,04 (2.718)	12,70 (.500)	63,50 (2.500)	11,10 (.437)	20,63 (.812)	11,89 (.468)	7,14 (.281)
DD	50	DD19977-4	M85049/50-5F	66,68 (2.625)	15,47 (.690)	61,11 (2.406)	14,28 (.562)	23,01 (.906)	13,47 (.531)	8,71 (.343)

* Parts ordered with no suffix or "Z" suffix will be substituted with "F" suffix.

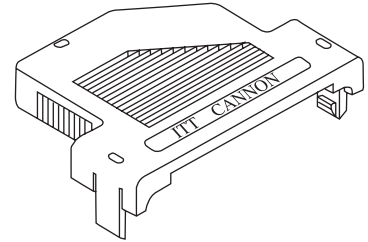
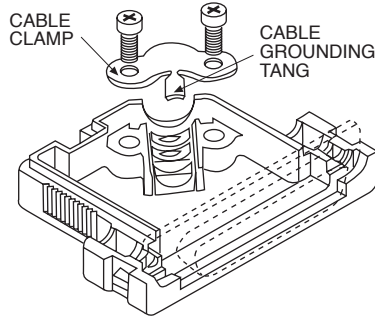
Plastic Backshell

Snap-Together Metalized Plastic

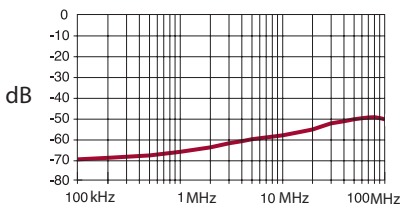
Metalized plastic backshells reduce EMI/RFI emissions. Metalized plastic provides a lightweight solution. Includes integral strain relieving cable clamp.

Product Features

- Improves conformance to FCC DOC #20780 shielding requirements
- No crimp ferrule tooling needed
- Quick and simple assembly using snap-together design feature
- Non-metalized, non-shielded versions available



Attenuation



Note: Cable grounding tang not available on DE size backshell.

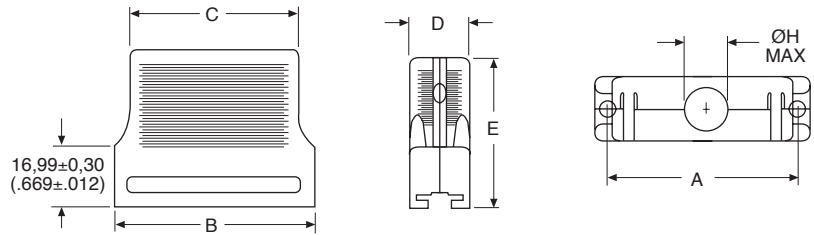
Specifications	
Attenuation:	-49 dB @ 100MHz
Temperature Range:	-20° C to 80° C

Materials and Finishes	
Material:	Thermoplastic, UL 94V-0 rated
Finish:	Nickel over Copper

Straight Exit



- Kit consists of 1 front shell, 1 rear shell, 1 cable clamp, 2 screws
- Optional locking hardware sold separately, see page 15

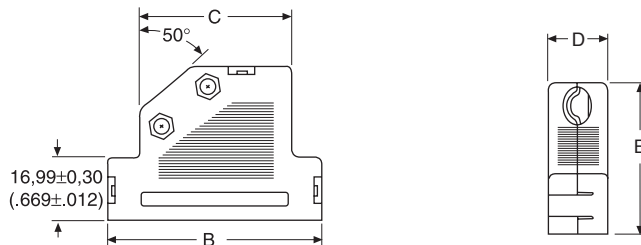


Shell Size	Layout	Computer Cable			Ribbon Cable		A ±0,15 (.006)	B ±0,30 (.012)	C ±0,30 (.012)	D ±0,30 (.120)	E ±0,20 (.008)	ØH Max.
		Shielded	Non-Shielded Gray	Non-Shielded Black	Shielded	Non-Shielded Gray						
DE	9	DE121073-154	DE121073-159	DE121073-259	DE121073-164	DE121073-169	24,95 (.982)	30,81 (1.213)	23,70 (.933)	16,00 (.630)	35,99 (1.417)	7,32 (.288A)
DA	15	DA121073-150	DA121073-155	DA121073-255	DA121073-160	DA121073-165	33,30 (1.311)	39,09 (1.539)	31,80 (1.252)	16,00 (.630)	42,00 (1.654)	8,31 (.327)
DB	25	DB121073-151	DB121073-156	DB121073-256	DB121073-161	DB121073-166	47,00 (1.850)	53,01 (2.087)	45,01 (1.772)	16,00 (.630)	42,00 (1.654)	10,52 (.414)
DC	37	DC121073-152	DC121073-157	DC121073-257	DC121073-162	DC121073-167	63,45 (2.498)	69,29 (2.728)	60,30 (2.374)	16,00 (.630)	42,00 (1.654)	12,32 (.485)
DD	50	DD121073-153	DD121073-158	DD121073-258	-	-	61,10 (2.410)	66,90 (2.634)	58,30 (2.295)	19,00 (.748)	42,00 (1.654)	13,00 (.512)

50° Exit



- Kit consists of 1 front shell, 1 rear shell, 1 cable clamp, 2 screws
- Optional locking hardware sold separately, see page 15



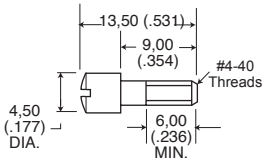
Shell Size	Layout	Shielded Part #	Non-Shielded Part # Gray	B ±0,30 (.012)	C ±0,30 (.012)	D ±0,30 (.012)	E ±0,20 (.008)	Cable Diameter Min.	Cable Diameter Max.
DE	9	DE121073-54	DE121073-59	35,99 (1.417)	22,00 (8.66)	16,00 (.630)	35,99 (1.417)	3,51 (.138)	7,49 (.295)
DA	15	DA121073-50	DA121073-55	44,29 (1.744)	27,31 (1.075)	16,00 (.630)	42,01 (1.654)	6,50 (.256)	8,99 (.354)
DB	25	DB121073-51	DB121073-56	57,99 (2.283)	41,00 (1.614)	16,00 (.630)	42,01 (1.654)	6,50 (.256)	11,00 (.433)
DC	37	DC121073-52	DC121073-57	74,50 (2.933)	57,51 (2.264)	16,00 (.630)	42,01 (1.654)	6,50 (.256)	11,00 (.433)
DD	50	DD121073-53	DD121073-58	72,97 (2.873)	54,99 (2.165)	19,00 (.748)	42,01 (1.654)	8,99 (.354)	13,00 (.512)



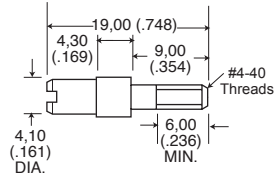
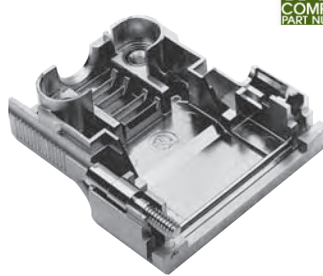
Dimensions shown in mm
Specifications and dimensions subject to change

Locking Hardware for Snap-Together Plastic Backshell

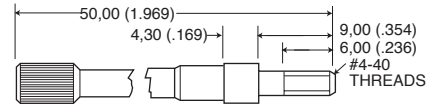
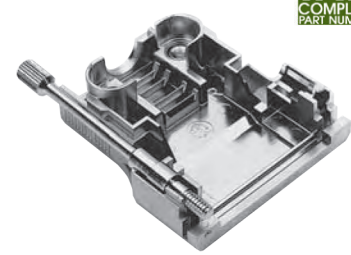
Recessed Jackscrew



Extended Jackscrew



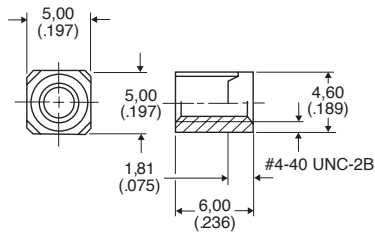
Thumbscrew



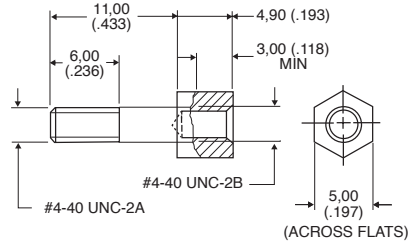
Materials and Finishes			
Part Number	Material	Finish	Quantity Required per Connector
250-8501-004	Brass	Nickel	2
250-8501-009 (M3) ,250-8501-010 (#4-40)	Brass	Nickel	2
250-8501-013	Brass	Nickel	2

Jackpost for In-Line Connections

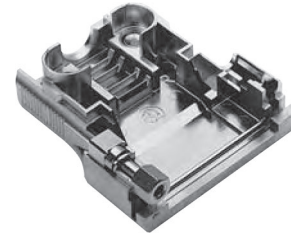
Rectangular Nut



Jackpost



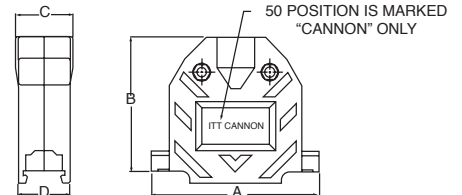
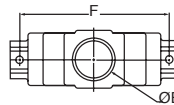
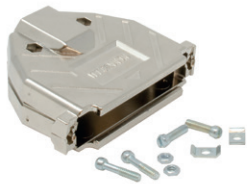
Jackpost Assembly



- Assembly consists of 1 rectangular nut, 1 jackpost, 1 # 4-40 lock washer.

Materials and Finishes			
Part Number	Material	Finish	Quantity Required per Connector
D121073-19	Brass	Nickel	2

Straight Exit - Metalized Plastic Low Cost



- Kit consists of 1 front shell, 1 rear shell, 1 cable clamp, 2 screws, screw lock assembly kit

Shell Size	Layout	Part Number	A	B	C	D	ø E	F
DE	9	980-2000-350	30,91 (1.217)	39,29 (1.547)	16,26 (.640)	16,26 (.640)	10,16 (.400)	24,99 (.984)
DA	15	980-2000-351	39,24 (1.545)	38,23 (1.505)	16,26 (.640)	16,26 (.640)	10,16 (.400)	33,32 (1.312)
DB	25	980-2000-352	53,09 (2.090)	42,04 (1.655)	18,03 (.710)	16,26 (.640)	13,26 (.522)	47,17 (1.857)
DC	37	980-2000-353	69,44 (2.734)	46,48 (1.830)	23,01 (.906)	16,26 (.640)	18,44 (.726)	63,50 (2.500)
DD	50	980-2000-354	67,18 (2.645)	47,12 (1.855)	23,88 (.940)	19,56 (.770)	18,44 (.726)	61,11 (2.406)

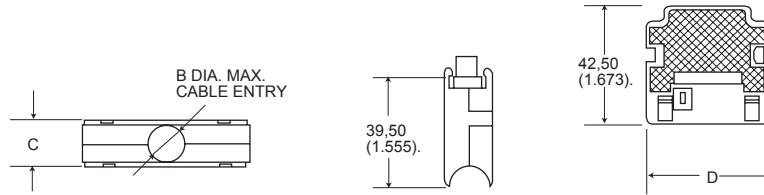
Materials and Finishes: Thermoplastic, UL 94V-0 rated, Nickel plated

Dimensions shown in mm
Specifications and dimensions subject to change

Snap-Together Universal



- 2-piece snap-together design for quick assembly.
- Customer furnishes tie-wrap.



Materials and Finishes	
Material:	Black Thermoplastic, UL 94V-0 rated

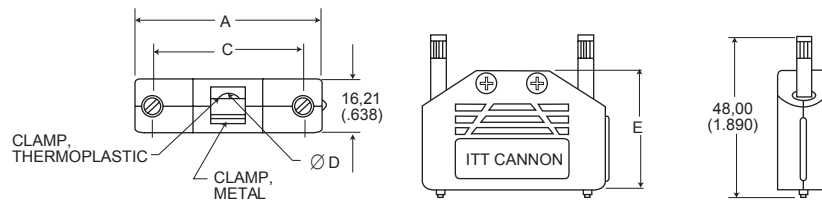
Shell Size	Layout	Part Number	øB max.	C ±0,20 (.008)	D ±0,20 (.008)
DE	9	DE115339-20	7,01 (.276)	17,00 (.669)	19,51 (.768)
DA	15	DA115339-21	9,60 (.378)	17,00 (.669)	27,79 (1.094)
DB	25	DB115339-22	11,61 (.457)	17,00 (.669)	41,61 (1.638)
DC	37	DC115339-23	13,00 (.512)	17,00 (.669)	59,99 (2.283)
DD	50	DD115339-24	16,00 (.630)	19,81 (.780)	52,32 (2.060)

Note: Part Numbers above replace the following part number series: DE110963-1 to DD110963-5

One-Piece Snap-Together



- Low cost, mounting hardware included with 2 thumbscrews, 1 cable clamp



Materials and Finishes	
Backshell Material:	Polypropylene
Hardware Material:	Steel
Hardware Finish:	Black Nickel

Shell Size	Layout	Part Number	A	C	ø D max.	E
DE	9	DEBS-9	35,20 (1.386)	24,99 (.984)	5,69 (.224)	27,51 (1.083)
DA	15	DABS-15	43,31 (1.705)	33,33 (1.312)	5,69 (.224)	31,19 (1.228)
DB	25	DBBS-25	57,20 (2.252)	47,04 (1.852)	6,50 (.256)	38,30 (1.508)
DC	37	DCBS-37	72,00 (2.83)	62,00 (2.44)	7,80 (.307)	43,08 (1.69)
DD	50	DDBS-50	73,70 (2.90)	63,70 (2.50)	8,20 (.322)	48,04 (1.89)

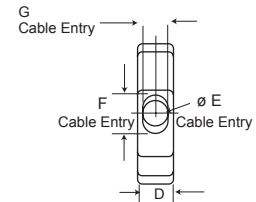
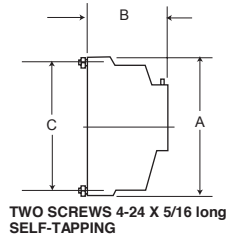


Dimensions shown in mm
Specifications and dimensions subject to change

ittcannon.com

One-Piece Plastic

Straight Exit

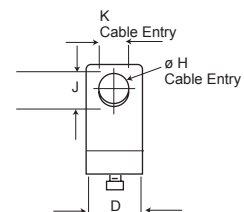
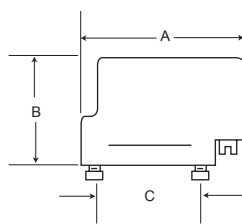


- Kit consists of 1 shell, 1 cable clamp, 1 set screw
- Mounting hardware included
- 2 screws #4-24 x 5/16 long self-tapping
- Accommodates spring latches

Materials and Finishes	
Material:	Black Thermoplastic, UL 94V-0 rated
Hardware Material:	Steel
Hardware Finish:	Chromate over Zinc

Shell Size	Layout	Part Number	A ±0,38 (.015)	B ±0,38 (.015)	C ±0,13 (.005)	D ±0,38 (.015)	øE ±0,25 (.010)	F ±0,25 (.010)	G ±0,25 (.010)
DE	9	DE51218	30,94 (1.218)	25,40 (1.000)	24,99 (.984)	12,70 (.500)	7,14 (.281)	—	—
DA	15	DA51210	39,27 (1.546)	25,40 (1.000)	33,33 (1.312)	12,70 (.500)	9,14 (.360)	—	—
DB	25	DB51212	53,16 (2.093)	31,75 (1.250)	47,04 (1.852)	12,70 (.500)	—	12,52 (.493)	9,15 (.360)
DC	37	DC51214	69,44 (2.734)	38,10 (1.500)	63,50 (2.500)	12,70 (.500)	—	17,63 (.694)	9,15 (.360)
DD	50	DD51216	67,06 (2.640)	38,10 (1.500)	61,11 (2.406)	15,47 (.690)	—	18,64 (.734)	11,89 (.468)

90° Exit



- Kit consists of 1 shell, 1 cable clamp, 1 set screw
- Mounting hardware included
- 2 screws #4-24 x 5/16 long self-tapping

Materials and Finishes	
Material:	Black Thermoplastic, UL 94V-0 rated
Hardware Material:	Steel
Hardware Finish:	Chromate over Zinc

Shell Size	Layout	Part Number	A ±0,38 (.015)	B ±0,38 (.015)	C ±0,13 (.005)	D ±0,38 (.015)	øH ±0,25 (.010)	J ±0,25 (.010)	K ±0,25 (.010)
DE	9	DE51219	37,95 (1.494)	25,40 (1.000)	24,99 (.984)	12,70 (.500)	7,14 (.281)	—	—
DA	15	DA51211	46,28 (1.822)	25,40 (1.000)	33,33 (1.312)	12,70 (.500)	9,14 (.360)	—	—
DB	25	DB51213	60,15 (2.368)	31,75 (1.250)	47,04 (1.852)	12,70 (.500)	—	12,52 (.493)	9,15 (.360)
DC	37	DC51215	76,43 (3.009)	38,10 (1.500)	63,50 (2.500)	12,70 (.500)	—	17,63 (.694)	9,15 (.360)
DD	50	DD51217	74,04 (2.915)	38,10 (1.500)	61,11 (2.406)	15,47 (.690)	—	18,64 (.734)	11,89 (.468)

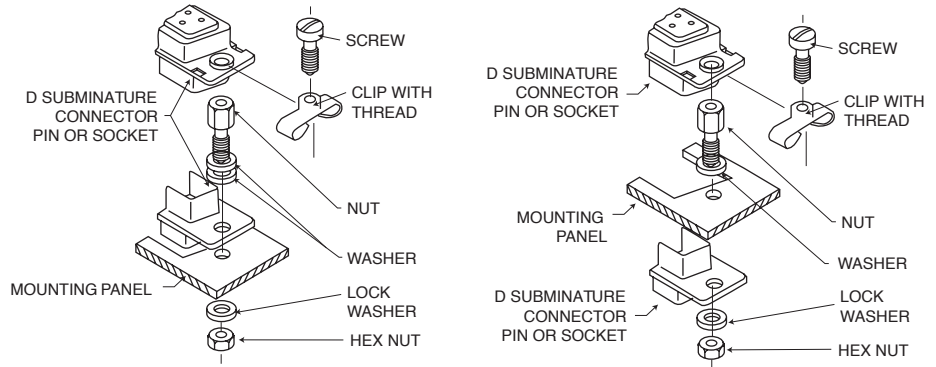
Locking Hardware

Screw Lock Assemblies

Refer to the accessories selection guide on page 6 for use with Cannon backshells. Male or Female RoHS compliant stainless steel and brass versions are available. Please contact factory for more information.

Product Features

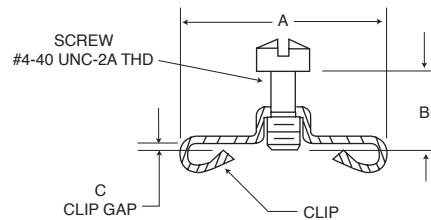
- Ensures positive mating
- Provides locking and latching for high vibration applications



Male Screw Lock



- Kit consists of 1 screw and 1 clip
- Order 2 per connector
- Similar to M24308/25



Materials and Finishes	
Material:	Steel
Finish:	Chromate over Cadmium/Zinc

Shell Size	each P/N Cd	2 each P/N Cd	A ±0,38(.015)	B ±0,2 (.010)	C ±0,13 (.005)	RoHS Compliant P/N each Zn	RoHS Compliant P/N 2 each Zn	Stainless Steel P/N each	Stainless Steel Allen Head P/N each
DE, DA, DB, DC	D20419	D20419-119	14,10 (.555)	6,35 (.250)	1,22 (.048)	D20419-211	D20419-218	D20419-14	D20419-95
DE, DA, DB, DC	D20419-18	D20419-121	14,10 (.555)	7,14 (.281)	1,70 (.067)	D20419-212	D20419-219	D20419-38	D20419-97
DE, DA, DB, DC	D20419-21	D20419-122	14,10 (.555)	7,14 (.281)	2,34 (.092)	D20419-213	D20419-220	-	-
DE, DA, DB, DC	D20419-104	D20419-216	14,10 (.555)	7,92 (.312)	2,34 (.092)	D20419-214	D20419-221	-	-
DD	D20420	D20420-097	16,66 (.656)	6,35 (.250)	1,22 (.048)	D20420-157	D20420-163	D20420-21	D20420-81
DD	D20420-13	D20420-099	16,66 (.656)	7,14 (.281)	1,70 (.067)	D20420-158	D20420-164	D20420-136	D20420-83
DD	D20420-15	D20420-100	16,66 (.656)	7,14 (.281)	2,34 (.092)	D20420-159	D20420-165	D20420-70	-
DD	D20420-86	D20420-162	16,66 (.656)	7,92 (.312)	2,34 (.092)	D20420-160	D20420-166	-	-



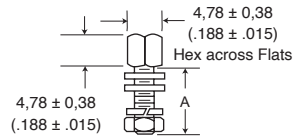
Dimensions shown in mm
Specifications and dimensions subject to change

Female Screw Lock

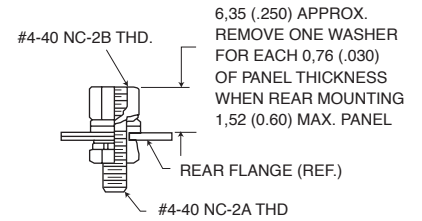


- Kit consists of 1 nut, 3 washer, 1 lock washer, 1 hex nut.
- Order 2 per connector
- Qualified supplier of M24308/26 female screw locks.

Front Panel Mount



Rear Panel Mount

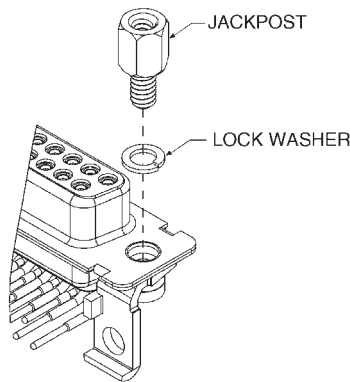


NOTE: (1) A 6 inch/pound (female) and 4 inch/pound (male) maximum torque during assembly is recommended on steel screw lock assemblies. (2) A third flat washer is supplied for front panel mounting of tab shell connectors.

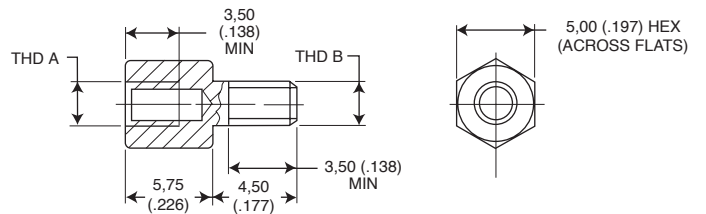
Materials and Finishes	
Material:	Steel
Finish:	Chromate over Cadmium (Mil Spec) or Zinc (RoHS)

Yellow Chromate over cadmium each	Over Cadmium Kit of 2 each	Yellow Chromate over zinc each	RoHS Compliant Part Number	A ± 0,38 (.015)	Mil-Spec Part Number Ref	Stainless Steel Part Number
D20418-145	D20418-82	D20418-128	D20418-134	7,92 (.312)	M24308/26-1	D20418-14 REF
D20418-50	D20418-131	-	D20418-135	12,70 (.500)	-	D20418-102
D20418-147	D20418-83	D20418-129	D20418-136	15,88 (.625)	M24308/26-2	D20418-77 REF
D20418-74	D20418-132	-	D20418-137	19,05 (.750)	-	-

Screw Locks for Connectors with Integral Threaded Inserts



- Kit consists of 1 jackpost, 1 lock washer.
- Order 2 per connector.



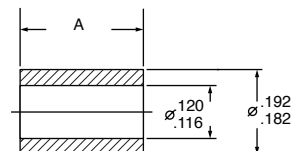
Part Number	Thread Type	
	THD A	THD B
D121073-39	# 4-40 UNC-2B	# 4-40 UNC-2A
D112041 *	# 4-40 UNC-2B	# 4-40 UNC-2A
D121073-42	M3	M3

Loose Spacer

Part Number: 253-0343-000 (D*M Style)
 Part Number: 253-0343-011 (D*MA Style)
 Part Number: 253-0343-016 (D*MA Style) St. Stl.

Dim A
 5.84 ± .08 (.230 ± .003)
 9.40 ± .13 (.370 ± .005)
 9,40 +/- 0,13 (.370 +/- .005)

Materials and Finishes	
Material:	Aluminum
Finish:	Chromate over Cadmium



RoHS compliant stainless steel and brass versions are available, please contact factory for more information.

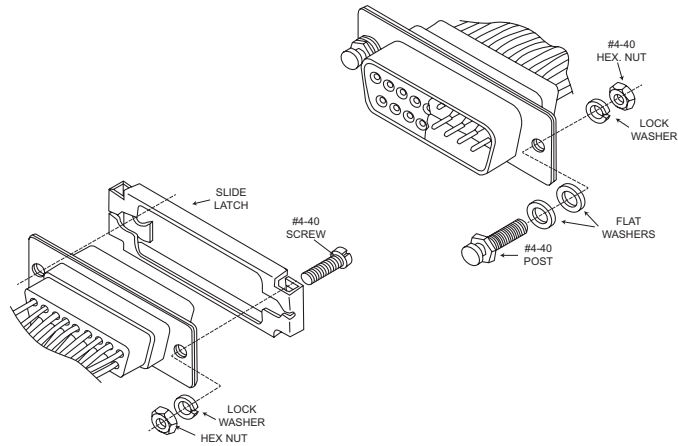
Dimensions shown in mm
 Specifications and dimensions subject to change

Slide Lock Assemblies

ITT offers the largest variety of locking and latching hardware. Refer to the accessories selection guide on page 6 for use with Cannon backshells.

Product Features

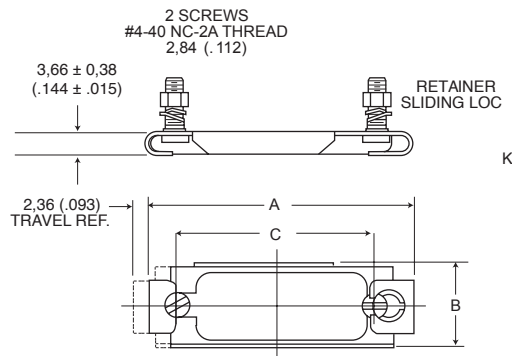
- Ensures positive mating
- Provides locking and latching for high vibration applications



Sliding Lock Retainer Assembly



- Kit consists of 1 sliding lock plate, 2 mounting screws, 2 lock washer, 2 hex nuts
- Order 1 kit per connector



Descriptions	Material	Finish/Treatment
Sliding Lock Plate	Stainless Steel	Passivated
Screw, Mounting	Steel	Trivalent Chromate over Zinc
Washer Lock	Steel	
Nut, Hex	Steel	

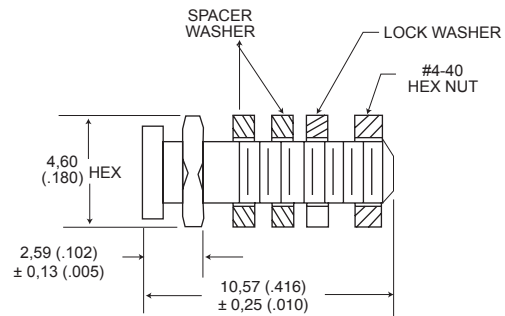
Shell Size	Layout	Part Number	A ± 0,38 (.015)	B ± 0,38 (.015)	C ± 0,13 (.005)
DE	9	DE51224-1	35,05 (1.380)	12,70 (.500)	25,00 (.984)
DA	15	DA51220-1	43,70 (1.720)	12,70 (.500)	33,32 (1.312)
DB	25	DB51221-1	57,40 (2.260)	12,70 (.500)	47,04 (1.852)
DC	37	DC51222-1	73,86 (2.908)	12,70 (.500)	63,50 (2.500)
DD	50	DD51223-1	71,47 (2.814)	15,47 (.609)	61,11 (2.406)

Slide Lock Post Assemblies



- Consists of 1 post, 2 washers, 1 lock washer, and 1 hex nut.¹
- Order 2 per connector.²

Part Number:		
Each ^{1,2}	Kit of 2 each	
D53018*	D53018-11*	Material: Steel, Finish: Chromate over Cadmium
D53018-14	D53018-20	Material: Stainless Steel, Finish: Passivated
P/N D53018-21	D53018-22	Material: Steel, Finish: Chromate over Zinc



NOTE: When rear-mounting connector to a 1/16" panel, delete the second spacer washer.

* Not RoHS Compliant.



Dimensions shown in mm
Specifications and dimensions subject to change

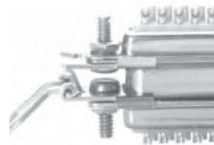
Spring Latch Assemblies

Refer to the accessories selection guide on page 6 for use with Cannon backshells.

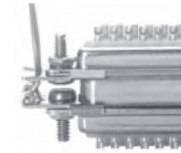
Product Features

- Low Cost
- Minimizes field connection time
- Positive lock between connectors
- Packaged 2 kits per bag

Unlocked



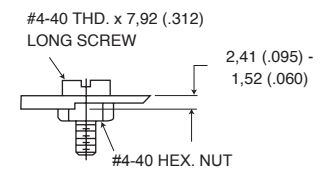
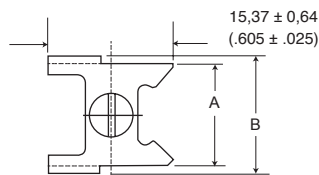
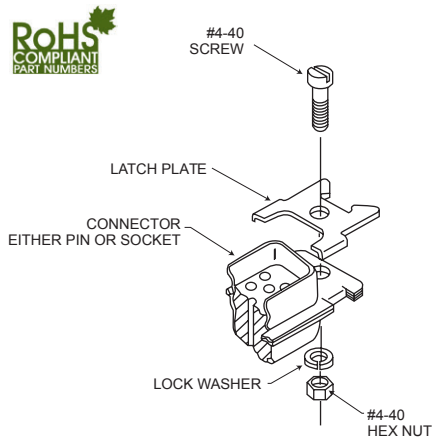
Locked



Materials and Finishes

Material:	Stainless Steel
Finish:	Passivated

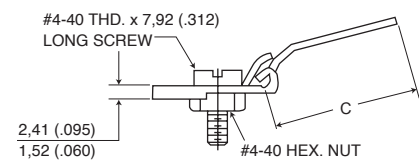
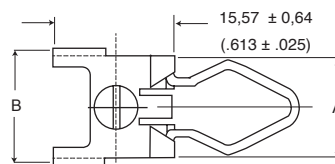
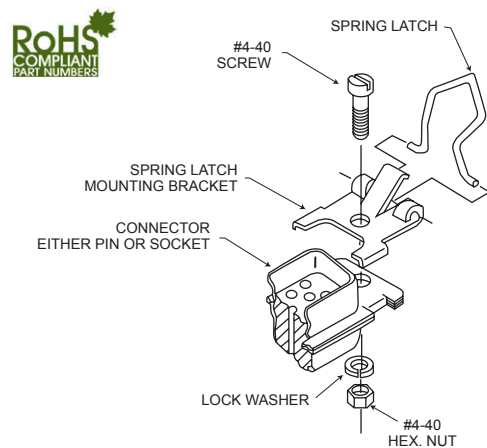
Spring Latch Plate Assembly



- Kit consists of 1 plate, 1 screw, 1 lock washer, 1 hex nut.
- Order 2 kits per connector.

Shell Size	Layout	Part Number	A ± 0,38 (.015)	B ± 0,38 (.015)	Part Number Kit of 2 each
DE, DA, DB, DC	9,15, 25, 37	D110278	12,42 (.489)	14,35 (.565)	D110278-4
DD	50	D110280	15,47 (.609)	17,09 (.673)	D110280-3

Spring Latch Assembly



Shell Size	Layout	Part Number	A ± 0,38 (.015)	B ± 0,38 (.015)	C ± 0,51 (.020)	Part Number Kit of 2 each
DE, DA, DB, DC	9,15, 25, 37	D110277	12,42 (.489)	14,35 (.565)	18,59 (.732)	D110277-2
DD	50	D110279	15,47 (.609)	17,09 (.673)	18,59 (.732)	D110279-3

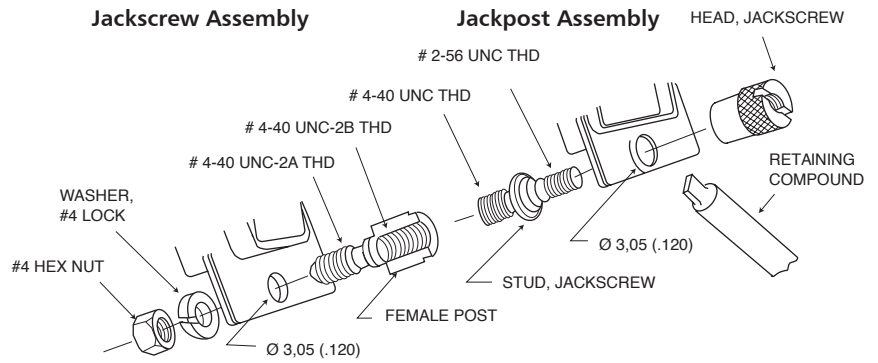
D110277-4 Rear panel mount version also available

- Kit consists of 1 spring, 1 screw, 1 bracket, 1 lock washer, 1 hex nut.
- Order 2 kits per connector. Front panel mounting.

Dimensions shown in mm
Specifications and dimensions subject to change

Jackscrew/Jackpost Assemblies

Refer to the accessories selection guide on pages 6-7 for use with Cannon backshells.

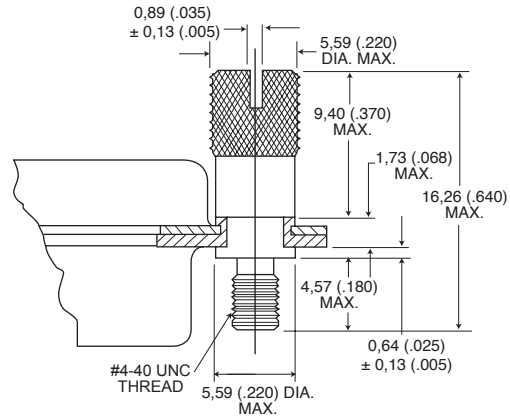


Jackscrew Assembly



- Kit consists of 2 studs, 2 heads, 1 tube retaining compound (US only)
- Order one kit per connector

Part Number: D110550	
Materials and Finishes	
Material:	Stainless Steel
Treatment:	Passivated

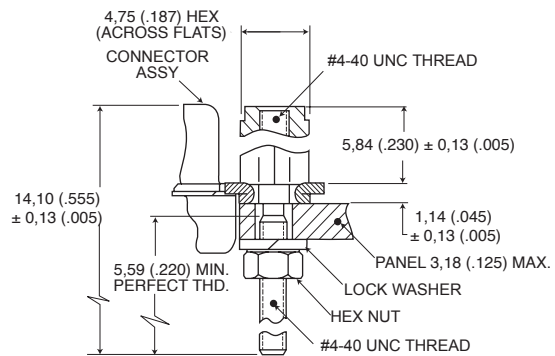


Jackpost Assembly



- Kit consists of 2 posts, 2 hex nuts, 2 lock washer
- Order one kit per connector

Part Number: D110551	
Materials and Finishes	
Material:	Stainless Steel
Treatment:	Passivated



NOTE: Jack post is not compatible with rear-panel mount connectors.

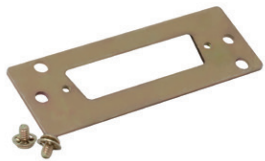


Dimensions shown in mm
Specifications and dimensions subject to change

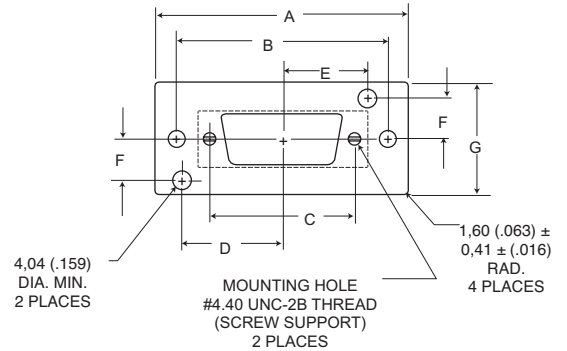
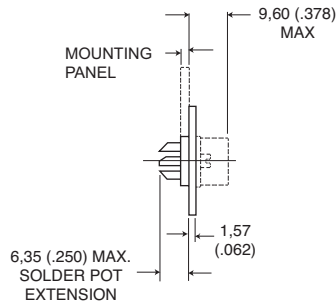
Guide Pin Plate



Female



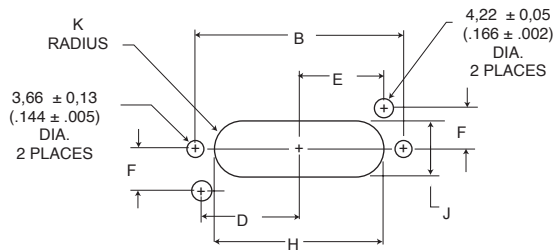
- Useful in blind mate applications.
- Kit consists of 1 plate, 2 screws.
- Guide pin inserts for Size 8 cavities for Combo D® connectors also available. Refer to Combo D catalog.



Materials and Finishes	
Plate and Hardware Material:	Steel
Plate and Hardware Finish:	Chromate over Zinc

Shell Size	Layout	Part Number	A ±0,41 (.016)	B ±0,13 (.005)	C ±0,13 (.005)	D ±0,13 (.005)	E ±0,13 (.005)	F ±0,13 (.005)	G ±0,41 (.016)	H ±0,41 (.016)	J ±0,41 (.016)	K ±0,41 (.016)
DE	9	DE111920	49,61 (1.953)	40,08 (1.578)	25,00 (.986)	18,65 (.734)	15,27 (.601)	9,52 (.375)	25,40 (1.000)	30,58 (1.204)	12,29 (.484)	6,15 (.242)
DA	15	DA22214	57,96 (2.282)	48,41 (1.906)	33,32 (1.312)	22,81 (.898)	19,43 (.765)	9,52 (.375)	25,40 (1.000)	38,91 (1.532)	12,29 (.484)	6,15 (.242)
DB	25	DB22254	71,63 (2.820)	62,13 (2.446)	47,04 (1.852)	29,67 (1.168)	26,29 (1.035)	9,52 (.375)	25,40 (1.000)	51,21 (2.016)	11,91 (.469)	5,94 (.234)
DC	37	DC22071	88,11 (3.469)	78,59 (3.094)	63,50 (2.500)	37,90 (1.492)	34,52 (1.359)	9,52 (.375)	25,40 (1.000)	67,49 (2.657)	11,91 (.469)	5,94 (.234)
DD	50	DD21961	85,72 (3.375)	76,20 (3.000)	61,11 (2.406)	36,50 (1.437)	33,32 (1.312)	11,10 (.437)	28,58 (1.125)	65,10 (2.563)	14,30 (.563)	7,16 (.282)

Recommended Panel Cutout



Dimensions shown in mm
Specifications and dimensions subject to change

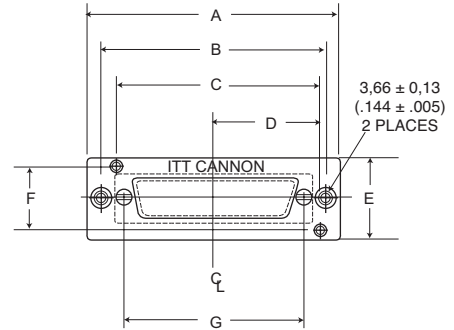
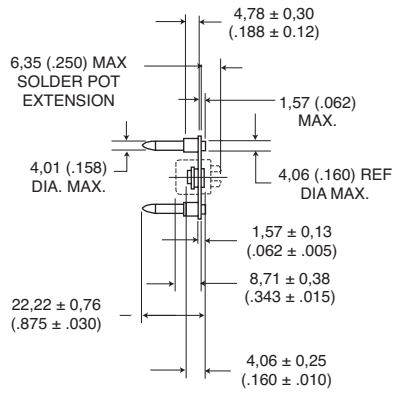


Male



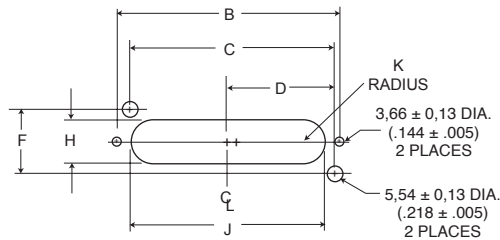
- Useful in blind mate applications.
- Kit consists of 1 plate, 2 screws, 2 rivets, 2 guide pins, 2 washer
- Guide pin inserts for Size 8 cavities for Combo D® connectors also available. Refer to Combo D catalog.

Materials and Finishes	
Plate and Hardware Material:	Steel
Plate and Hardware Finish:	Chromate over Zinc
Guide Pin Material:	Stainless Steel



Shell Size	Layout	Part Number	A ±0,41 (.016)	B ±0,13 (.005)	C ±0,13 (.005)	D ±0,13 (.005)	E ±0,13 (.005)	F ±0,13 (.005)	G ±0,41 (.016)	H ±0,41 (.016)	J ±0,41 (.016)	K ±0,41 (.016)
DE	9	DE111919	49,61 (1.953)	40,08 (1.578)	33,91 (1.335)	18,65 (.734)	25,40 (1.000)	19,05 (.750)	25,00 (.984)	12,29 (.484)	30,58 (1.204)	6,15 (.242)
DA	15	DA22213	57,96 (2.282)	48,41 (1.906)	42,24 (1.663)	22,81 (.898)	25,40 (1.000)	19,05 (.750)	33,32 (1.312)	12,29 (.484)	38,89 (1.531)	6,15 (.242)
DB	25	DB22255	71,63 (2.820)	62,13 (2.446)	55,96 (2.203)	29,67 (1.168)	25,40 (1.000)	19,05 (.750)	47,04 (1.852)	12,29 (.484)	51,99 (2.047)	6,15 (.242)
DC	37	DC22070	88,11 (3.469)	78,59 (3.094)	72,42 (2.851)	37,90 (1.492)	25,40 (1.000)	19,05 (.750)	63,50 (2.500)	12,29 (.484)	68,25 (2.687)	6,15 (.242)
DD	50	DD21962	85,72 (3.375)	76,20 (3.000)	69,82 (2.749)	36,50 (1.437)	28,58 (1.125)	22,20 (.874)	61,11 (2.406)	15,06 (.593)	66,93 (2.635)	7,52 (.296)

Recommended Panel Cutout

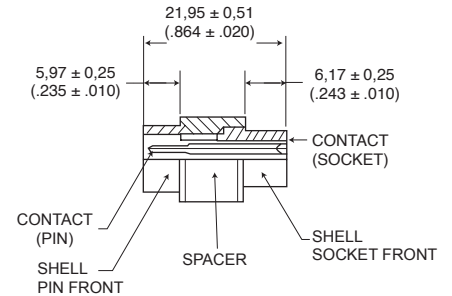
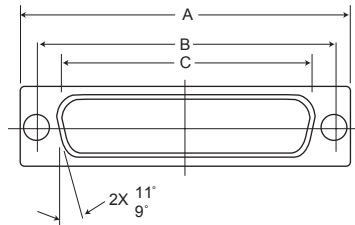


Connector Saver

High Reliability Connector Saver



Engaging Face, Pin Side



NOTE: Hardware removed for clarity.

Shell Size	Layout	Part Number	A ± 0,40 (.015)	B ± 0,25 (.010)	C ± 0,25 (.010)
DE	9	DEBMAM9PS	30,81 (1.213)	24,99 (.984)	16,92 (.666)
DA	15	DABMAM15PS	39,14 (1.541)	33,32 (1.312)	25,25 (.994)
DB	50	DBBMAM25PS	53,04 (2.088)	47,04 (1.852)	38,96 (1.534)
DC	37	DCBMAM37PS	69,32 (2.729)	63,50 (2.500)	55,42 (2.182)
DD	50	DDBMAM50PS	66,93 (2.635)	61,11 (2.406)	52,81 (2.079)

Specifications	
Temperature:	-55° C to 105° C
Current Rating:	7 A
Dielectric withstanding Voltage:	500 VAC at Sea Level

Materials and Finishes		
Description	Material	Finish
Shells:	Steel	Yellow Chromate over Zinc
Insulator:	White Thermoplastic, UL 94V-0	—
Contacts:	Copper Alloy	Gold Over Copper
Locking Hardware:	Stainless Steel	Passivated

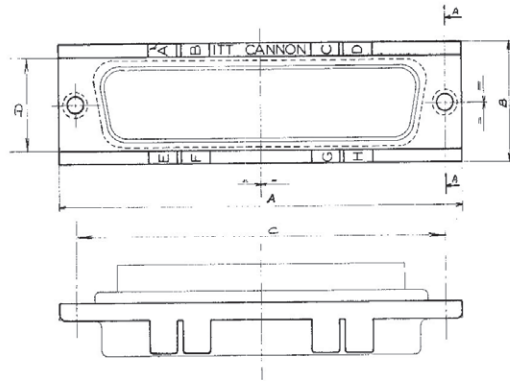
Dimensions shown in mm
Specifications and dimensions subject to change

Miscellaneous

Polarizing Plates

Material: Black plastic, 94-V-O rated

Part Number by Shell Size	A	B
DE115398	1.208 (30.7)	0.629 (16)
DA115398-1	1.535 (39.0)	0.629 (16)
DB115398-2	2.082 (52.9)	0.629 (16)
DC115398-3	2.726 (69.2)	0.629 (16)
DD115398-4	2.630 (66.8)	0.749 (19)



Polarizing Scheme

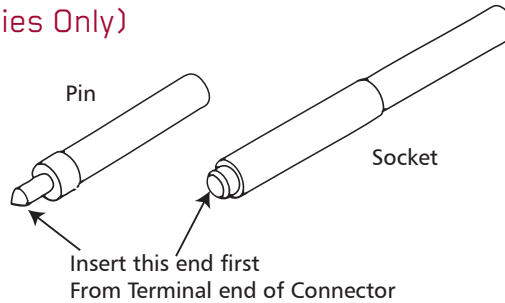
Polarizing Keys	A	B	C	D	E	F	G	H
Position 1	○	×	×	○	○	×	×	○
Position 2	×	○	○	×	×	○	○	×
Position 3	○	○	×	×	×	×	○	○
Position 4	×	×	○	○	○	○	×	×
Position 5	×	×	○	○	×	×	○	○
Position 6	○	○	×	×	○	○	×	×
Position 7	×	○	×	○	○	×	○	×
Position 8	○	×	○	×	×	○	×	○
Position 9	×	○	×	○	×	○	×	○
Position 10	○	×	○	×	○	×	○	×

○ Cut Key on pin connector × Cut Key on socket connector

Wire Hole Fillers (D*MA Series Only)

Material: Acetal

Part Number	Insert Type
DMA51236-1	#20 Socket
DMA51235-1	#20 Pin
225-1013-000	#22 Pin & Socket



M24308 Qualified Coupling Hardware

ITT Cannon is a qualified supplier of M24308/25 and M24308/26 Coupling Hardware

M24308/25	M24308/26
M24308/25-9Z	M24308/26-1F
M24308/25-10Z	M24308/26-2F
M24308/25-9F	M24308/26-1P
M24308/25-10F	M24308/26-1Z
M24308/25-9P	M24308/26-2Z
	M24308/26-2P



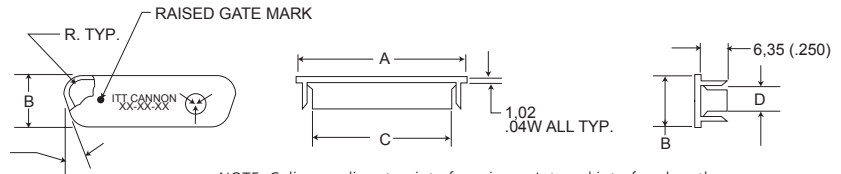
Dimensions shown in mm
Specifications and dimensions subject to change

ittcannon.com

Dust Cap



Dust caps provide protection from moisture and dust for unused I/O ports.



NOTE: C dim. applies at point of maximum Integral interface length. Drawing shown for Black Anti-static caps. Dimensions shown are reference only.

Product Features

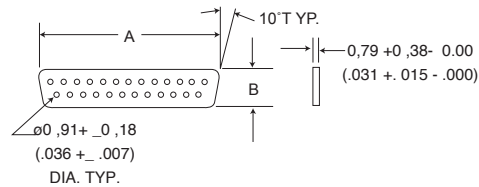
- Dust Caps meet the static decay test requirements of MIL-B- 81705C, Type II.
- Dust Caps have an integral flange for easy application and removal

Black Antistatic (Surface Resistivity <math>< 1 \times 10^5 \text{ ohm/sq.}</math>)	I.D.	A	B	C	D
DE-59-20BA	Socket	20,32 (.800)	11,43 (.450)	16,36 (.644)	7,59 (2.99)
DA-59-20BA	Socket	28,45 (1.120)	11,68 (.460)	24,59 (.968)	7,62 (.300)
DB-59-20BA	Socket	42,42 (1.670)	11,68 (.460)	38,25 (1.506)	7,49 (.295)
DC-59-20BA	Socket	58,93 (2.320)	11,68 (.460)	54,81 (2.158)	7,37 (.290)
DD-59-20BA	Socket	56,90 (2.240)	14,48 (.570)	53,11 (2.091)	10,41 (.410)
DE-60-20BA	Pin	21,84 (.860)	12,95 (5.10)	17,78 (.700)	8,92 (.351)
DA-60-20BA	Pin	30,48 (1.200)	12,95 (.510)	26,52 (1.044)	9,02 (.355)
DB-60-20BA	Pin	44,20 (1.740)	13,46 (.530)	39,60 (1.559)	9,09 (.358)
DC-60-20BA	Pin	60,71 (2.390)	13,46 (.530)	56,90 (2.240)	9,37 (.369)
DD-60-20BA	Pin	58,17 (2.290)	16,00 (.630)	54,28 (2.137)	12,04 (.474)

Materials and Finishes

Material:	Polyethylene
-----------	--------------

Interfacial Seal



Interfacial seals provide moisture resistance at the mating interface.

Product Features

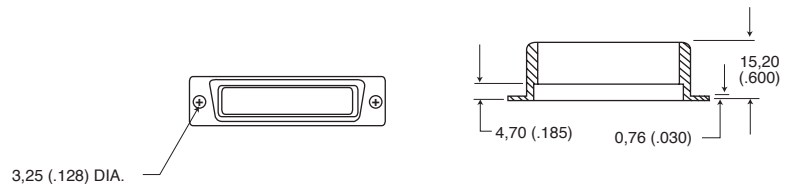
- Other Interfacial Seals in the Combo D[®] layouts are available upon request.

Shell Size	Layout	Part Number	A	B
DE	9	DE53750	16,66 (.656)	8,41 (.331)
DA	15	DA53750-1	24,99 (.984)	8,41 (.331)
DB	25	DB53750-2	38,88 (1.531)	8,41 (.331)
DC	37	DC53750-3	55,14 (2.171)	8,41 (.331)
DD	50	DD53750-4	52,78 (2.078)	11,18 mm (.440)
DC	21WA4	075-0354-003	55,14 (2.171)	8,41 (.331)
DE	15	273-0333-000	16,66 (.656)	8,41 (.331)
DB	44	273-0335-000	38,88 (1.531)	8,41 (.331)
DC	62	273-0336-000	55,14 (2.171)	8,41 (.331)
DD	78	273-0337-000	52,78 (2.078)	11,10 (.437)

Materials and Finishes

Material:	Silastic Sheet
-----------	----------------

Potting Shell



Potting shells are molded with a thin flange 0,76 (.030) to permit the use of D Subminiature locking devices.

Shell Size	Layout	Part Number
DE	9	DE50904-1
DA	15	DA50905-1
DB	25	DB50906-1
DC	37	DC50907-1
DD	50	DD50908-1

Materials and Finishes

Material:	Nylon
Color:	Natural (white)

Dimensions shown in mm
Specifications and dimensions subject to change

Index

Standard RoHS Part #	Part #	Page #	Standard RoHS Part #	Part #	Page #	Standard RoHS Part #	Part #	Page #
070372-0045	Same	8	D70372-0028	Same	8	DC50907-1	Same	27
070372-0046	Same	8	D70372-0029	Same	8	DC51214	Same	17
070372-0047	Same	8	DA115339-21	Same	16	DC51215	Same	17
075-0354-003	Same	27	DA115398-1	Same	26	DC51222-1	Same	20
250-8501-004	Same	15	DA121073-150	Same	14	DC53750-3	Same	27
250-8501-009	Same	15	DA121073-50	Same	14	DC-59-20	Same	27
250-8501-010	Same	15	DA19678-1	DA19678-212	13	DC-60-20	Same	27
250-8501-013	Same	15	DA19977-1	DA19977-68	13	DCBMA37PS	Same	27
273-0333-000	Same	27	DA20961	DA20961-26	12	DCBSS150	Same	8
273-0334-000	Same	27	DA22213	Same	24	DCBSA150	Same	8
273-0335-000	Same	27	DA22214	Same	23	DCBSB150	Same	8
273-0336-000	Same	27	DA24658	DA24658-28	12	DD115398-4	Same	26
273-0337-000	Same	27	DA50905-1	Same	27	DD115339-24	Same	16
980-2000-345	Same	9	DA51210	Same	17	DD121073-153	Same	14
980-2000-346	Same	9	DA51211	Same	17	DD121073-53	Same	14
980-2000-347	Same	9	DA51220-1	Same	20	DD19678-4	Same	13
980-2000-348	Same	9	DA53750-1	Same	27	DD19977-4	Same	13
980-2000-350	Same	15	DA-59-20	Same	27	DD20964	DD20964-32	12
980-2000-351	Same	15	DA-60-20	Same	27	DD21961	Same	23
980-2000-352	Same	15	DABMAM15S	Same	25	DD21962	Same	24
980-2000-353	Same	15	DABS-15	Same	16	DD24661	Same	12
980-2000-354	Same	15	DABSS090	Same	8	DD50908-1	Same	27
D110277	Same	21	DABSA090	Same	8	DD51216	Same	17
D110278	Same	21	DABSB090	Same	8	DD51217	Same	17
D110279	Same	21	DB115339-22	Same	16	DD51223-1	Same	20
D110280	Same	21	DB115398-2	Same	26	DD53750-4	Same	27
D110550	Same	22	DB121073-151	Same	14	DD-59-20	Same	27
D110551	Same	22	DB121073-51	Same	14	DD-60-20	Same	27
D121073-19	Same	15	DB19678-2	DB19678-213	13	DDBMAM50PS	Same	25
D121073-39	Same	19	DB19977-2	DB19977-69	13	DDBSS170	Same	8
D121073-42	Same	19	DB20962	DB20962-30	12	DDBSA170	Same	8
D20418-2	D20418-134	19	DB22254	Same	23	DDBSB170	Same	8
D20418-39	D20418-136	19	DB22255	Same	24	DE111919	Same	24
D20418-50	D20418-135	19	DB24659	DB24659-27	12	DE111920	Same	23
D20418-74	D20418-137	19	DB50906-1	Same	27	DE115339-20	Same	16
D20419	D20419-211	18	DB51212	Same	17	DE115398	Same	26
D20419-104	D20419-214	18	DB51213	Same	17	DE121073-154	Same	14
D20419-18	D20419-212	18	DB51221-1	Same	20	DE121073-54	Same	14
D20419-21	D20419-213	18	DB53750-2	Same	27	DE19977-5	DE19977-72	13
D20420	D20420-157	18	DB-59-20	Same	27	DE24657	DE24657-29	12
D20420-13	D20420-158	18	DB-60-20	Same	27	DE44994	DE44994-14	12
D20420-15	D20420-159	18	DBBMAM25PS	Same	25	DE50904-1	Same	27
D20420-86	D20420-160	18	DBBS-25	Same	16	DE51218	Same	17
D53018	Same	20	DBBSS120	Same	8	DE51219	Same	17
D70372-0016	Same	8	DBBSA120	Same	8	DE51224-1	Same	20
D70372-0017	Same	8	DBBSB120	Same	8	DE53750	Same	27
D70372-0018	Same	8	DC115339-23	Same	16	DE-59-20	Same	27
D70372-0019	Same	8	DC115398-3	Same	26	DE-60-20	Same	27
D70372-0020	Same	8	DC121073-152	Same	14	DEBMAM9PS	Same	25
D70372-0021	Same	8	DC121073-52	Same	14	DEBS-9	Same	16
D70372-00122	Same	8	DC19678-3	DC19678-214	13	DEBSS090	Same	8
D70372-0023	Same	8	DC19977-3	DC19977-70	13	DEBSA090	Same	8
D70372-0024	Same	8	DC20963	DC20963-27	12	DEBSB090	Same	8
D70372-0025	Same	8	DC22070	Same	24	DMA51235-1	Same	26
D70372-0026	Same	8	DC22071	Same	23	DMA51236-1	Same	26
D70372-0027	Same	8	DC24660	Same	12			

D-Subminiature Connectors



Invented by Cannon engineers in 1952 for aircraft radio systems, the D-Subminiature was designed as a smaller, lightweight rectangular alternative to larger, heavier connectors of the time. Today, Cannon continues its legacy of innovation through highly engineered D-Sub connector styles, sizes, configurations and accessories. From rocket launchers and telecommunications, to avionics and high-speed rail, its performance, reliability and versatility have made this Cannon invention one of the most widely used connectors in the world.



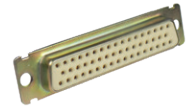
Non-Magnetic Series

D*M, D*MM, D*MA with NM, NMB option connectors are used when non magnetic characteristics are required.



D*H

Hermetic Military D connectors are designed to meet environmental conditions of extreme pressure differential.



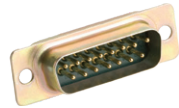
MIL-DTL-24308²

These high reliability D-Sub connectors are the finest quality and are qualified to MIL-DTL-24308.



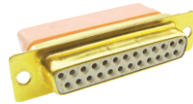
D*MAM

D*MAM crimp connectors are designed according to MIL-DTL-24308.



D*MM

D*MM straight PCB connectors are designed according to MIL-DTL-24308.



GD*

GD* connectors provide high-density and moisture protection.



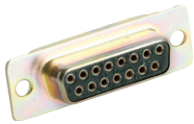
2D

2D connectors feature double the contact density in the same insert area.



D*MA

D*MA crimp connectors are designed according to MIL-DTL-24308



D*M

D*M straight PCB connectors are equivalent to MIL-DTL-24308 qualified versions (except for finishes).



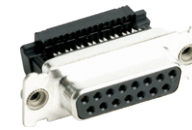
Stainless Steel

A broad range of D-Sub connectors are available with stainless steel shells for corrosion resistance.



D*NG

D*NG pressfit connectors provide a low-cost alternative to traditional through hole solder contacts (straight only).



D*SF

Speedy D connectors terminate ribbon cables without stripping and without splicing.



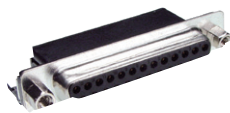
D*U

D*U is a low-cost, crimp type D-Subminiature series.



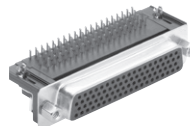
D*

D* connectors are available for high performance uses according to DIN 41652.



ZD*

ZD* connectors are available for applications where price is the primary driver.



ZD*A

ZD*A high density connectors are available for applications where price is the primary driver.



D*A

D*A crimp connectors are available for applications where price is the primary driver.



Combo-D

Combo-D connectors offer an industry standard shield I/O interconnect, with the flexibility of a customized special.

Dimensions shown in mm
Specifications and dimensions subject to change

About ITT Cannon

ITT is a diversified leading manufacturer of highly engineered critical components and customized technology solutions for the energy, transportation and industrial markets. Building on its heritage of innovation, ITT partners with its customers to deliver enduring solutions to the key industries that underpin our modern way of life. Founded in 1920, ITT is headquartered in White Plains, N.Y., with employees in more than 35 countries and sales in a total of approximately 125 countries. For more information visit itt.com

ITT's Cannon brand offers a product portfolio that remains one of the most extensive in the industry. Continuous investment in technology, research and investment have enabled us to provide new, innovative solutions to markets including:

- **Commercial Aerospace**
- **Military & Defense**
- **Industrial**
- **Medical**

When you specify an ITT Cannon interconnect solution, you can rely on products designed, developed and manufactured to the highest quality and reliability standards. This tradition of excellence is based on ITT's corporate culture of operating its businesses under the principles of Six Sigma. At ITT, Six Sigma is not just a quality philosophy but a complete corporate culture that drives the entire business. Our Value Based Management and Value-Based Product Development systems are two cornerstones that allow for the development of both leadership and product engineering principles.

Six Sigma Manufacturing

ITT Cannon operates manufacturing facilities in the United States, Germany, Italy, Mexico, China and Japan, all of which have particular product area strengths that allow ITT Cannon to offer a truly global presence to our customers. Our facilities are world class and accommodate full vertical integration, utilizing the latest manufacturing technologies including automated and robotic machining centers, Super Market manufacturing cells, Kanban pull systems, and automated electrical, mechanical, and optical test and inspection equipment. The combination of our manufacturing strength and our advanced manufacturing facilities allows ITT to offer products at market driven prices. Our capabilities, especially in robotics, computerized precision tooling, Kaizen Project Management, Six Sigma tools and testing give ITT the most optimized global manufacturing footprint in the interconnect industry.

The Custom Difference

As an industry leader in harsh environment interconnect applications, ITT's world class engineering teams work directly with our customers to design and develop cost-effective solutions for their applications. In many cases we may modify one of our standard designs to ensure a highly reliable solution where timing is critical. When custom connectors are required, we collaborate with clients and partners with a goal to design the most reliable, cost-effective solution possible. Our engineering and product management teams provide a thorough analysis of proposed solutions, ensuring our customers receive the right solution for their program and application needs.

RoHS Compliance Information

ITT has implemented a strict parts control plan for all ITT electronics plants worldwide that allows the Cannon product portfolio to meet the requirements of the European Union Directive 2002/95/EC better known as the Reduction of Hazardous Substances initiative. As appropriate, specific Cannon products may be ordered with an R prefix number which insures our customers will receive RoHS compliant parts for their commercial electronics applications and equipment. Since most RoHS hazardous substances center around specific metal plating and lead solder coatings, ITT's products for RoHS compliance are available in the following plating finishes: electroless nickel, stainless steel, anodize over aluminum and gold plating. It should be noted that gold plating would be recommended as the replacement for tin-lead solder when ordering board mount connectors.



PRODUCT SAFETY INFORMATION

THIS NOTE MUST BE READ IN CONJUNCTION WITH THE PRODUCT DATA SHEET/CATALOG. FAILURE TO OBSERVE THE ADVICE IN THIS INFORMATION SHEET AND THE OPERATING CONDITIONS SPECIFIED IN THE PRODUCT DATA SHEET/ CATALOG COULD RESULT IN HAZARDOUS SITUATIONS.

1. MATERIAL CONTENT AND PHYSICAL FORM

Electrical connectors do not usually contain hazardous materials. They contain conducting and non-conducting materials and can be divided into two groups:

- a) Printed circuit types and low-cost audio types which employ all plastic insulators and casings;
- b) Rugged, Fire Barrier and High Reliability types with metal casings and either natural rubber, synthetic rubber, plastic, or glass insulating materials.

Contact materials vary with type of connector and application and are usually manufactured from either copper, copper alloys, nickel, alumel, chromel or steel. In special applications, other alloys may be used.

2. FIRE CHARACTERISTICS AND ELECTRIC SHOCK HAZARD

There is no fire hazard when the connector is correctly wired and used within the specified parameters. Incorrect wiring or assembly of the connector or careless use of metal tools or conductive fluids, or transit damage to any of the component parts may cause electric shock or burns. Live circuits must not be broken by separating mated connectors as this may cause arcing, ionization and burning. Heat dissipation is greater at maximum resistance in a circuit. Hot spots may occur when resistance is raised locally by damage (e.g., cracked, or deformed contacts, broken strands of wire). Local overheating may also result from the use of the incorrect application tools or from poor quality soldering or slack screw terminals. Overheating may occur if the ratings in the product data sheets/catalogues are exceeded and can cause breakdown of insulation and hence electric shock. If heating is allowed to continue, it intensifies by further increasing the local resistance through loss of temper of spring contacts, formation of oxide film on contacts and wires and leakage currents through carbonization of insulation and tracking paths. Fire can then result in the presence of combustible materials, and this may release noxious fumes. Overheating may not be visually apparent. Burns may result from touching overheated components.

3. HANDLING

Care must be taken to avoid damage to any component parts of electrical connectors during installation and use. Although there are normally no sharp edges, care must be taken when handling certain components to avoid injury to fingers. Electrical connectors may be damaged in transit to the customers, and damage may result in creation of hazards. Products should therefore be examined prior to installation/use and rejected if found to be damaged.

4. DISPOSAL

Incineration of certain materials may release noxious or even toxic fumes.

5. APPLICATION

Connectors with exposed contacts should not be selected for use on the current supply side of an electrical circuit because an electric shock could result from touching exposed contacts on an unmated connector.

Voltages more than 30 V ac or 42.5 V dc are potentially hazardous, and care should be taken to ensure that such voltages cannot be transmitted in any way to exposed metal parts of the connector body. The connector and wiring should be checked before making live to ensure that there is no damage to metal parts or insulators, no solder blobs, loose strands, conducting lubricants, swarf, or any other undesired conducting particles. Circuit resistance and continuity check should be made to make certain that there are no high resistance joints or spurious conducting paths. Always use the correct application tools as specified in the data sheets/catalogues. Do not permit untrained personnel to wire, assemble or tamper with connectors. For operation voltage please see appropriate regulations for the applicable region/country.

6. IMPORTANT GENERAL INFORMATION

- (i) Air and creepage paths/Operating voltage. The admissible operating voltages depend on the individual applications and the applicable safety regulations (including, but not limited to, region/country-specific regulations). For this reason, the air and creepage path data are only reference values. A reduction of air and creepage paths due to PC board and/or harnessing is normal.
- (ii) Temperature. All information given are temperature limits. The operation temperature depends on the individual application.
- (iii) Other important information. ITT continuously endeavors to improve its products. Therefore, the products may deviate from the description, technical data and shape as shown in this catalogue and/or data sheets.

7. MISCELLANEOUS

“Cannon” and “Veam” are brands of ITT, Inc. (“ITT”). ITT’s connector products are intended to be used in accordance with the specifications in this publication (and any other relevant publications that are applicable to the specific product). Any use or application that deviates from the stated operating specifications is not recommended and may be unsafe. No information and data contained in this publication shall be construed to create any liability on the part of ITT or its successors, assigns, officers, directors, employees, affiliates, and agents, including, but not limited to, any liability for any patent infringements or other rights of third parties which may result from its use. Any new issue of this publication shall automatically invalidate and supersede all previous issues. Reprinting this publication is generally permitted, provided that ITT’s prior written consent is obtained, and the source is indicated.

This publication is not to be construed as an offer. It is intended merely as an invitation to make an offer. Product availability, prices, and delivery dates are exclusively subject to ITT’s order confirmation form; the same applies to orders based on development samples delivered. Please refer to ITT’s Terms and Conditions of Sale located at www.ittcannon.com for the full text of the terms and conditions that apply to ITT’s connector products.

Commodities in this catalogue may be controlled for export by the International Traffic in Arms Regulations (ITAR) and Export Administration Regulations (EAR) when specifically designed, modified, or configured for articles controlled by the United States Government.

Connect with your ITT Cannon representative today
or visit us ittcannon.com

Connect with the experts


ITT's Cannon brand is a world leader in the design and manufacture of highly engineered connector solutions for multiple end markets.



Why ITT

ITT is a focused multi-industrial company that designs and manufactures highly engineered critical components and customized technology solutions. ITT's Cannon brand is a leading global manufacturer of connector products serving international customers in aerospace, defense, medical, industrial and transportation end markets. ITT's Connector business, which also includes the Veam and BIW Connector Systems brand, manufactures and supplies a variety of connectors and interconnects that make it possible to transfer data, signal and power in an increasingly connected world.

Connect with your ITT Cannon representative today or visit us at ittcannon.com

Follow us 

CHINA - Shenzhen City
+86.755.2726.7888

GERMANY - Weinstadt
+49.7151.699.0

ITALY - Lainate
+39.02938721

KOREA
+82.2.702.7111

SHANGHAI
+ 86.21.2231.2222

UK - Basingstoke
+44.1256.347400

FRANCE
+33.1.60.04.93.93

HONG KONG
+852.2732.2720

JAPAN - Kanagawa
+81.462.57.2010

MEXICO - Nogales
+52.631.3110050

SINGAPORE
+65 66974205

USA - Irvine, CA
+1.800.854.3028

Mouser Electronics

Authorized Distributor

Click to View Pricing, Inventory, Delivery & Lifecycle Information:

[ITT Cannon:](#)

[250-8501-013](#) [980-2000-347](#) [980-2000-345](#) [980-2000-348](#) [D110278-HS](#) [DA-60-20RC](#) [DA121073150](#) [D1102803](#)
[DA12107350](#) [DB121073-56](#) [DE121073-59](#) [DE121073159](#) [DA121073-155](#) [DB121073156](#) [980-2000-346](#) [980-2000-](#)
[349](#) [M24308/24-28F](#) [M24308/1-1F](#) [M24308/24-32F](#) [M24308/24-3F](#) [M24308/23-3F](#) [M24308/1-5F](#) [M24308/3-1F](#)
[M24308/24-31F](#) [M24308/23-1F](#) [M24308/1-2F](#) [M24308/24-27F](#) [M24308/24-1F](#) [M24308/3-2F](#) [M24308/24-2F](#)
[M24308/24-33F](#) [M24308/3-3F](#) [M24308/1-3F](#) [M24308/23-2F](#) [M24308/1-4F](#) [M24308/3-5F](#) [DE121073-159](#) [980-2000-](#)
[437](#) [980-2000-438](#) [DEFME-100](#) [DEFME-101](#) [D53018-HS](#) [D53018-ES](#) [D53018-11](#) [DDFME-100](#) [D53018-S](#)
[DAFME-101](#) [DCFME-100](#) [M85049/50-5F](#) [DBFME-101](#) [DAFMX-101](#) [D53018-V](#) [M24308/4-13F](#) [DAF15S](#) [DD-59-](#)
[20BA](#) [D53018-20](#) [D20419-211](#) [DAF15SA191](#) [DAF15SA197](#) [DAF15P](#) [DAF15PK87](#) [D20420-164](#) [DA22213-1](#)
[D110277-V](#) [D53018-14](#) [DD24661-27](#)

Looking for pricing, stock, or lifecycle information?

Click below to explore more details on WIN SOURCE:

 [View M24308/1-3F on WIN SOURCE](#)

 [ITT Cannon, LLC Information](#)

Optimize Your Supply Chain with WIN SOURCE Solutions

-  Global Sourcing Solution
-  Obsolete Management
-  Cost Control Management
-  Shortage Management
-  Alternative Solution
-  Excess Inventory Management