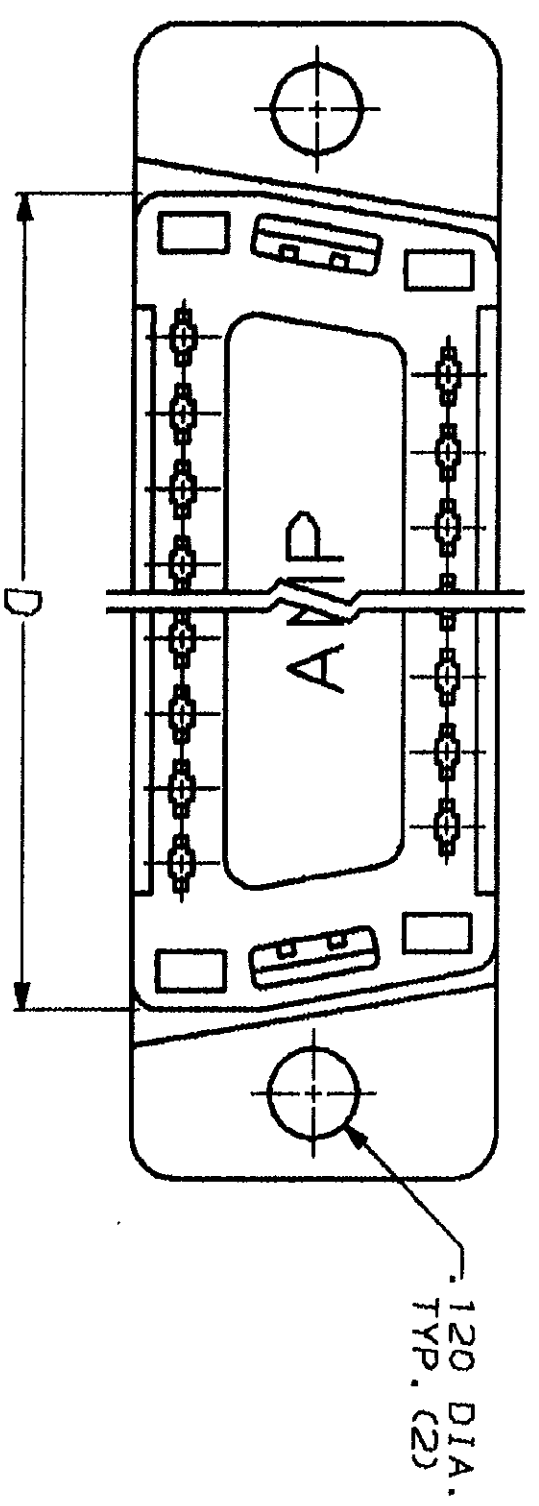
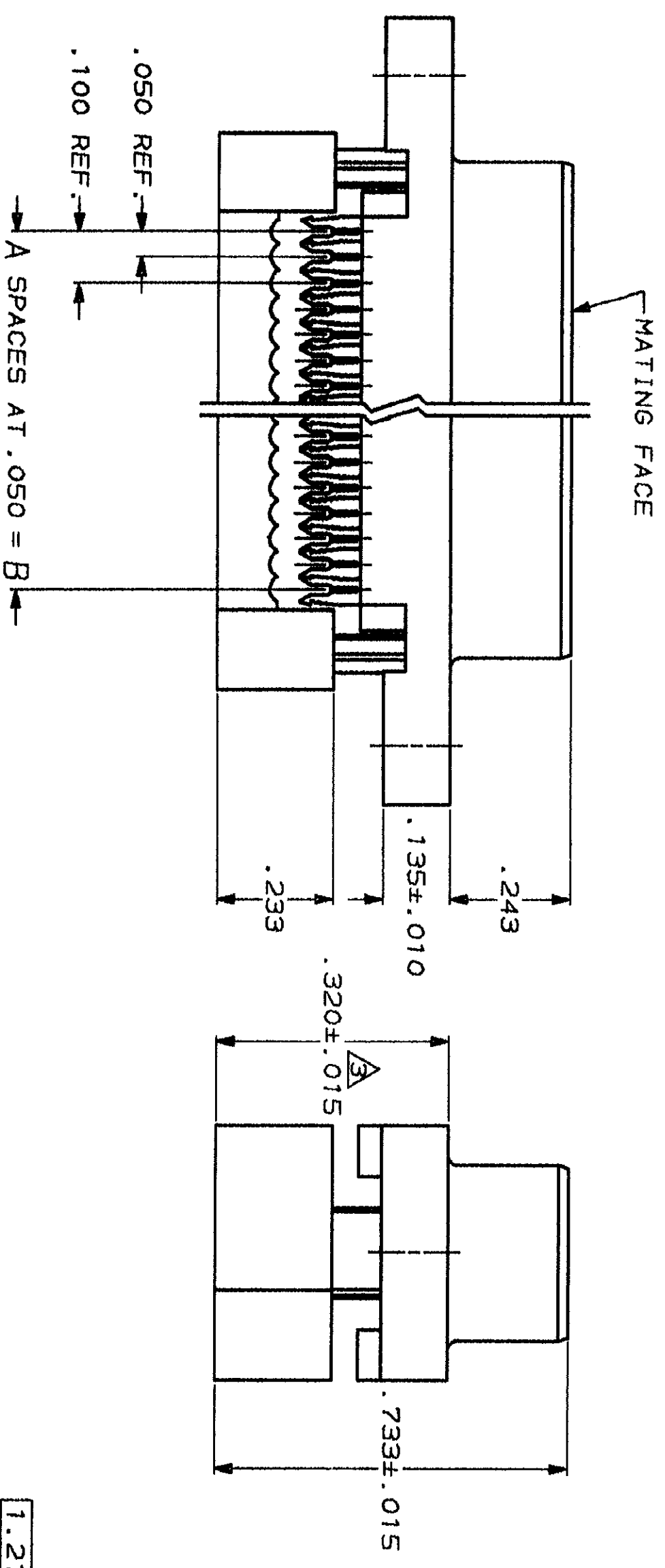
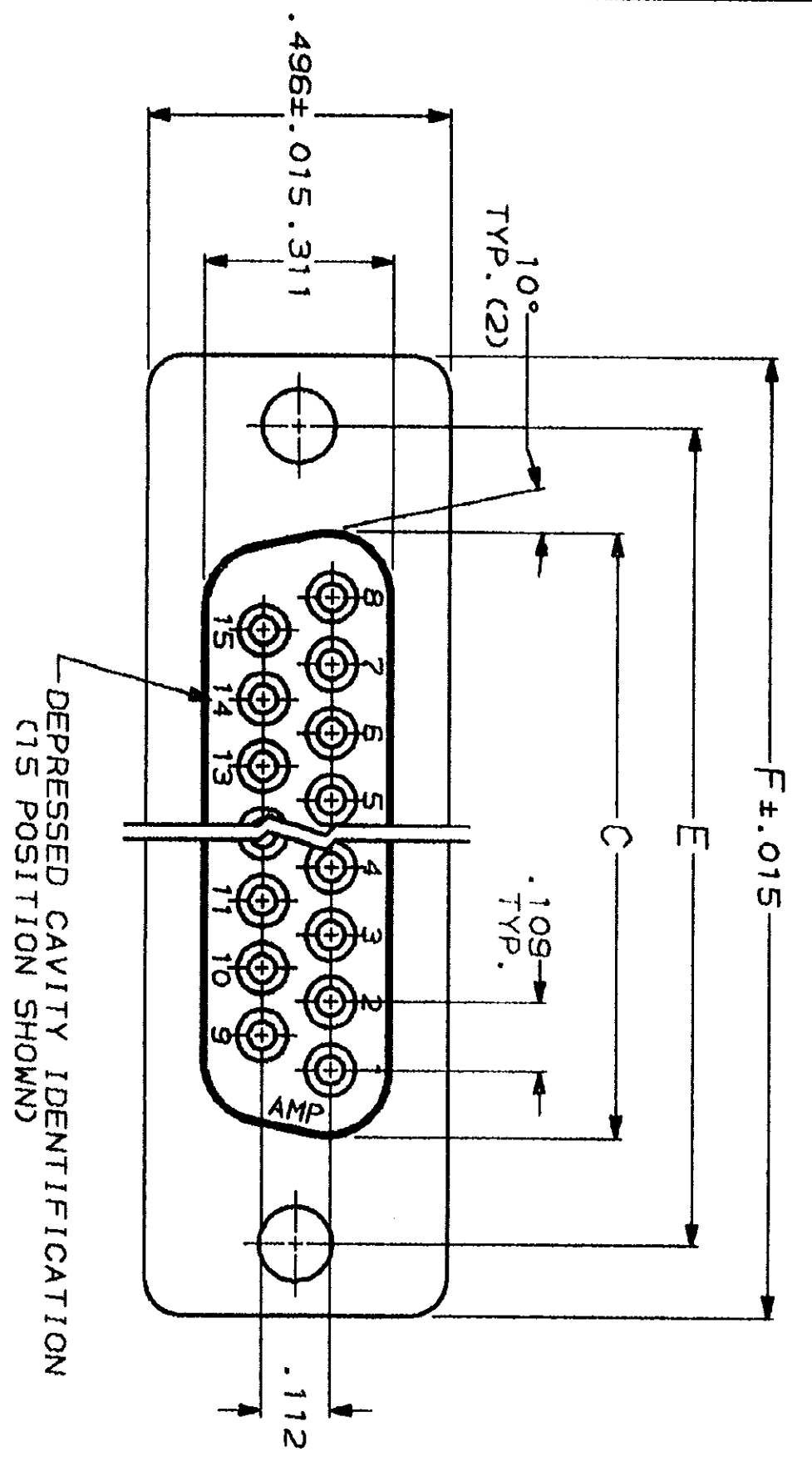




THE DATASHEET OF
747318-4



DRAWING MADE IN THIRD ANGLE PROJECTION
 THIS DRAWING IS UNPUBLISHED. RELEASED FOR PUBLICATION
 © COPYRIGHT 19 BY AMP INCORPORATED HARRISBURG, PA. ALL INTERNATIONAL RIGHTS RESERVED. AMP PRODUCTS MAY BE COVERED BY U.S. AND FOREIGN PATENTS AND/OR PATENTS PENDING.



- CONNECTORS COMPLY WITH AMP SPEC. 108-40, 012 AND MATE WITH ANY SAME NUMBER POSITION PLUG CONNECTOR IN AMPLIMITE SERIES.
- CONNECTOR DESIGNED FOR 28 AND 26 AWG STRANDED AND SOLID CONDUCTOR RIBBON CABLE ON .050 ϕ .
- DIMENSION APPLIES TO TERMINATED CONNECTOR.
- MOLDED PARTS: FLAME RETARDANT 94V-0 RATED THERMOPLASTIC; COLOR: BLACK.
- PHOS. BRONZE PER QQ-B-750.
- GOLD PLATING PER MIL-G-45204, BRIGHT TIN PLATING PER MIL-T-10727, TIN LEAD PLATING PER MIL-P-81728, NICKEL PLATING PER QQ-N-290.
- PLATED WITH .00030 GOLD IN LOCALIZED GOLD PLATE AREA, .000100-.000200 BRIGHT TIN LEAD ON TERMINATION END, ALL OVER .000050 NICKEL ON ENTIRE CONTACT.

REVOLUTIONS		DATE	APPROVED
P	F	ZONE	LTR
		0	RELEASED
		0	REVISED
		A	REVISED
		B	REV PER ECN
		C	REV PER ECN

F	E	D	C	B	A	NO. OF POS.	PART NUMBER
1.216	.984	.759	.643	.400	8	9	747318-4
1.541	1.312	1.087	.971	.700	14	15	747318-3
2.090	1.852	1.623	1.511	1.200	24	25	747318-2
2.732	2.500	2.275	2.159	1.800	36	37	747318-1

UNLESS OTHERWISE SPECIFIED DIMENSIONS ARE IN INCHES. TOLERANCES ON DECIMALS ± .005 ANGLES ± 2°

MATERIAL MOLDED PARTS: Δ

FINISH CONTACTS: Δ

CONTRACT NO. DR J. GERACE 9-15-83

CHK J. GERACE 9-15-83

APPD D. HOFFMAN 9-23-83

APPD T. LYZINSKI 9-29-83

NAME RECEPTACLE ASSEMBLY, LOW PROFILE HDF, W/ PREASSEMBLED COVER

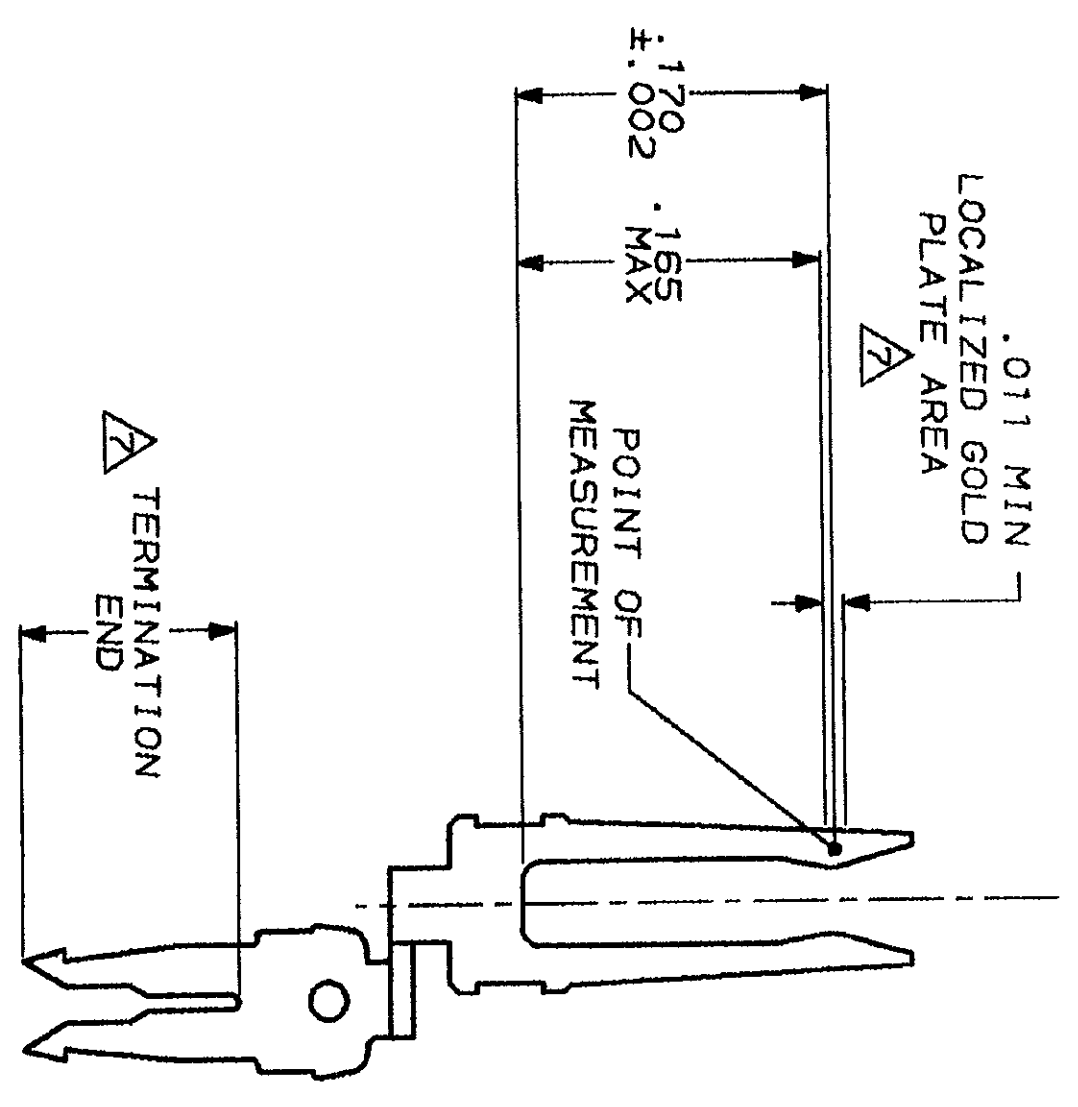
AMP INCORPORATED Harrisburg, Pa.

SIZE FSCM NO 00779 DRAWING NO 747318

SCALE NTS SHEET 1 OF 2

DRAWING MADE IN THIRD ANGLE PROJECTION
 THIS DRAWING IS UNPUBLISHED. RELEASED FOR PUBLICATION
 BY AMP INCORPORATED. ALL INTERNATIONAL RIGHTS RESERVED.
 © COPYRIGHT 19

MOD	DOC	Q15T	REVISIONS	
20	BD	39	DESCRIPTION	DATE
			SEE SHEET 1	



CONTACT DETAIL
 SCALE 10:1

DO NOT SCALE PRINT. UNLESS SPECIFIED DIMENSIONS IN INCHES TOLERANCES ON : 2 PLC DEC # .005 3 PLC DEC # .005 ANGLES # 2° MATERIAL -		DR 11-3-87 M. EPLER CHK 11-4-87 W. G. LENKER APPD - APPD - PRODUCT SPEC -	NAME RECEPTACLE ASSEMBLY, LOW PROFILE HDF, W/ PREASSEMBLED COVER	AMP INCORPORATED 16501 E. WASHINGTON AVE. CHICAGO, ILL. 60648	PART NO 747318
FINISH -	APPLICATION SPEC -	WEIGHT -	SIZE C FSCM NO 00779 SCALE N1'S	DRAWING NO 747318	SHEET 2 OF 2

CUSTOMER DRAWING

AMP 1471-4 REV 3-87
 20 SEP 1990 09:48:36 AMP10855

Looking for pricing, stock, or lifecycle information?

Click below to explore more details on WIN SOURCE:

[View 747318-4 on WIN SOURCE](#)

[TE Connectivity Information](#)

Optimize Your Supply Chain with WIN SOURCE Solutions

- ✓ Global Sourcing Solution
- ✓ Obsolete Management
- ✓ Cost Control Management
- ✓ Shortage Management
- ✓ Alternative Solution
- ✓ Excess Inventory Management