

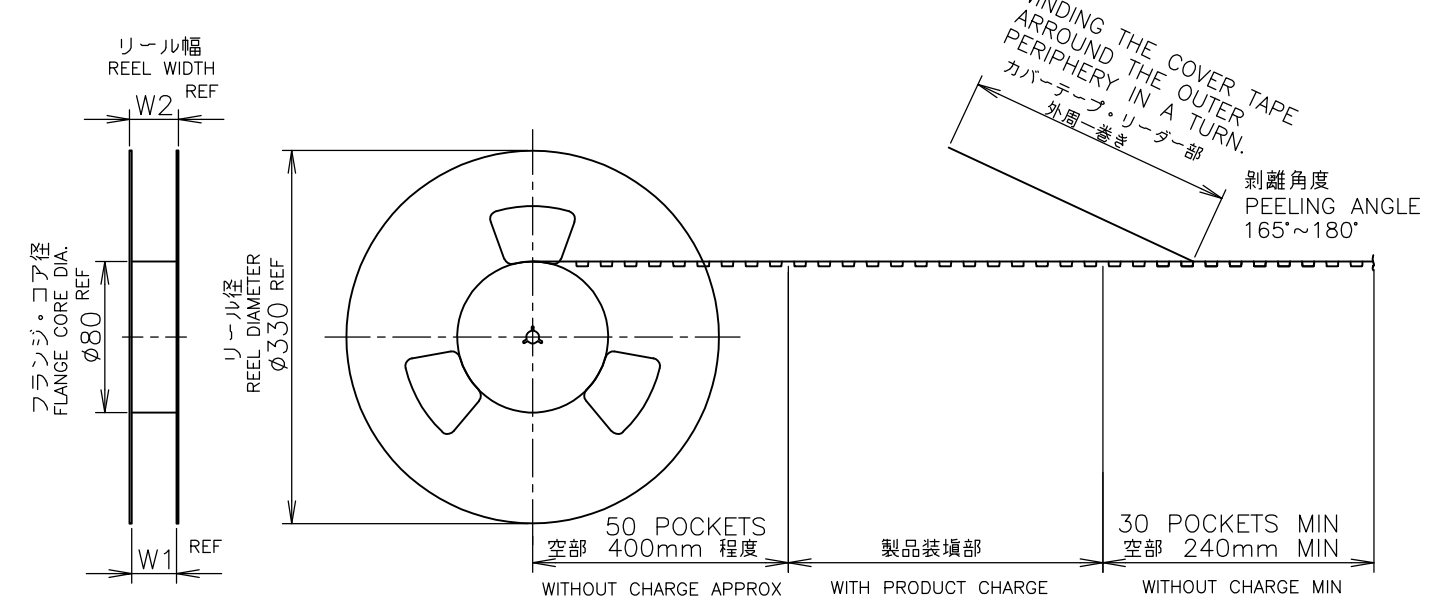
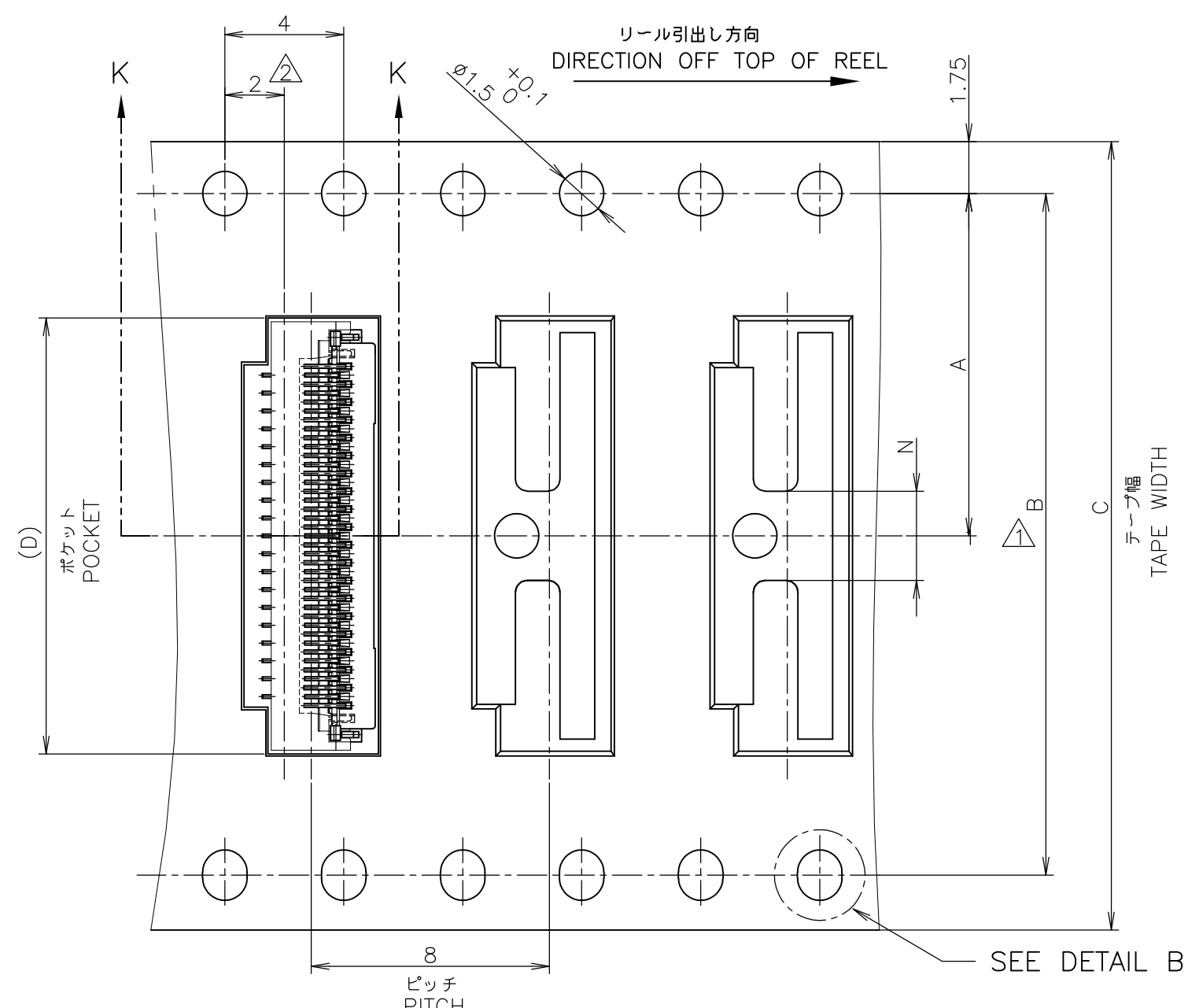


THE DATASHEET OF
1746237-7



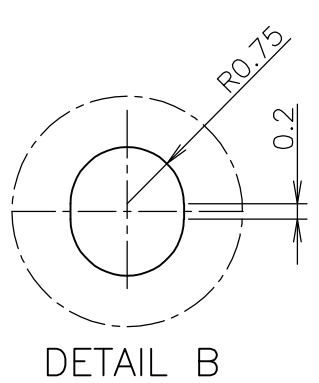
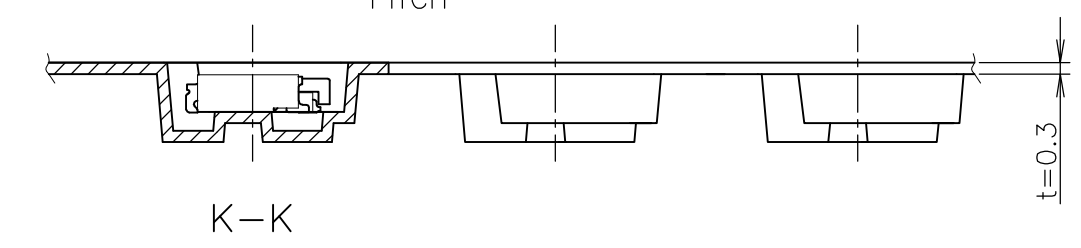
THIS DRAWING IS UNPUBLISHED. RELEASED FOR PUBLICATION MAR , 2004.
 © COPYRIGHT 2004 BY TYCO ELECTRONICS CORPORATION. ALL RIGHTS RESERVED.

LOC	DIST	REVISIONS					
		P	LTR	DESCRIPTION	DATE	DWN	APVD
J	/	C		REVISED ECR-07-029671	10DEC07	T.T	T.K



△ B寸法はテープ幅 32mm 以上に適用
 △ コンネクタ吸着面のセンターライン

△ DIM. B APPLIED
 TAPE WIDE, 32mm MORE.
 △ CENTER LINE OF CONNECTOR
 ADSORPTION SURFACE.



THIS DRAWING IS A CONTROLLED DOCUMENT.		DWN	Y.SHINO	11NOV05	Tyco Electronics AMP K.K. Kawasaki, Japan			
DIMENSIONS: 単位: 耗 mm		CHK	M.IWASAKI	11NOV05	NAME 名称			
TOLERANCES UNLESS OTHERWISE SPECIFIED: 一般公差		APVD	T.KUSUHARA	11NOV05	0.3mm FPC CONNECTOR FLIP LOCK TYPE, HEIGHT 1.0mm GOLD PLATE VERSION			
0 PLC ± 0.3 1 PLC ± 0.3 2 PLC ± 0.3 3 PLC ± 0.3 4 PLC ± 0.3 ANGLES ± 5'		PRODUCT SPEC 製品規格		108-5944		RESTRICTED TO		
MATERIAL 材料		APPLICATION SPEC 取付適用規格		WEIGHT		SIZE	CAGE CODE	DRAWING NO 番号
FINISH 仕上		CUSTOMER DRAWING		A3		00779	G-1746237	
		SCALE 尺度		NTS		SHEET	1 OF 3	
						REV		C

Looking for pricing, stock, or lifecycle information?

Click below to explore more details on WIN SOURCE:

 [View 1746237-7](#) on WIN SOURCE

 [TE Connectivity](#) Information

Optimize Your Supply Chain with WIN SOURCE Solutions

-  Global Sourcing Solution
-  Obsolete Management
-  Cost Control Management
-  Shortage Management
-  Alternative Solution
-  Excess Inventory Management