



THE DATASHEET OF
2-353046-2



4

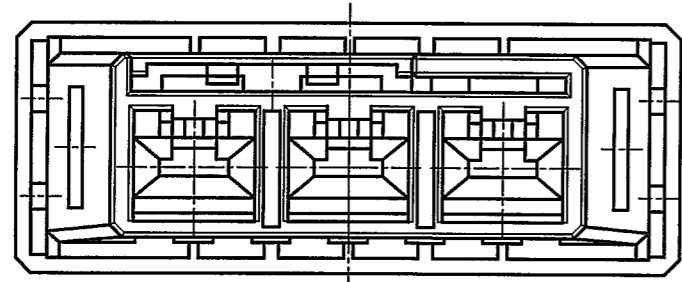
3

2

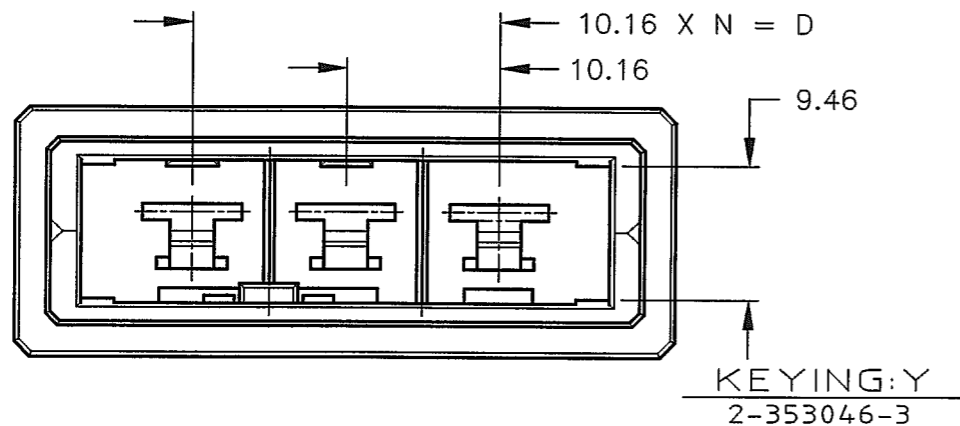
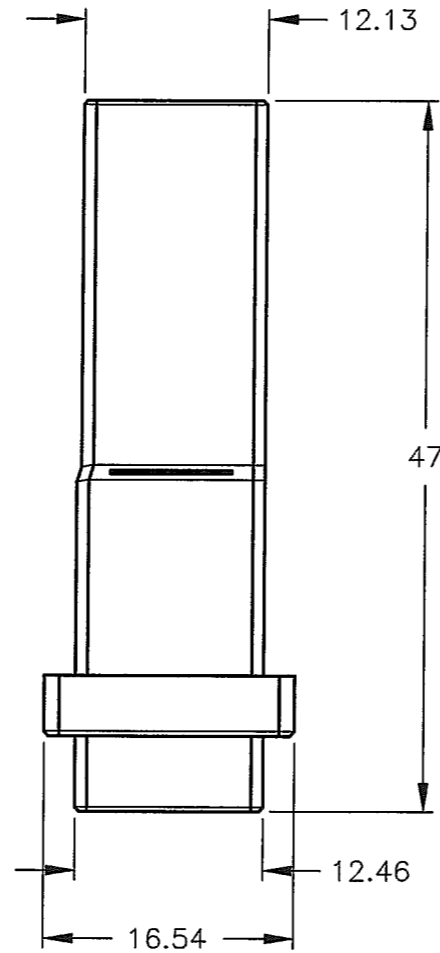
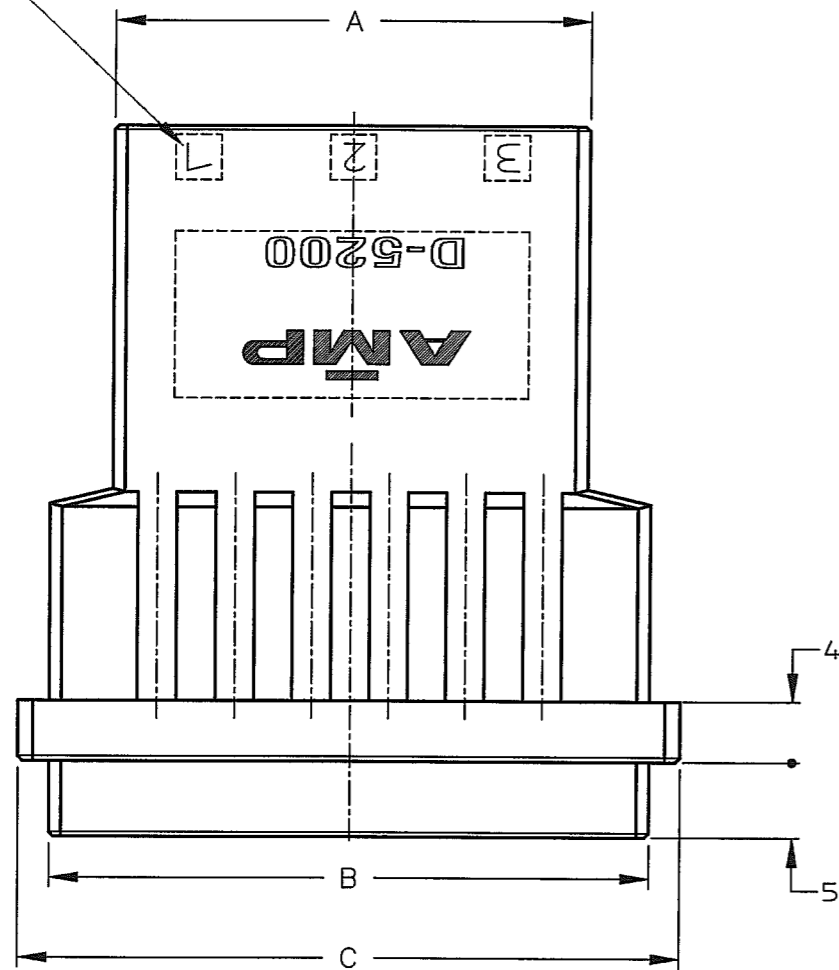
1

THIS DRAWING IS UNPUBLISHED. RELEASED FOR PUBLICATION .1996
 © COPYRIGHT 1996 BY AMP INCORPORATED, ALL RIGHTS RESERVED.

| LOC | DIST | REVISIONS | | | | | | |
|-----|------|-----------|-----|-------------|--------------|------------|-----|------|
| | | P | LTR | DESCRIPTION | ECN | DATE | DWN | APVD |
| J | | 0 | | RELEASED | FJ00-4330-96 | 16/MAY '96 | K.I | Y.I |
| | | A | | REVISED | FJ00-5532-96 | 7/JAN '97 | K.I | Y.I |
| | | B | | REVISED | FJ00-0246-97 | 18/FEB '97 | K.I | Y.I |
| | | C | | REVISED | FJ00-1335-97 | 18/FEB '97 | K.I | I.H |
| | | D | | REVISED | FJD0-0108-04 | 29/MAR '04 | T.S | D.M |



CIRCUIT NO.
回路番号

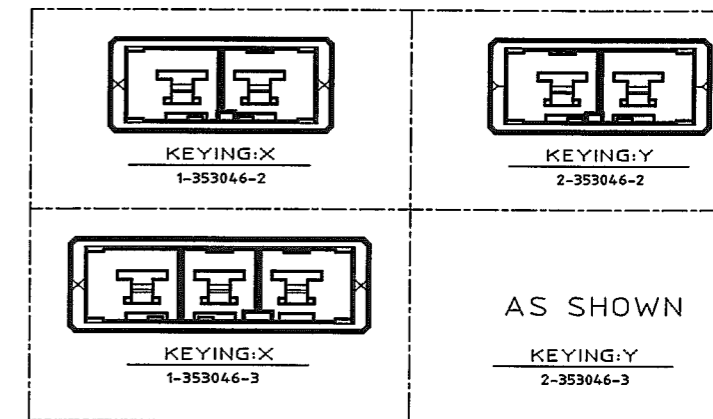


注記

△ 材料:ハウジング:ガラス入り熱可塑性
 ポリエステル樹脂 (94V-0),色:黒

NOTES

△ MATERIAL:HOUSING:GLASS FILED THERMO PLASTIC
 ,POLYESTER(94-V-0),COLOR:BLACK



| | | | | | | | |
|-------|-------|-------|-------|---|-----|--|------------|
| | | | | | | | 2-353046-3 |
| 31.27 | 39.52 | 43.6 | 20.32 | 2 | 3 | | 1-353046-3 |
| | | | | | | | 2-353046-2 |
| 21.11 | 29.36 | 33.44 | 10.16 | 1 | 2 | | 1-353046-2 |
| A | B | C | D | N | POS | | P/N |

| | |
|-----------------------|------------------------|
| WIRE RANGE 適合電線断面積 | INSULATION DIA 線径外径 |
| T1 | T1 |

| | | | |
|--|--|--|--|
| THIS DRAWING IS A CONTROLLED DOCUMENT FOR AMP INCORPORATED. IT IS SUBJECT TO CHANGE AND THE CONTROLLING ENGINEERING ORGANIZATION SHOULD BE CONTACTED FOR THE LASTEST REVISION. | | DWN K.IKEDA 16/MAY/'96 | Tyco Electronics AMP K.K. Kawasaki, Japan |
| DIMENSIONS: 単位 番 mm | | CHK Y.Ishikawa 16/MAY/'96 | |
| TOLERANCES UNLESS OTHERWISE SPECIFIED 一般公差 1φ : ±0.2 >10 : ±0.25 3φ : ±0.3 >30 : ±0.3 ANGLE : ±0.3° | | APVD S.Manabe 17/MAY/'96 | |
| MATERIAL 材料 | | PRODUCT SPEC 製品規格 108-5453 | NAME 名称 1列 タブ ハウジング フリーハンギング タイプ SINGLE ROW TAB HSG (FREE HANGING) <DYNAMIC D-5200 S> |
| FINISH 仕上 | | APPLICATION SPEC 取付適用規格 114-5206 | SIZE A3 |
| △ | | WEIGHT T1 | CAGE CODE 00779 |
| | | CUSTOMER DRAWING | DRAWING NO 番号 C-353046 |
| | | | SCALE 尺度 2-1 |
| | | | SHEET 1 OF 1 |
| | | | REV D |

Mouser Electronics

Authorized Distributor

Click to View Pricing, Inventory, Delivery & Lifecycle Information:

[TE Connectivity:](#)

[2-353046-2](#)

Looking for pricing, stock, or lifecycle information?

Click below to explore more details on WIN SOURCE:

 [View 2-353046-2 on WIN SOURCE](#)

 [TE Connectivity](#) Information

Optimize Your Supply Chain with WIN SOURCE Solutions

-  Global Sourcing Solution
-  Obsolete Management
-  Cost Control Management
-  Shortage Management
-  Alternative Solution
-  Excess Inventory Management