

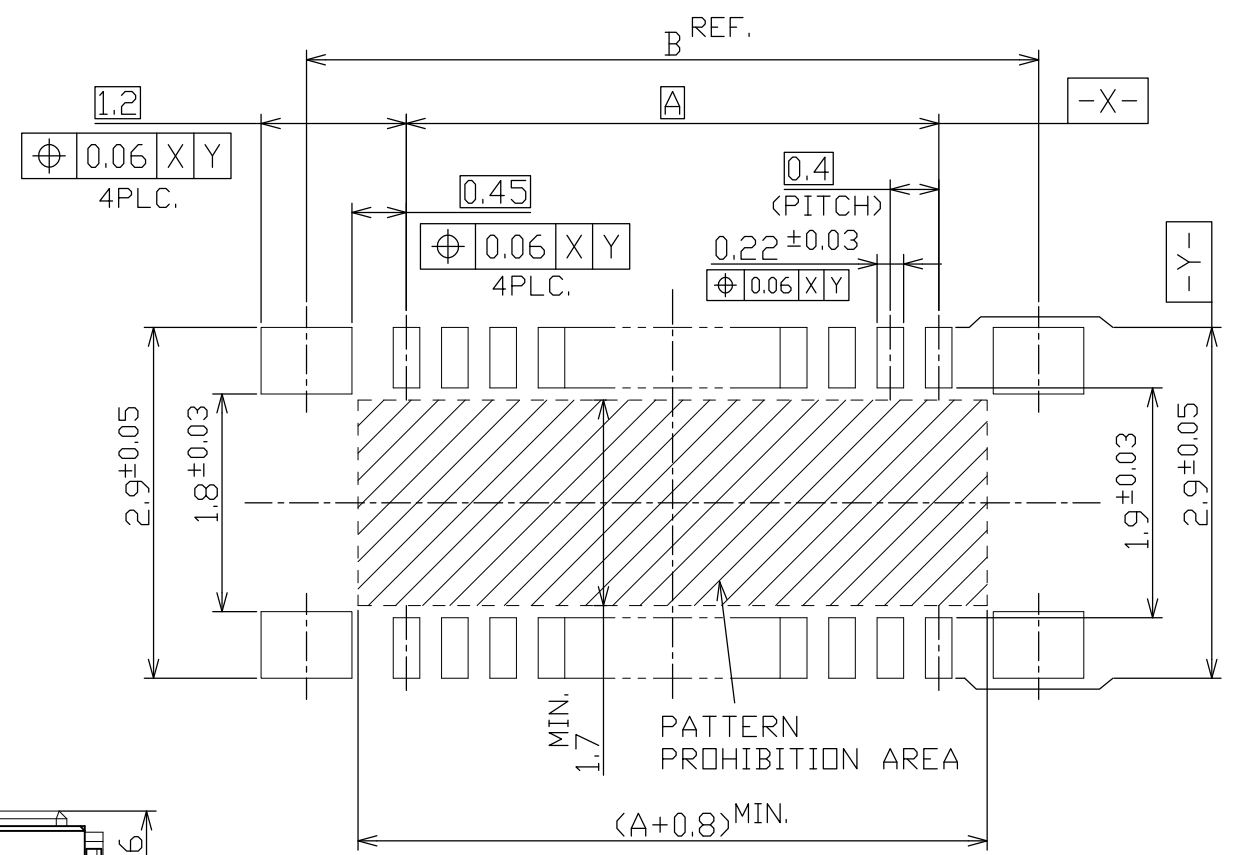
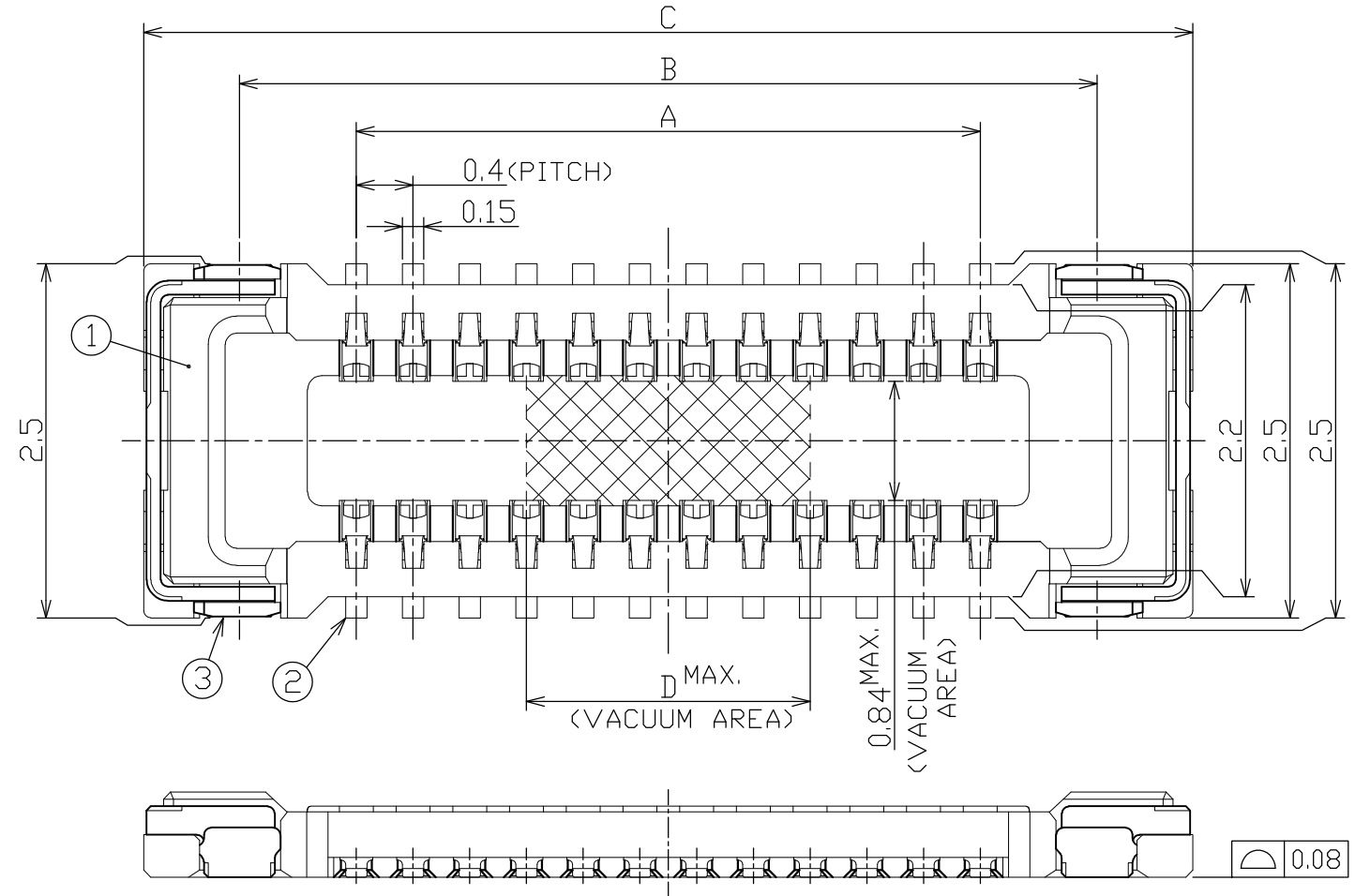


THE DATASHEET OF
2-2822367-4



THIS DRAWING IS UNPUBLISHED. RELEASED FOR PUBLICATION
 © COPYRIGHT - By - ALL RIGHTS RESERVED.

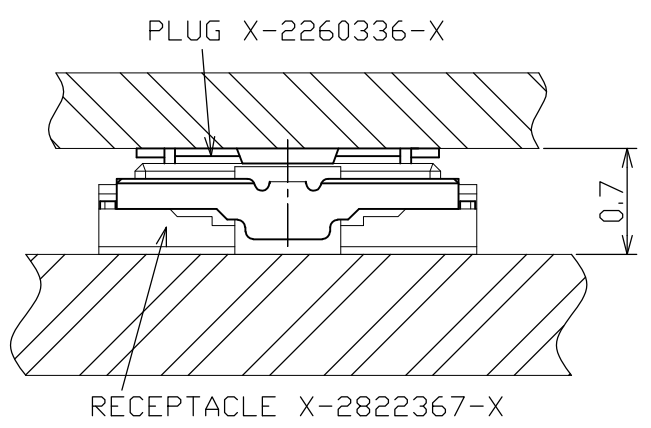
LOC	DIST	REVISIONS					
		P	LTR	DESCRIPTION	DATE	DWN	APVD
J	-	A2	REVISED		01DEC2014	H.F	A.K



REFERENCE PCB LAYOUT
 (VIEW : MOUNTING SIDE)
 (16:1)

- ① MATERIAL REFER TO THE TABLE.
- ② FINISH REFER TO THE TABLE.
- 3. MATING CONNECTOR :

STACK HEIGHT	PART NUMBER	
	PLUG	RECEPTACLE
0.7	*-2260336-*	*-2822367-*



- ④ GENERAL TOLERANCES ±0.1, ±3'
- ⑤ THIS DIMENSION IS THE DISTANCE FROM THE EMBOSS TAPE SURFACE TO CONNECTOR PICK UP & PLACE SURFACE.

5.0	12.6	11.25	9.6	50	5-2822367-0
5.0	10.6	9.25	7.6	40	4-2822367-0
5.0	8.6	7.25	5.6	30	3-2822367-0
2.0	7.4	6.05	4.4	24	2-2822367-4
2.0	4.6	3.25	1.6	10	1-2822367-0
D	C	B	A	Pos.	PART NUMBER

Ni UNDER PL Sn PL.	COPPER ALLOY	REC PEG	③
Ni UNDER PL Au PL.(CONTACT AREA) Au PL.(TINE AREA)	COPPER ALLOY	REC CONTACT	②
	THERMO PLASTIC	REC HOUSING	①
△ FINISH	△ MATERIAL	NAME	ITEM NO.

THIS DRAWING IS A CONTROLLED DOCUMENT.

DWN H.KIKUCHI 11MAR2014
 CHK H.FUKUZAKI 11MAR2014
 APVD A.KUBO 11MAR2014

STE TE Connectivity

0.4mm PITCH STACKING CONNECTOR RECEPTACLE ASSEMBLY SCALABLE HEIGHT

NAME

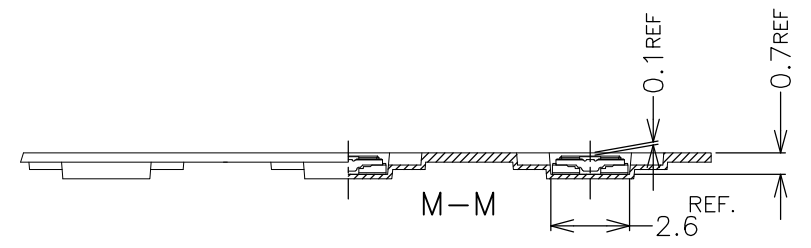
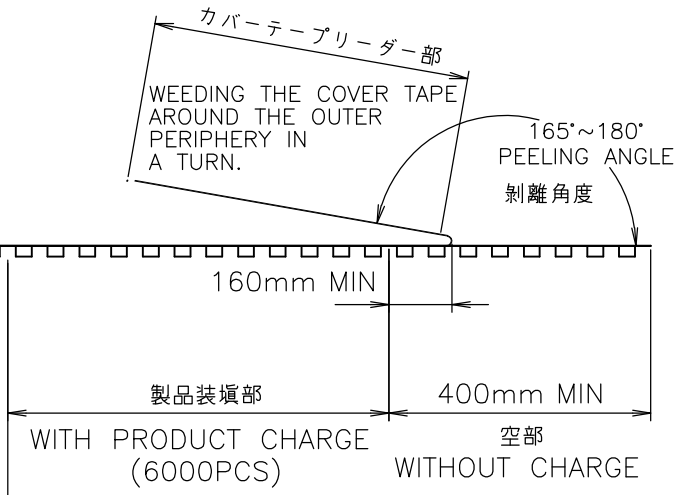
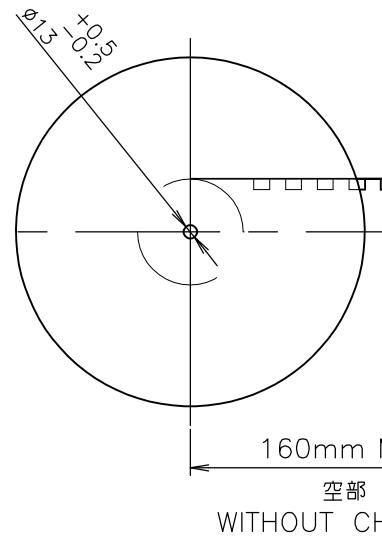
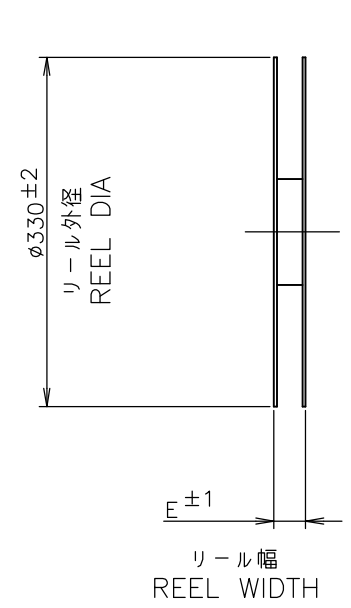
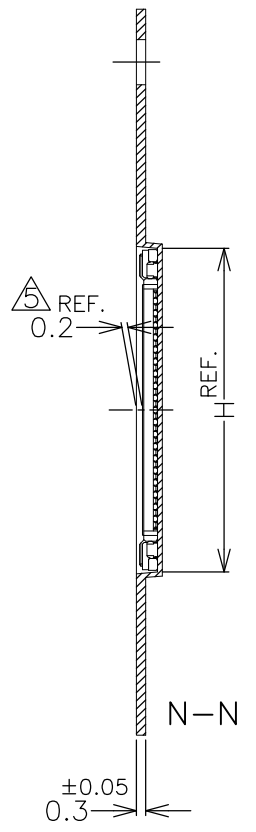
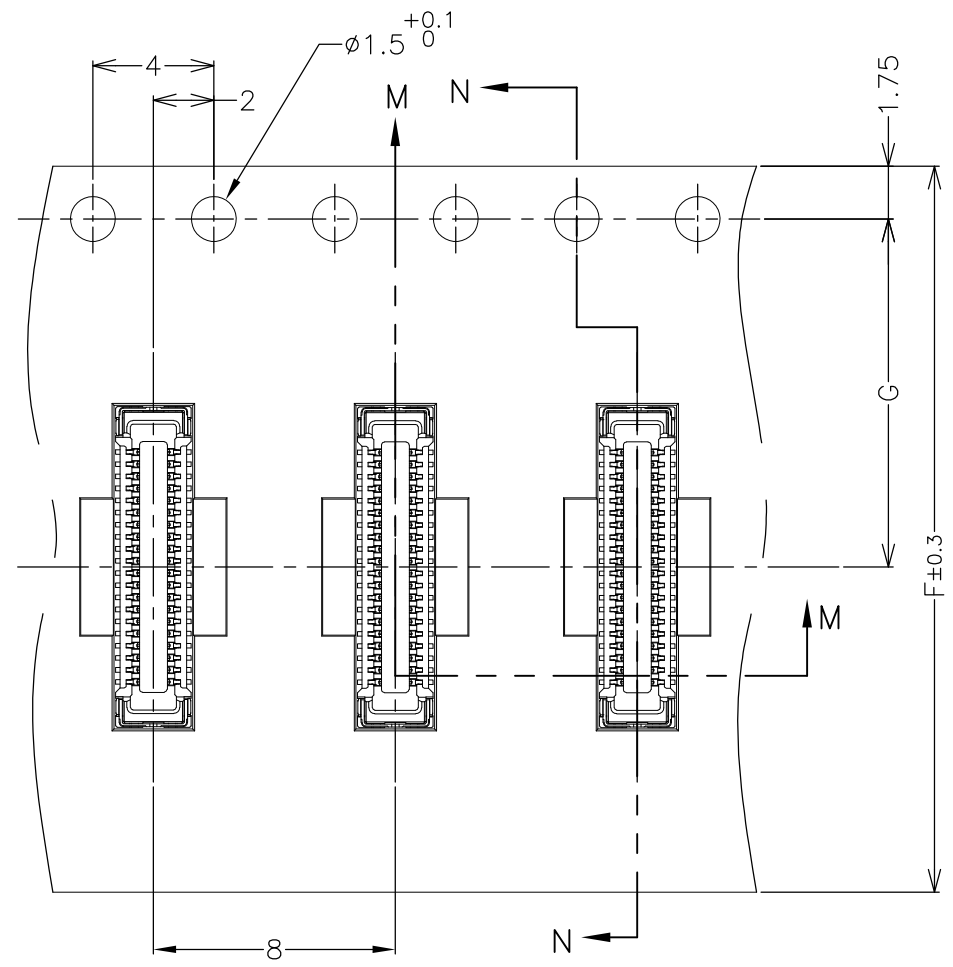
SIZE A3 CAGE CODE 00779 DRAWING NO C-2822367 RESTRICTED TO -

WEIGHT

CUSTOMER DRAWING SCALE 20:1 SHEET 1 OF 2 REV A2

THIS DRAWING IS UNPUBLISHED. RELEASED FOR PUBLICATION
 © COPYRIGHT - By - ALL RIGHTS RESERVED.

LOC	DIST	REVISIONS					
		P	LTR	DESCRIPTION	DATE	DWN	APVD
J	-	-	-	SEE SHEET 1	-	-	-



12.7	11.5	24.0	29.4	50
10.7	11.5	24.0	29.4	40
8.7	7.5	16.0	21.4	30
7.5	7.5	16.0	21.4	24
4.7	5.5	12.0	17.4	10
H	G	F	E	Pos.

DIMENSIONS

THIS DRAWING IS A CONTROLLED DOCUMENT.		DWN	STE TE Connectivity		
DIMENSIONS: mm		CHK			
TOLERANCES UNLESS OTHERWISE SPECIFIED:		APVD	NAME		
0 PLC ±/△		PRODUCT SPEC	0.4mm PITCH STACKING CONNECTOR RECEPTACLE ASSEMBLY SCALABLE HEIGHT		
1 PLC ±/△		APPLICATION SPEC	SIZE	CAGE CODE	DRAWING NO
2 PLC ±/△		WEIGHT	A3	00779	C-2822367
3 PLC ±/△		CUSTOMER DRAWING	SCALE	SHEET	REV
4 PLC ±/△			NTS	2 OF 2	A2
ANGLES ±					
FINISH △					

Looking for pricing, stock, or lifecycle information?

Click below to explore more details on WIN SOURCE:

 [View 2-2822367-4 on WIN SOURCE](#)

 [TE Connectivity](#) Information

Optimize Your Supply Chain with WIN SOURCE Solutions

-  Global Sourcing Solution
-  Obsolete Management
-  Cost Control Management
-  Shortage Management
-  Alternative Solution
-  Excess Inventory Management