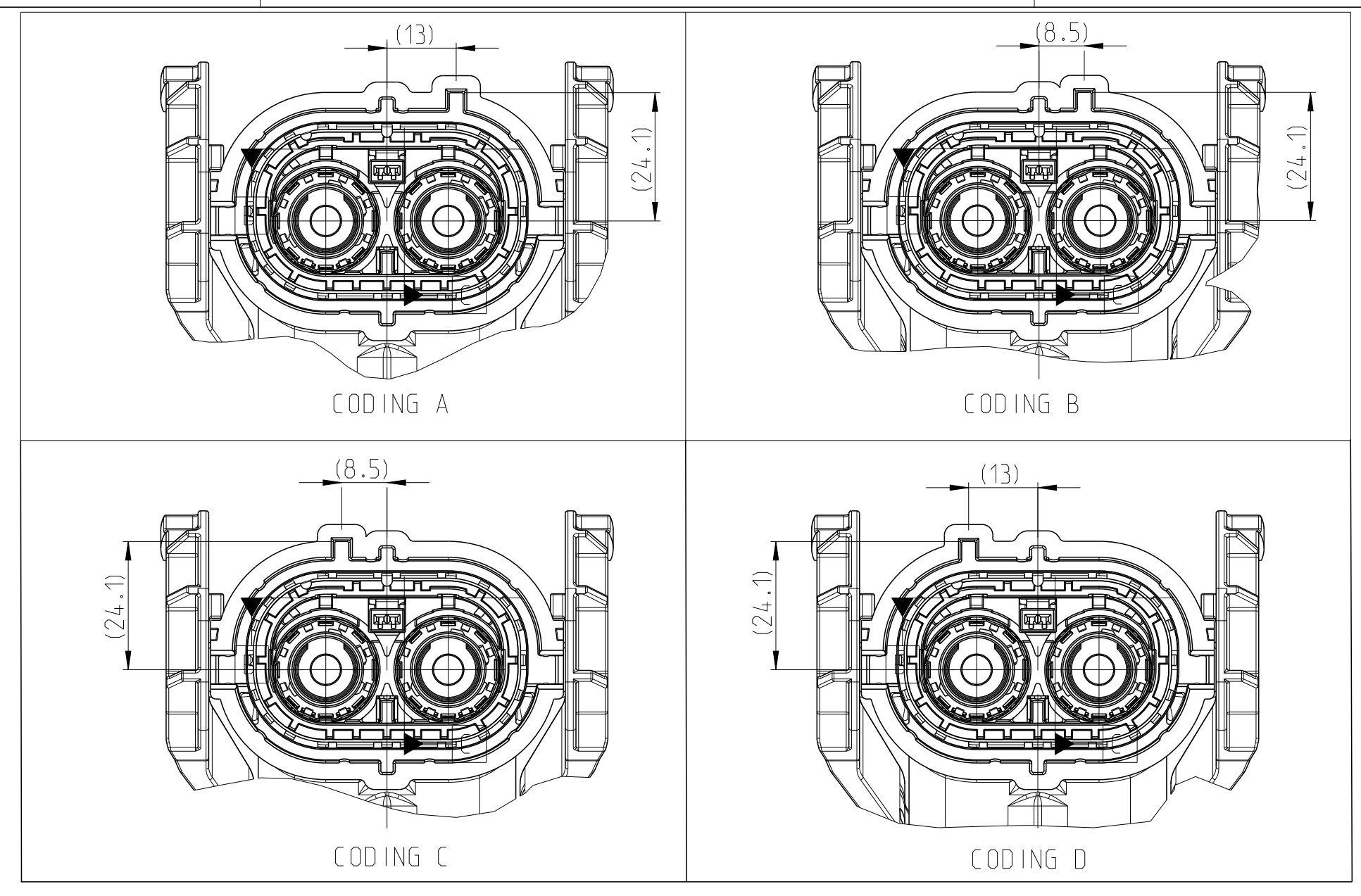
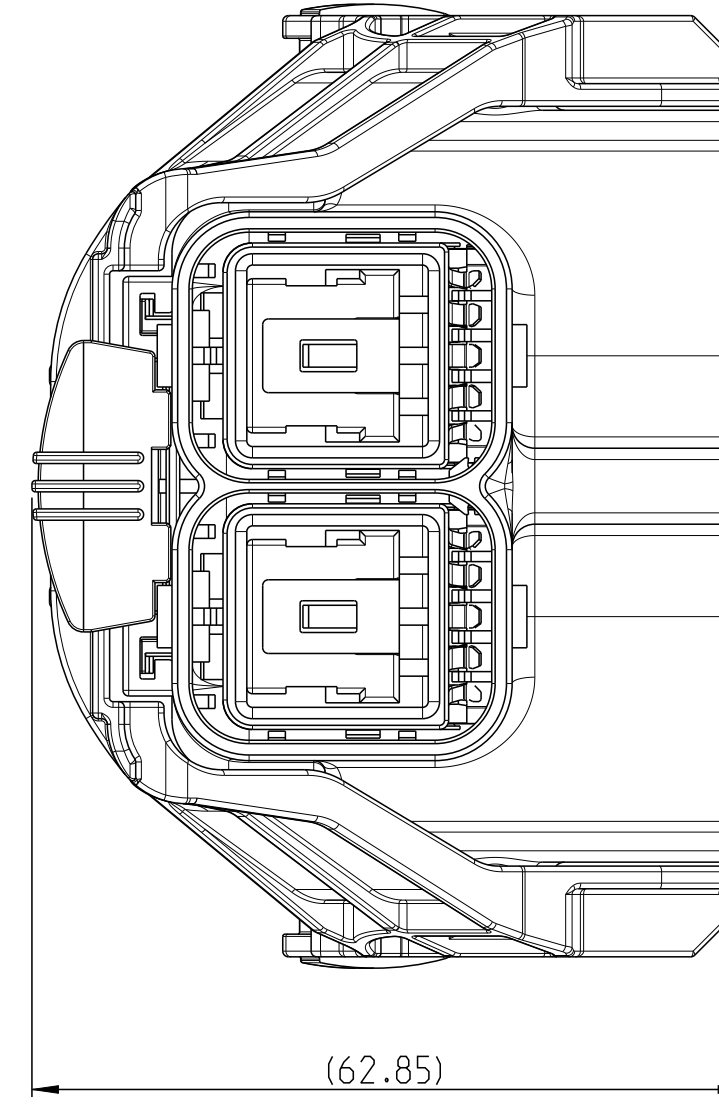
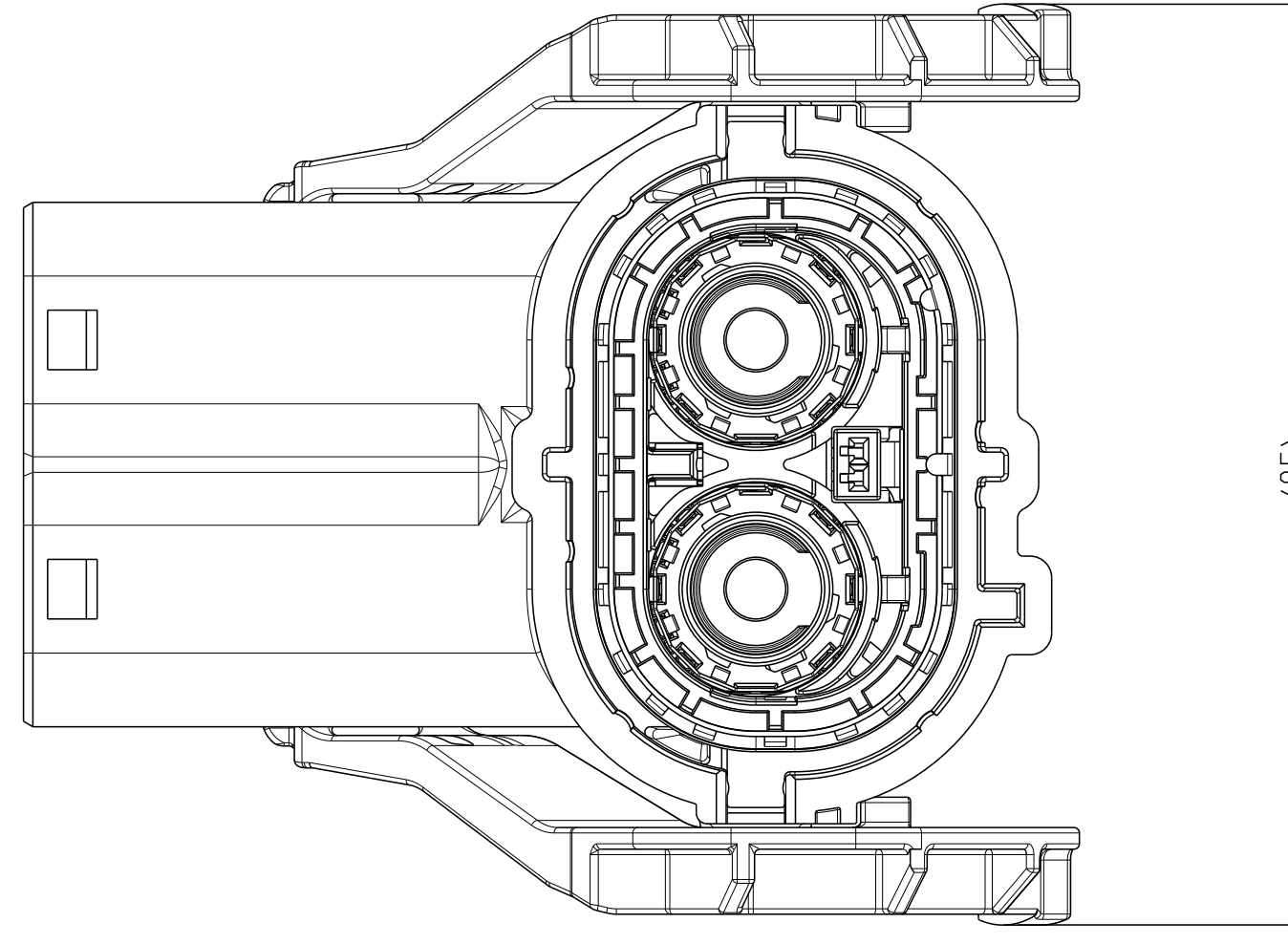


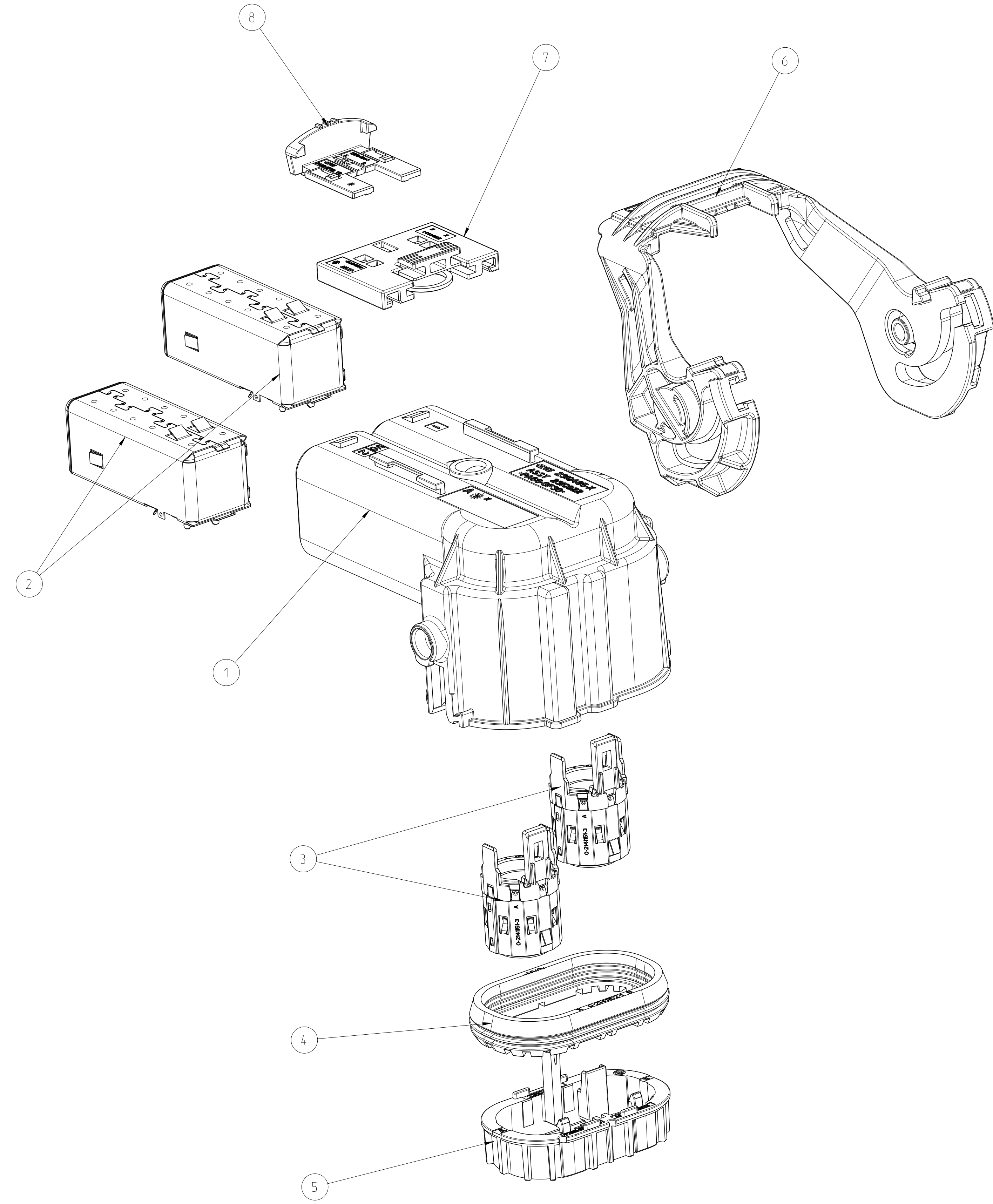
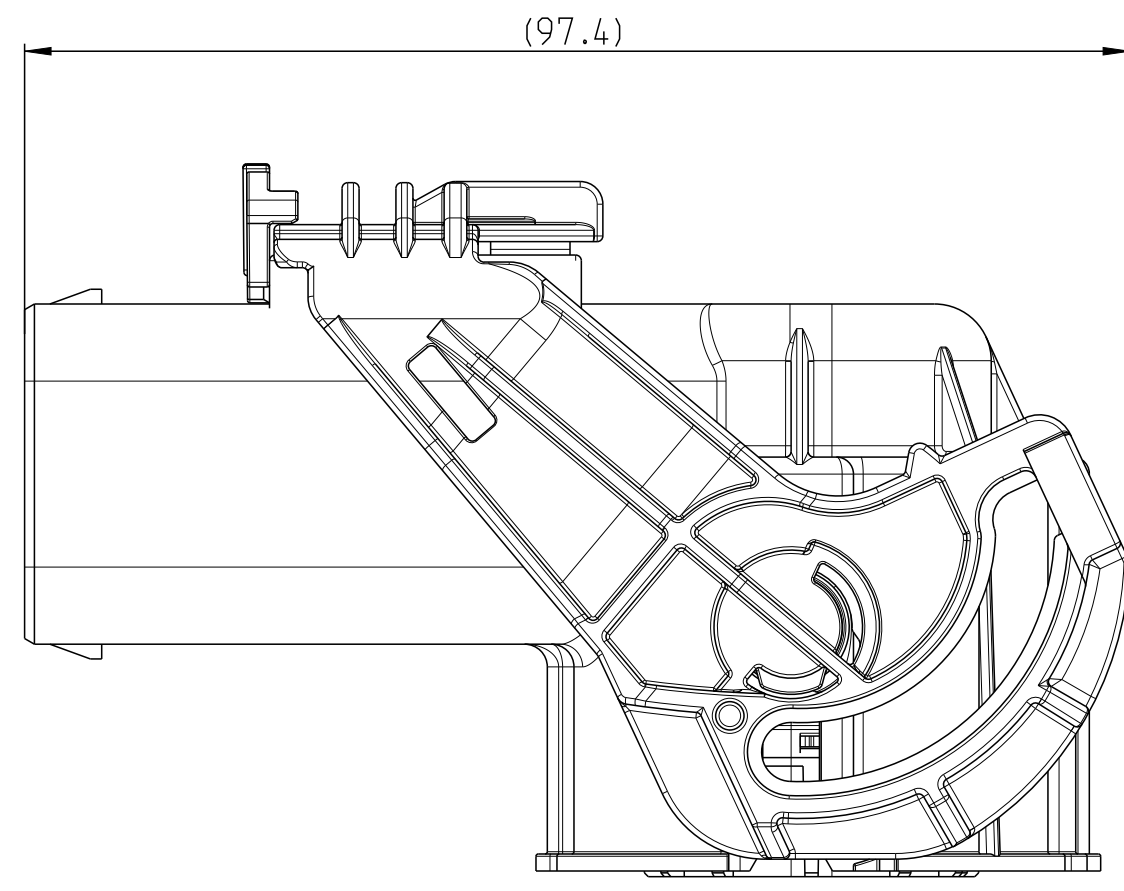


THE DATASHEET OF
2-2310922-1





CODINGS



REVISIONS				
P	LTN	DESCRIPTION	DATE	APPD
B		REVISED ECR-18-012813	12.AUG.19	JL EJ
B1		REVISED ECR-19-000597	14.JAN.19	SK EJ
B2		REVISED ECR-19-006021	16.APR.19	ZZ EJ
B3		REVISED ECR-2021-01-09800-E	12.JAN.21	FS EJ

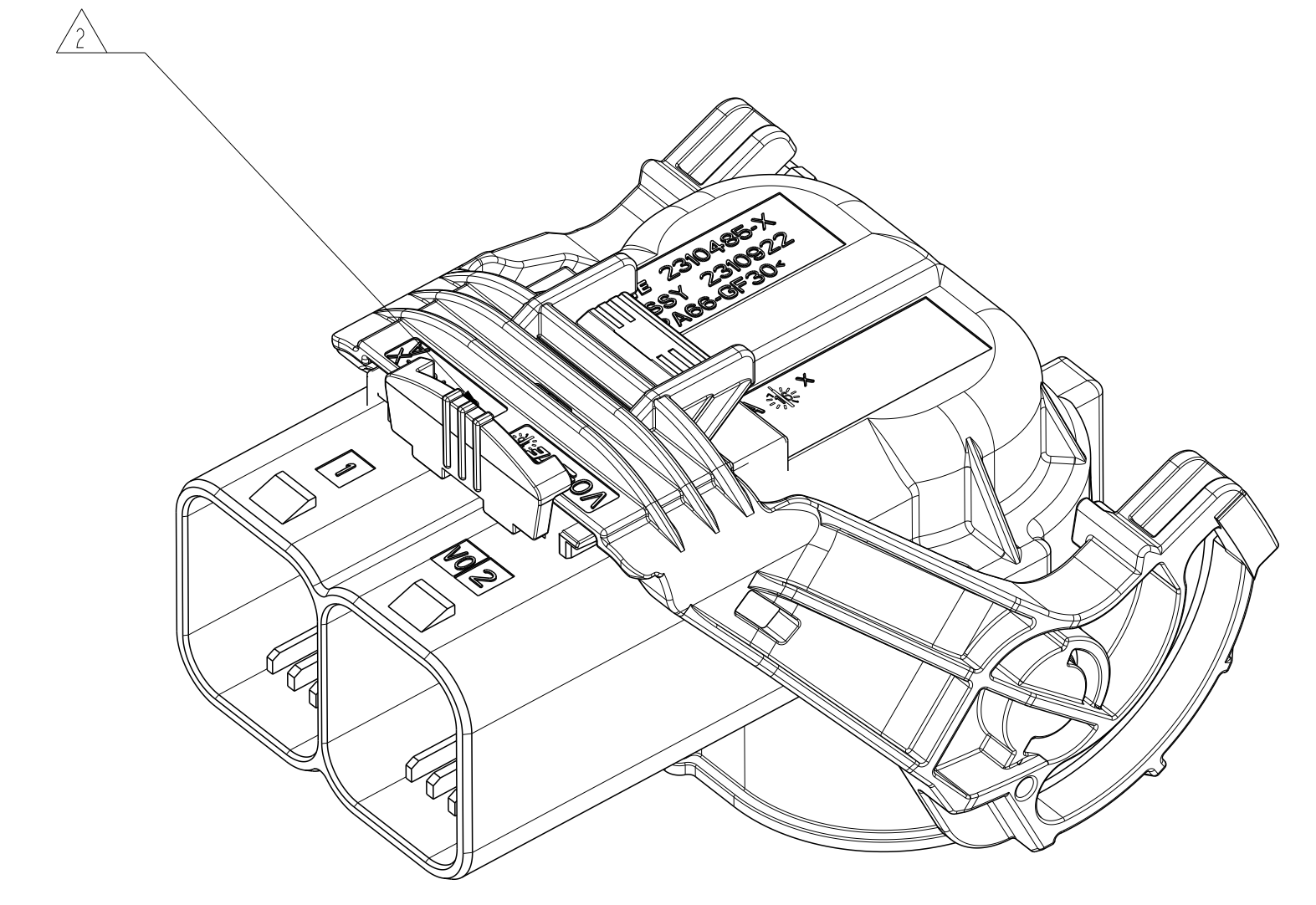
NOTES

△ SHIELDING INFORMATION AND FIRE RETARTANT CLASS FOR PLASTIC PART SEE TABLE BELOW

P/N	SHIELDING INFORMATION	FIRE RETARTANT CLASS OF PLASTIC MATERIAL	REFERENCE DRAWING/P/N FOR MISSING DIMENSION
2310922-1	COPPER ALLOY AG PLATING (Tmax 140°C)	VO	214.1154(1)-214.1154-1)
2310922-2			214.1154(1)-214.1154-2)
2310922-3			214.1154(1)-214.1154-3)
2310922-4			214.1154(1)-214.1154-4)
1-2310922-1	COPPER ALLOY PRE-TIN PLATING (Tmax 125°C)	HB	214.1154(1)-214.1154-1)
1-2310922-2			214.1154(1)-214.1154-2)
1-2310922-3			214.1154(1)-214.1154-3)
1-2310922-4			214.1154(1)-214.1154-4)
2-2310922-1			214.1154(1)-214.1154-1)
2-2310922-2			214.1154(1)-214.1154-2)
2-2310922-3			214.1154(1)-214.1154-3)
2-2310922-4			214.1154(1)-214.1154-4)

△ DELIVERY CONDITION: LEVER IN END-LOCKING POSITION, CPA CLOSED

3 PACKAGED IN CORRUGATED SHIPPING BOX



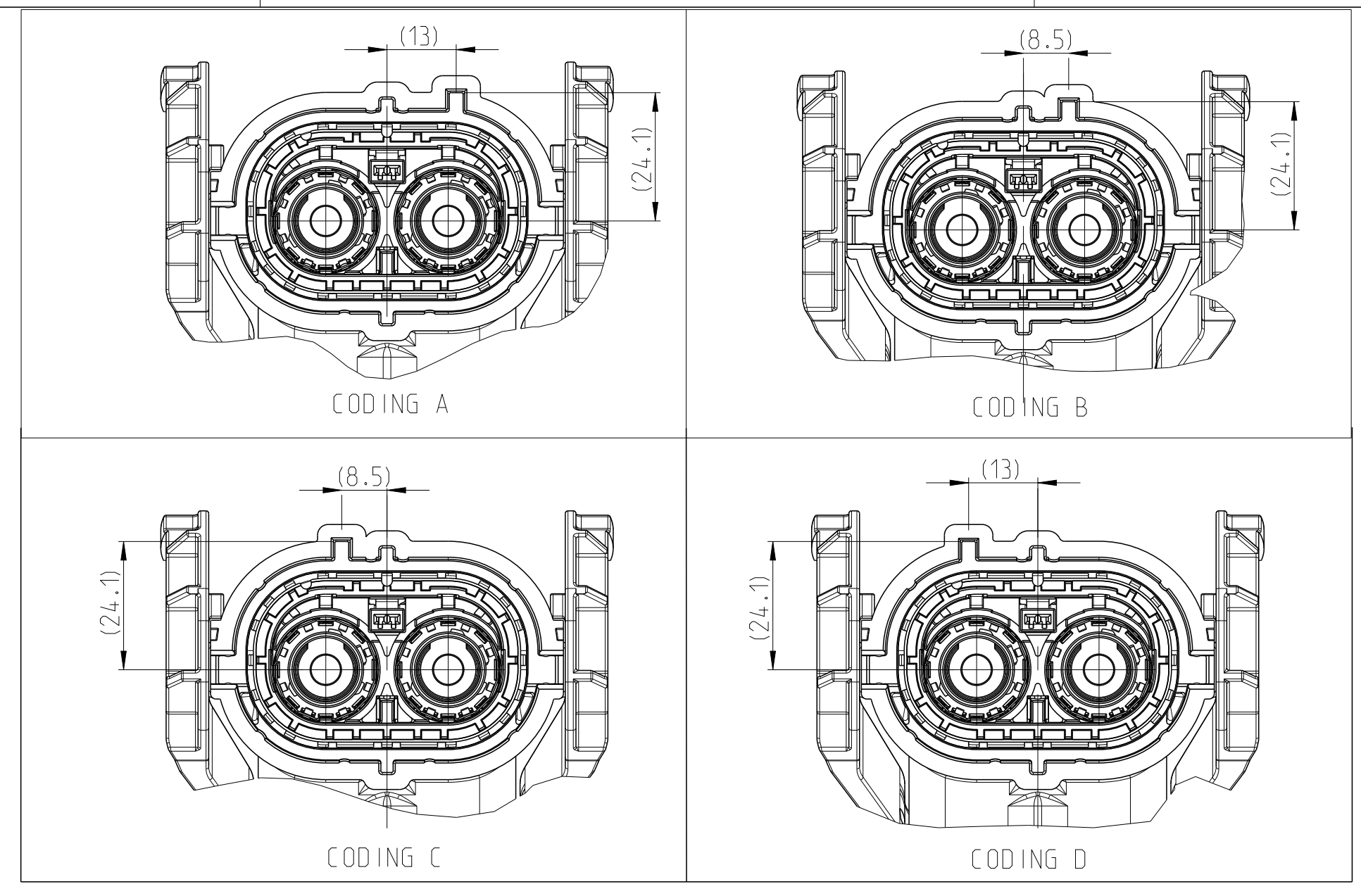
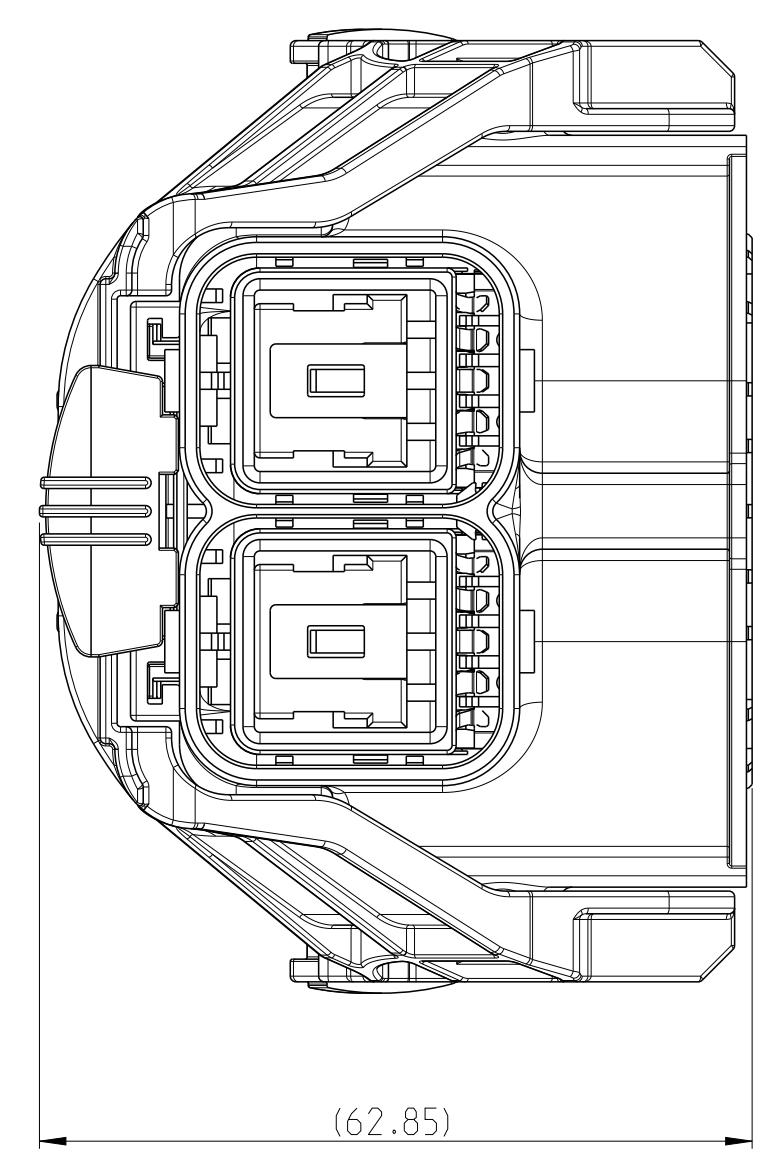
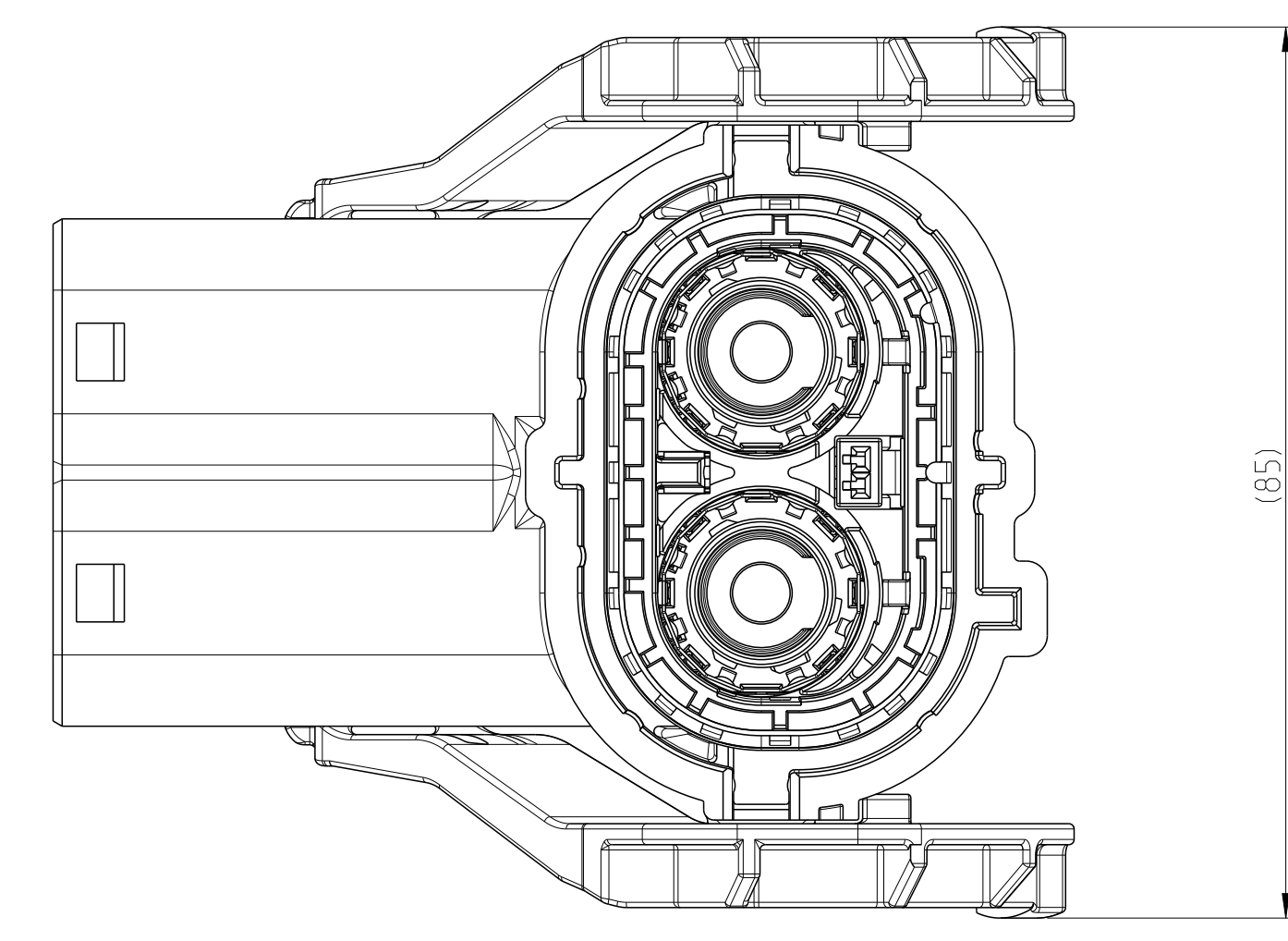
CD	TE ASSY-NO.	ASSY-REV	QTY	DESCRIPTION	MATERIAL	WEIGHT (g)	SURFACE COLOUR	TEM			
D	2310922-4	A	1	CPA	PA66-GF V0 △	RED SIM RAL 3000		8			
			1	ADAPTER	PA66-GF V0 △	DUSTY GRAY SIM RAL 7037		7			
			1	LEVER, 2POS, 90 DEG	PA66-GF V0 △	WHITE SIM RAL 9010 (9001)		6			
			1	2POS, MCON-1.2, REC HSG, 90 DEG, Assy	-	-		5			
			1	RADIAL SEAL	SILICONE RUBBER	WHITE SIM RAL 9010	(14.1.6)	4			
			2	ASSY: ISULATION INSERT - SHIELDING	△	-		3			
			2	ASSY: ISULATION INSERT - SHIELDING	△	-		2			
			1	2POS, 8MM HV, REC HSG, 90 DEG, SEALED	PA66-GF V0 △	ORANGE SIM RAL 2003		1			
			C	2310922-3	A	1	CPA	PA66-GF V0 △	RED SIM RAL 3000		8
						1	ADAPTER	PA66-GF V0 △	DUSTY GRAY SIM RAL 7037		7
1	LEVER, 2POS, 90 DEG	PA66-GF V0 △				BLACK SIM RAL 9005 (9011)		6			
1	2POS, MCON-1.2, REC HSG, 90 DEG, Assy	-				-		5			
1	RADIAL SEAL	SILICONE RUBBER				WHITE SIM RAL 9010	(14.1.6)	4			
2	ASSY: ISULATION INSERT - SHIELDING	△				-		3			
2	ASSY: ISULATION INSERT - SHIELDING	△				-		2			
1	2POS, 8MM HV, REC HSG, 90 DEG, SEALED	PA66-GF V0 △				ORANGE SIM RAL 2003		1			
B	2310922-2	A				1	CPA	PA66-GF V0 △	RED SIM RAL 3000		8
						1	ADAPTER	PA66-GF V0 △	DUSTY GRAY SIM RAL 7037		7
			1	LEVER, 2POS, 90 DEG	PA66-GF V0 △	WHITE SIM RAL 9010 (9001)		6			
			1	2POS, MCON-1.2, REC HSG, 90 DEG, Assy	-	-		5			
			1	RADIAL SEAL	SILICONE RUBBER	WHITE SIM RAL 9010	(14.1.6)	4			
			2	ASSY: ISULATION INSERT - SHIELDING	△	-		3			
			2	ASSY: ISULATION INSERT - SHIELDING	△	-		2			
			1	2POS, 8MM HV, REC HSG, 90 DEG, SEALED	PA66-GF V0 △	ORANGE SIM RAL 2003		1			
			A	2310922-1	A	1	CPA	PA66-GF V0 △	RED SIM RAL 3000		8
						1	ADAPTER	PA66-GF V0 △	DUSTY GRAY SIM RAL 7037		7
1	LEVER, 2POS, 90 DEG	PA66-GF V0 △				BLACK SIM RAL 9005 (9011)		6			
1	2POS, MCON-1.2, REC HSG, 90 DEG, Assy	-				-		5			
1	RADIAL SEAL	SILICONE RUBBER				WHITE SIM RAL 9010	(14.1.6)	4			
2	ASSY: ISULATION INSERT - SHIELDING	△				-		3			
2	ASSY: ISULATION INSERT - SHIELDING	△				-		2			
1	2POS, 8MM HV, REC HSG, 90 DEG, SEALED	PA66-GF V0 △				ORANGE SIM RAL 2003		1			

-1 AS SHOWN

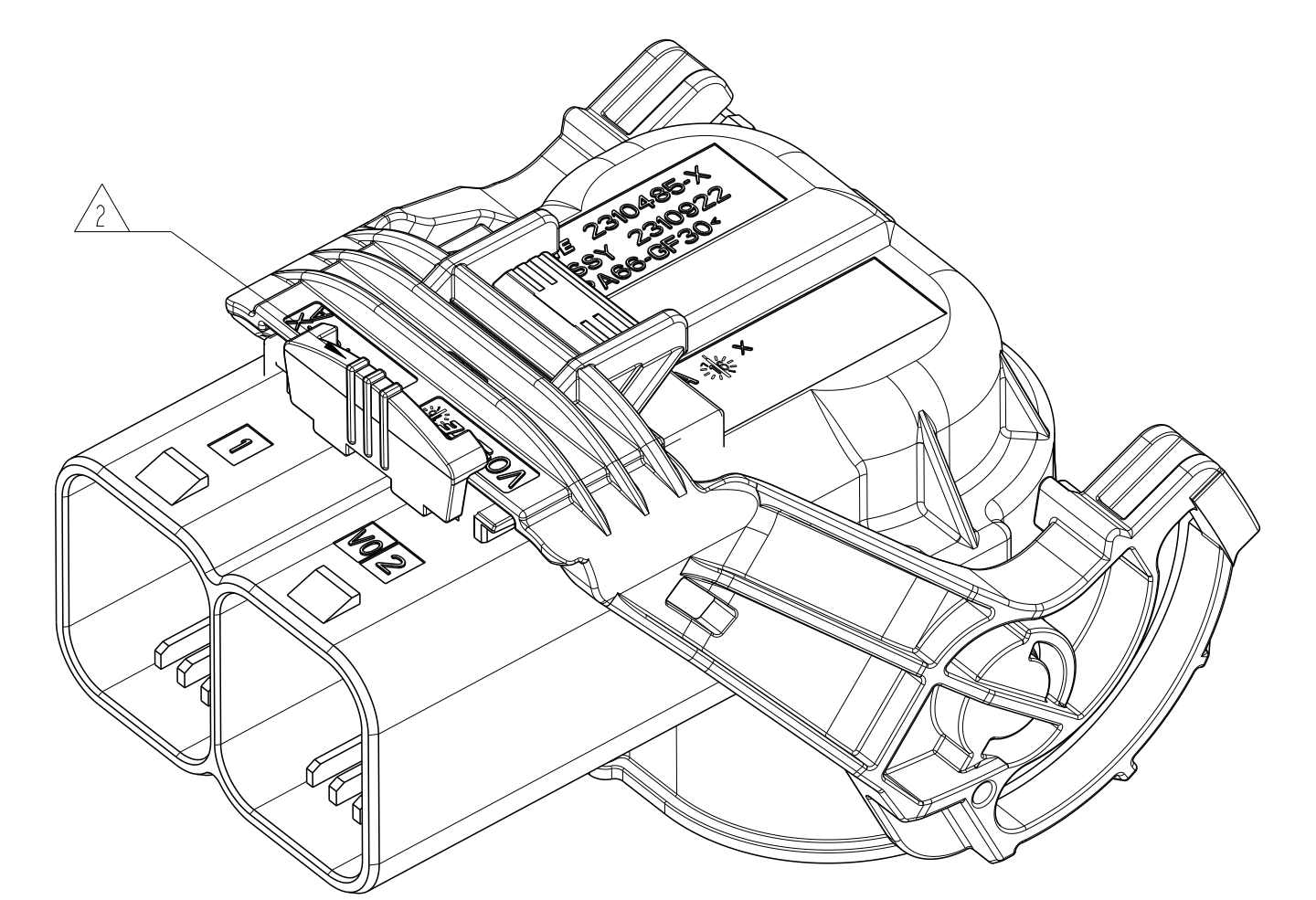
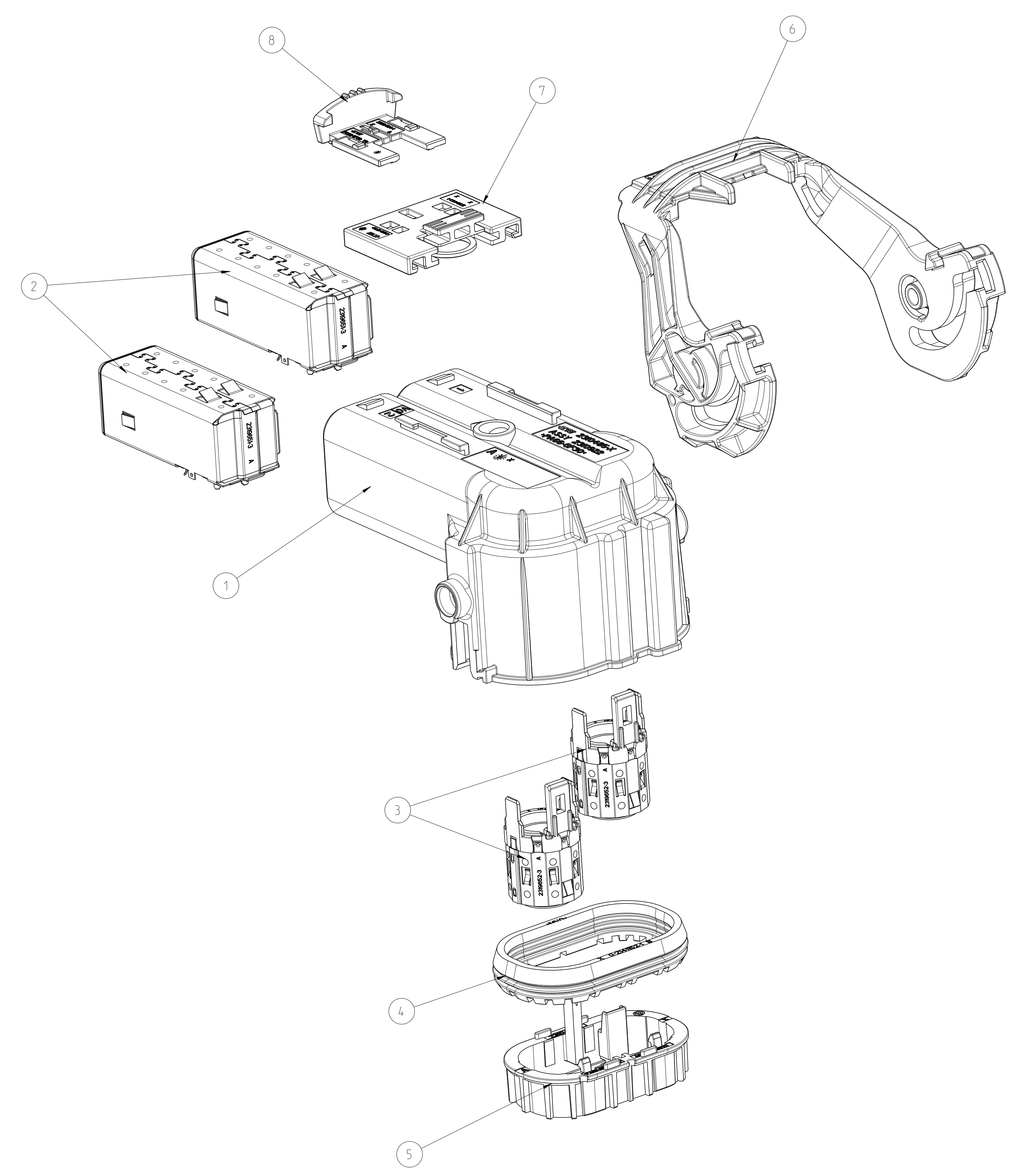
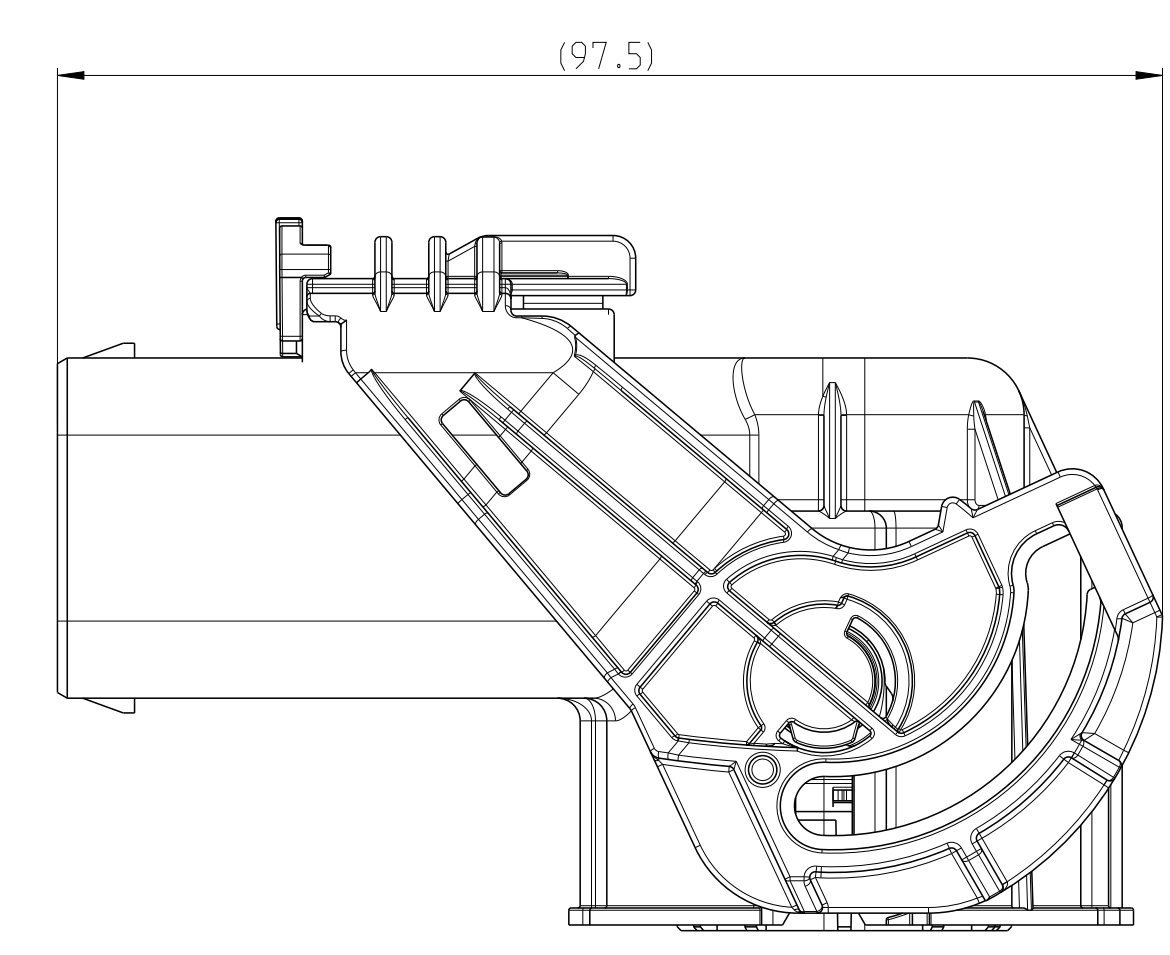
THIS DRAWING IS A CONTROLLED DOCUMENT.		DATE: 12 JUL 2017	BY: J.L.L.
DIMENSIONS: (mm)		DATE: 24 JUL 2017	BY: S.Y.WANG
TOLERANCES UNLESS OTHERWISE SPECIFIED:		DATE: 02 AUG 2017	BY: S.Y.WANG
1. FRACTIONAL DIMENSIONS	±0.5	APPROVAL:	APPROVED TO: 108-32233
2. DECIMAL DIMENSIONS	±0.01	DATE:	REFER TO 108-32233
3. HOLE DIMENSIONS	±0.005	SCALE:	REFER TO 154-32213
4. ANGLES	±0.05	SCALE:	REFER TO 154-32213
5. FINISH SPEC		SCALE:	
6. CUSTOMER DRAWING		SCALE:	

STE TE Connectivity
 2POS, 8mm HV, REC HSG, 90 DEG, ASSY
 SEALED

SIZE: CASE CODE: DRAWING NO: 00779 ©=2310922
 SHEET 11 OF 3



CODINGS



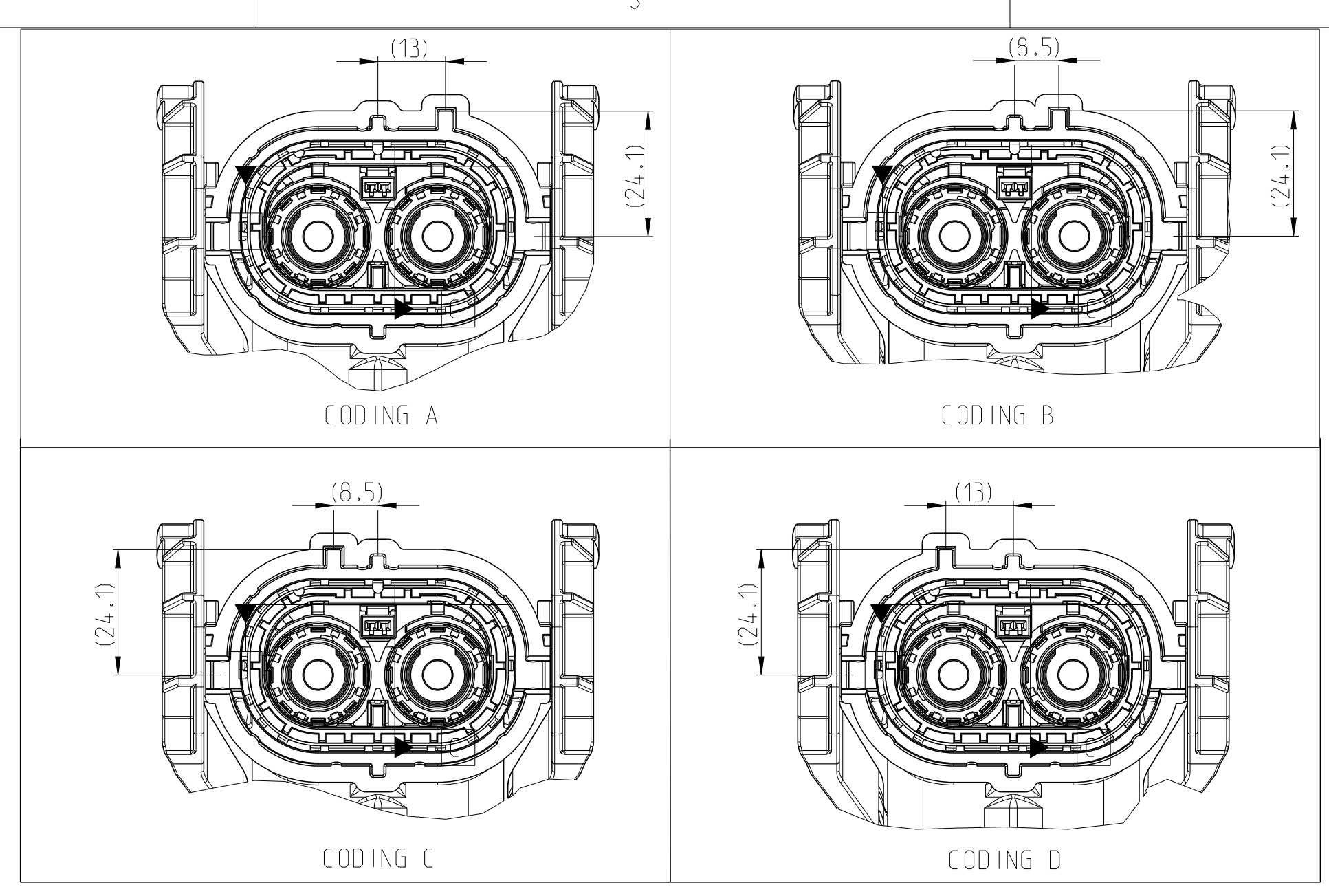
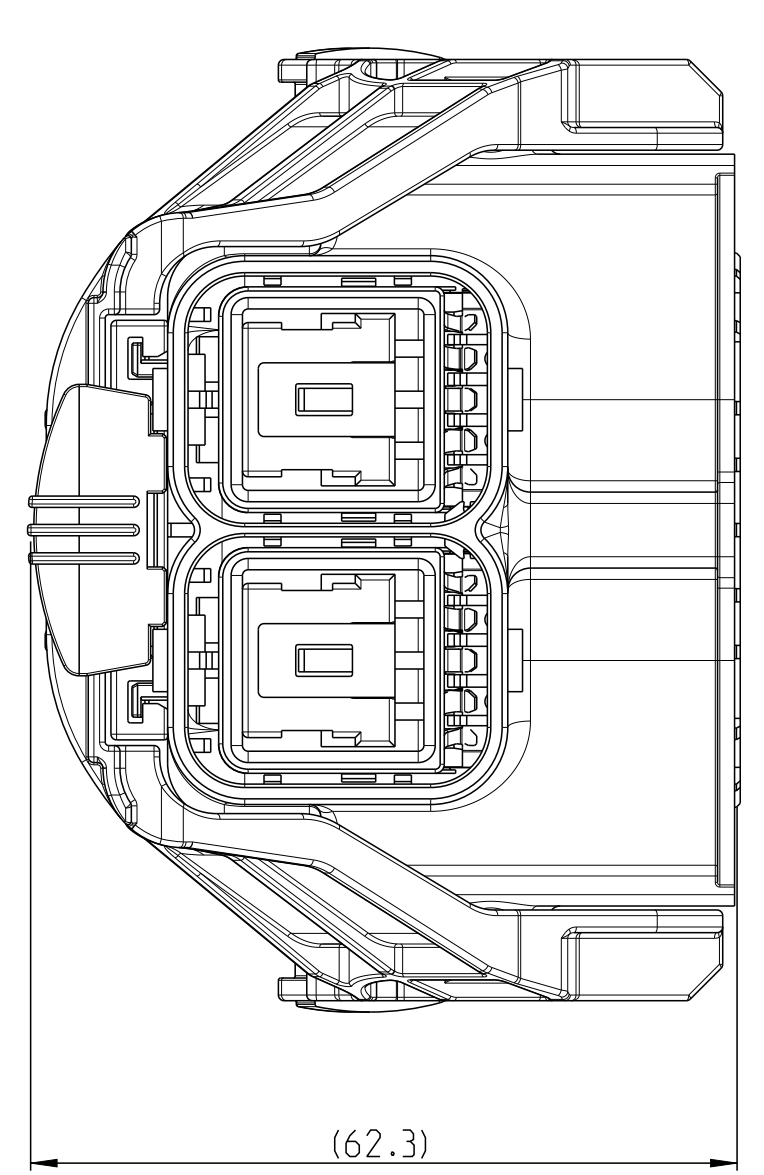
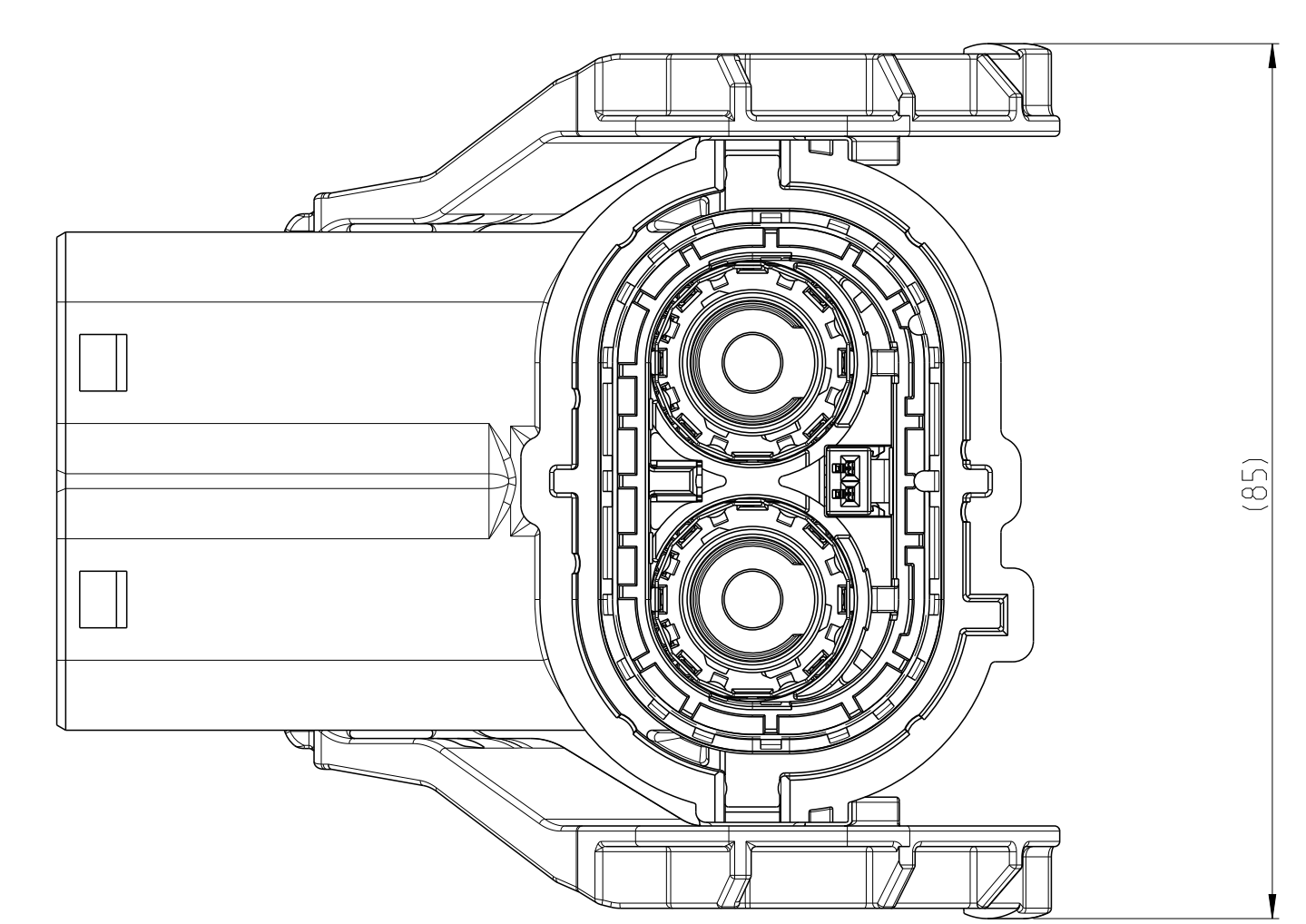
COD.	TE ASSY-NO.	ASSY-REV	QTY	DESCRIPTION	MATERIAL	WEIGHT (g)	SURFACE COLOUR	ITEM
D	1-2310922-4	A	1	CPA	PA66-GF V0	(141.6)	RED SIM RAL 3000	8
			1	ADAPTER	PA66-GF V0		DUSTY GRAY SIM RAL 7037	7
			1	LEVER, 2POS, 90 DEG	PA66-GF V0		WHITE SIM RAL 9010 (9001)	6
			1	2POS. MCON-1.2, REC HSG, 90 DEG, Assy	-		-	5
			1	RADIAL SEAL	SILICONE RUBBER		WHITE SIM RAL 9010	4
			2	ASSY. ISULATION INSERT - SHIELDING	△		-	3
			2	ASSY. ISULATION INSERT - SHIELDING	△		-	2
			1	2POS. 8MM HV, REC HSG, 90 DEG, SEALED	PA66-GF V0		ORANGE SIM RAL 2003	1
C	1-2310922-3	A	1	CPA	PA66-GF V0	(141.6)	RED SIM RAL 3000	8
			1	ADAPTER	PA66-GF V0		DUSTY GRAY SIM RAL 7037	7
			1	LEVER, 2POS, 90 DEG	PA66-GF V0		BLACK SIM RAL 9005 (9011)	6
			1	2POS. MCON-1.2, REC HSG, 90 DEG, Assy	-		-	5
			1	RADIAL SEAL	SILICONE RUBBER		WHITE SIM RAL 9010	4
			2	ASSY. ISULATION INSERT - SHIELDING	△		-	3
			2	ASSY. ISULATION INSERT - SHIELDING	△		-	2
			1	2POS. 8MM HV, REC HSG, 90 DEG, SEALED	PA66-GF V0		ORANGE SIM RAL 2003	1
B	1-2310922-2	B	1	CPA	PA66-GF V0	(141.6)	RED SIM RAL 3000	8
			1	ADAPTER	PA66-GF V0		DUSTY GRAY SIM RAL 7037	7
			1	LEVER, 2POS, 90 DEG	PA66-GF V0		WHITE SIM RAL 9010 (9001)	6
			1	2POS. MCON-1.2, REC HSG, 90 DEG, Assy	-		-	5
			1	RADIAL SEAL	SILICONE RUBBER		WHITE SIM RAL 9010	4
			2	ASSY. ISULATION INSERT - SHIELDING	△		-	3
			2	ASSY. ISULATION INSERT - SHIELDING	△		-	2
			1	2POS. 8MM HV, REC HSG, 90 DEG, SEALED	PA66-GF V0		ORANGE SIM RAL 2003	1
A	1-2310922-1	B	1	CPA	PA66-GF V0	(141.6)	RED SIM RAL 3000	8
			1	ADAPTER	PA66-GF V0		DUSTY GRAY SIM RAL 7037	7
			1	LEVER, 2POS, 90 DEG	PA66-GF V0		BLACK SIM RAL 9005 (9011)	6
			1	2POS. MCON-1.2, REC HSG, 90 DEG, Assy	-		-	5
			1	RADIAL SEAL	SILICONE RUBBER		WHITE SIM RAL 9010	4
			2	ASSY. ISULATION INSERT - SHIELDING	△		-	3
			2	ASSY. ISULATION INSERT - SHIELDING	△		-	2
			1	2POS. 8MM HV, REC HSG, 90 DEG, SEALED	PA66-GF V0		ORANGE SIM RAL 2003	1

REVISIONS			
NO.	DATE	DESCRIPTION	BY
1		SEE SHEET 1	

1--1 AS SHOWN

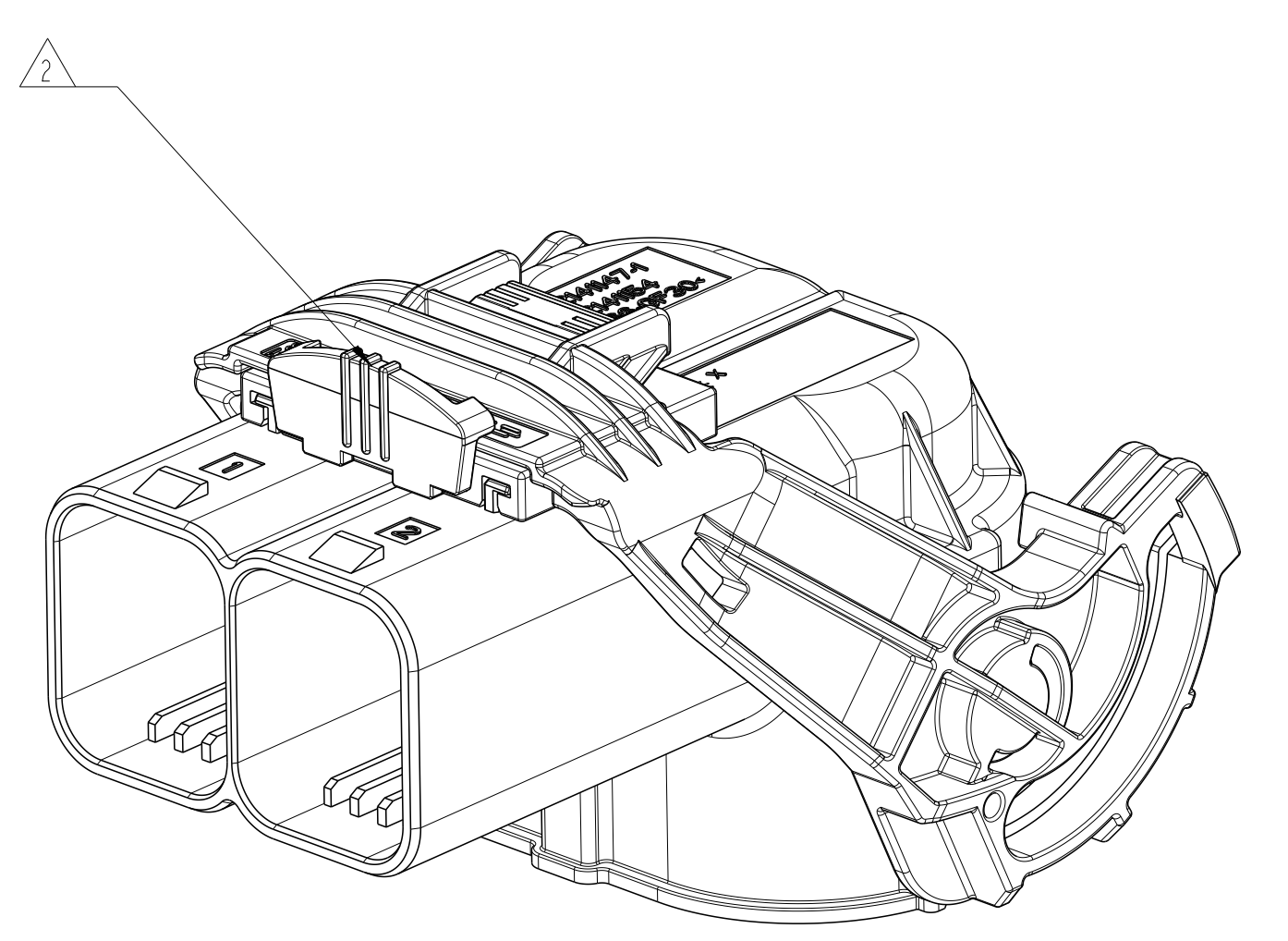
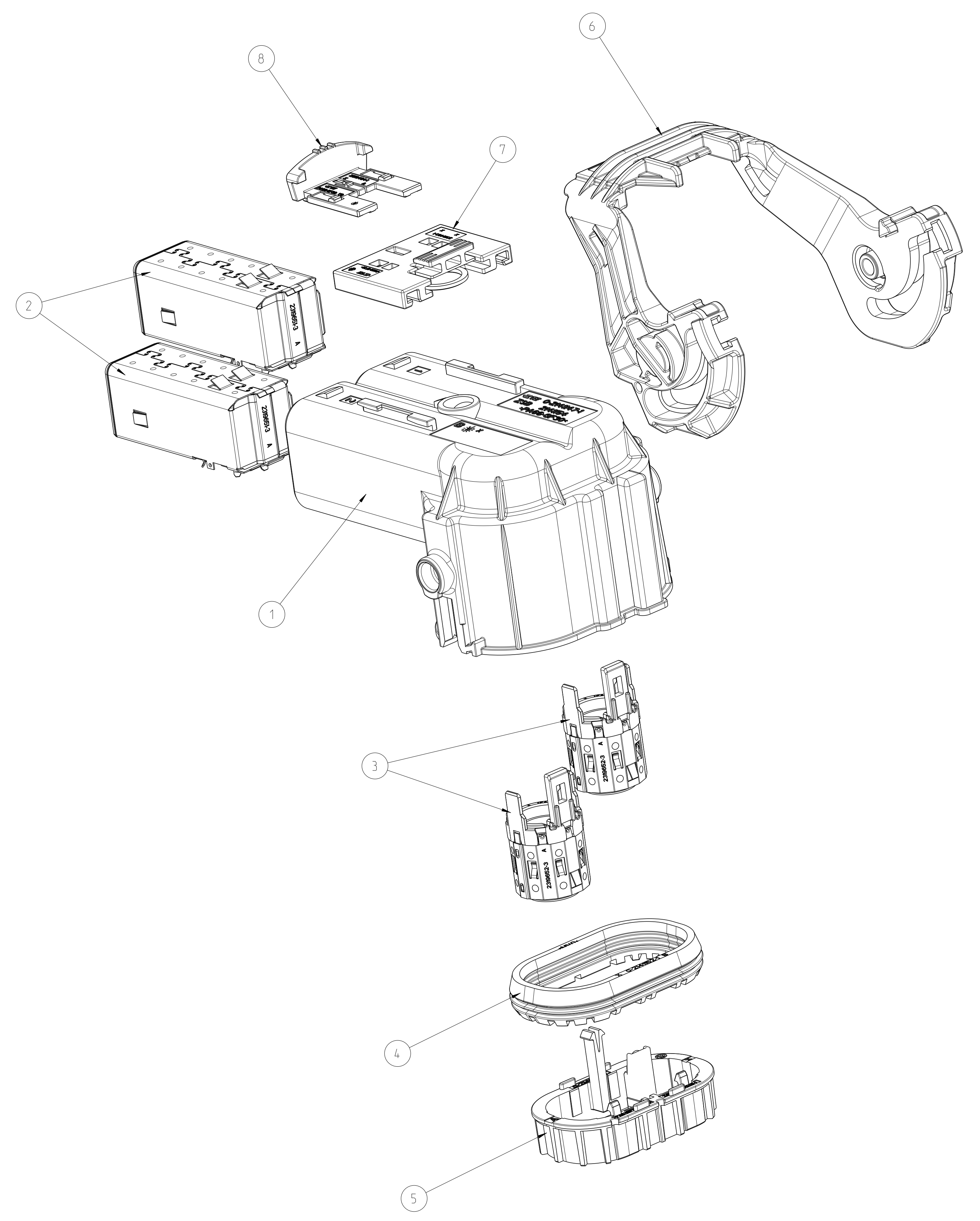
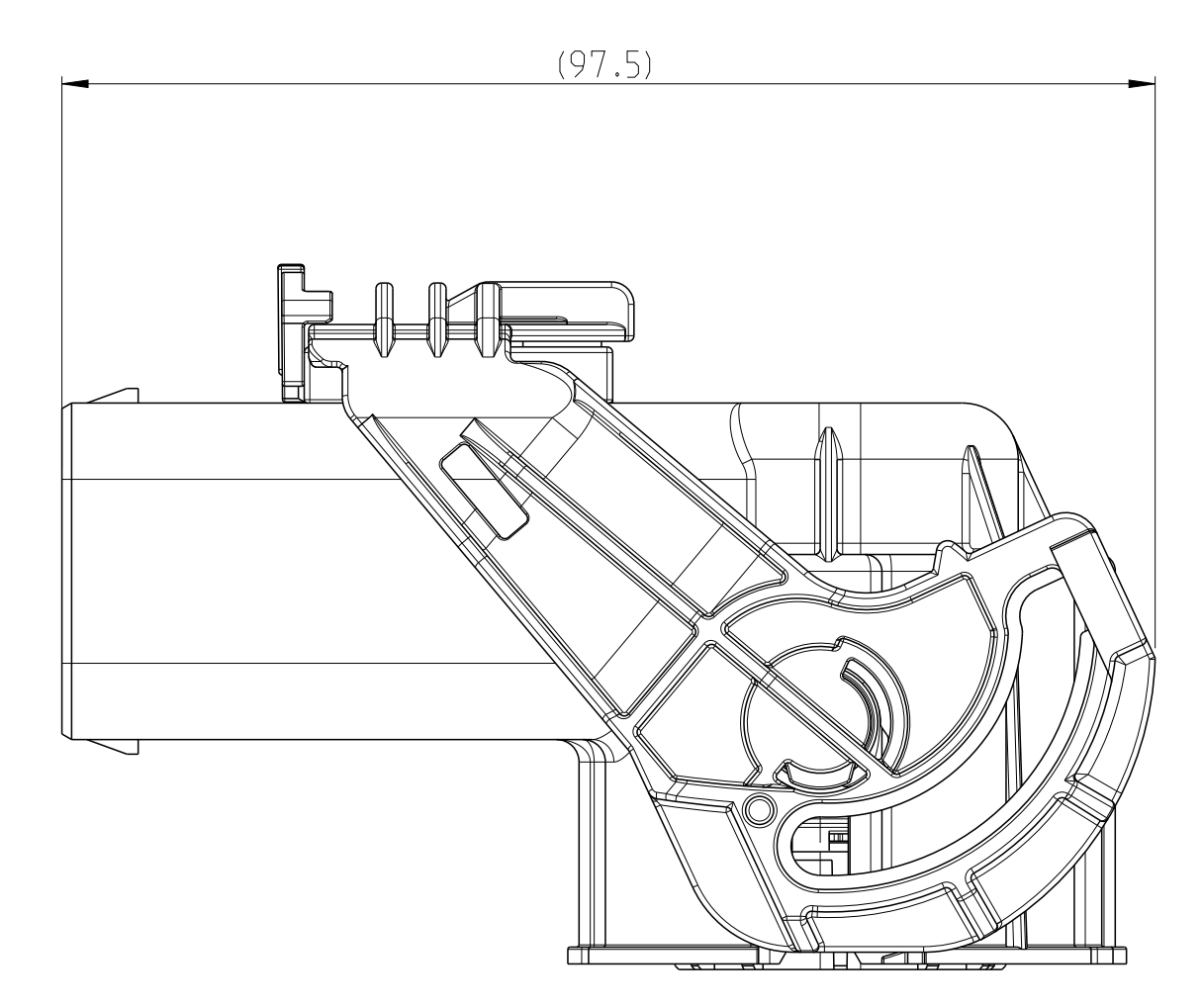
THIS DRAWING IS A CONTROLLED DOCUMENT. DATE: 12 JUL 2017
 DIMENSIONS: MILLIMETERS. OPERATIVE SHEETS: 02 AUG 2017
 DRAWN: J. LI. CHECKED: S.Y. WANG. APPROVED: J. WANG.
 PRODUCT SPEC: REFER TO 100-32233
 APPLICATION SPEC: REFER TO 114-32213
 CUSTOMER DRAWING. SCALE: 1:1. SHEET 2 OF 3. REV B3

STE TE Connectivity
 2POS, 8mm HV, REC HSG, 90 DEG, ASSY SEALED
 SIZE: A0. CASE CODE: 00779. DRAWING NO: 2310922



CODINGS

REVISIONS				
REV	DATE	DESCRIPTION	BY	APPD
1		SEE SHEET 1		



COD.	TE ASSY-NO.	ASSY-REV	QTY	DESCRIPTION	MATERIAL	WEIGHT (g)	SURFACE COLOUR	ITEM
D	2-2310922-4	A	1	CPA	PA66-GF V0	(141.6)	RED SIM RAL 3000	8
			1	ADAPTER	PA66-GF V0		DUSTY GRAY SIM RAL 7037	7
			1	LEVER, 2POS, 90 DEG	PA66-GF HB		WHITE SIM RAL 9010 (9001)	6
			1	2POS, MCON-1.2, REC HSG, 90 DEG, Assy	-		-	5
			1	RADIAL SEAL	SILICONE RUBBER		WHITE SIM RAL 9010	4
			2	ASSY: ISULATION INSERT - SHIELDING			-	3
			2	ASSY: ISULATION INSERT - SHIELDING			-	2
C	2-2310922-3	A	1	CPA	PA66-GF V0	(141.6)	RED SIM RAL 3000	8
			1	ADAPTER	PA66-GF V0		DUSTY GRAY SIM RAL 7037	7
			1	LEVER, 2POS, 90 DEG	PA66-GF HB		BLACK SIM RAL 9005 (9011)	6
			1	2POS, MCON-1.2, REC HSG, 90 DEG, Assy	-		-	5
			1	RADIAL SEAL	SILICONE RUBBER		WHITE SIM RAL 9010	4
			2	ASSY: ISULATION INSERT - SHIELDING			-	3
			2	ASSY: ISULATION INSERT - SHIELDING			-	2
B	2-2310922-2	B	1	CPA	PA66-GF V0	(141.6)	RED SIM RAL 3000	8
			1	ADAPTER	PA66-GF V0		DUSTY GRAY SIM RAL 7037	7
			1	LEVER, 2POS, 90 DEG	PA66-GF HB		WHITE SIM RAL 9010 (9001)	6
			1	2POS, MCON-1.2, REC HSG, 90 DEG, Assy	-		-	5
			1	RADIAL SEAL	SILICONE RUBBER		WHITE SIM RAL 9010	4
			2	ASSY: ISULATION INSERT - SHIELDING			-	3
			2	ASSY: ISULATION INSERT - SHIELDING			-	2
A	2-2310922-1	B	1	CPA	PA66-GF V0	(141.6)	RED SIM RAL 3000	8
			1	ADAPTER	PA66-GF V0		DUSTY GRAY SIM RAL 7037	7
			1	LEVER, 2POS, 90 DEG	PA66-GF HB		BLACK SIM RAL 9005 (9011)	6
			1	2POS, MCON-1.2, REC HSG, 90 DEG, Assy	-		-	5
			1	RADIAL SEAL	SILICONE RUBBER		WHITE SIM RAL 9010	4
			2	ASSY: ISULATION INSERT - SHIELDING			-	3
			2	ASSY: ISULATION INSERT - SHIELDING			-	2

2-x-1 AS SHOWN

THIS DRAWING IS A CONTROLLED DOCUMENT.		DATE: 12 JUL 2017	BY: J.L.L.	APPD: S.Y. WANG	DATE: 24 JUL 2017	REV: 02 AUG 2017	BY: S.Y. WANG	APPD: S.Y. WANG	DATE: 02 AUG 2017	REV: 02 AUG 2017	BY: S.Y. WANG	APPD: S.Y. WANG	DATE: 02 AUG 2017	REV: 02 AUG 2017	
DIMENSIONS:	UNIT:	SCALE:	TOLERANCES:	UNLESS OTHERWISE SPECIFIED:	APPROVAL:	PROJECT SPEC:	REFER TO 108-32233	APPLICATION SPEC:	REFER TO 114-32213	SITE:	CAGE CODE:	DRAWING NO:	2310922	RESTRICTED TO:	
CUSTOMER DRAWING										SCALE:	1:1	SHEET:	3 OF 3	REV:	B3

Mouser Electronics

Authorized Distributor

Click to View Pricing, Inventory, Delivery & Lifecycle Information:

[TE Connectivity:](#)

[2-2310922-1](#)

Looking for pricing, stock, or lifecycle information?

Click below to explore more details on WIN SOURCE:

 [View 2-2310922-1 on WIN SOURCE](#)

 [TE Connectivity](#) Information

Optimize Your Supply Chain with WIN SOURCE Solutions

-  Global Sourcing Solution
-  Obsolete Management
-  Cost Control Management
-  Shortage Management
-  Alternative Solution
-  Excess Inventory Management