

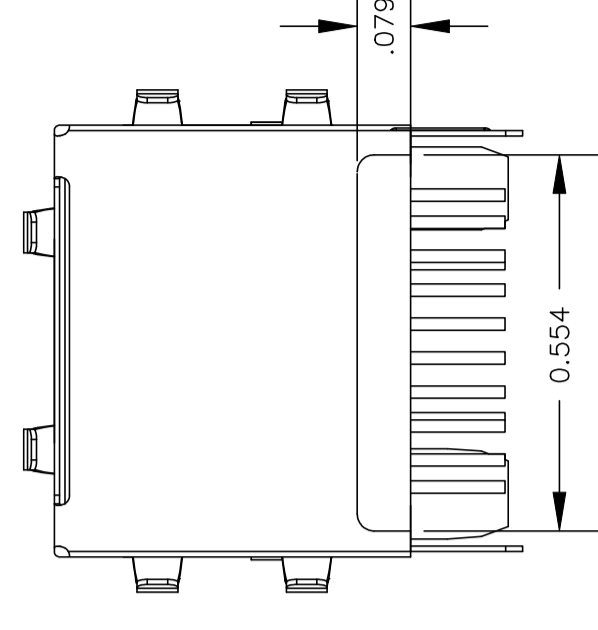
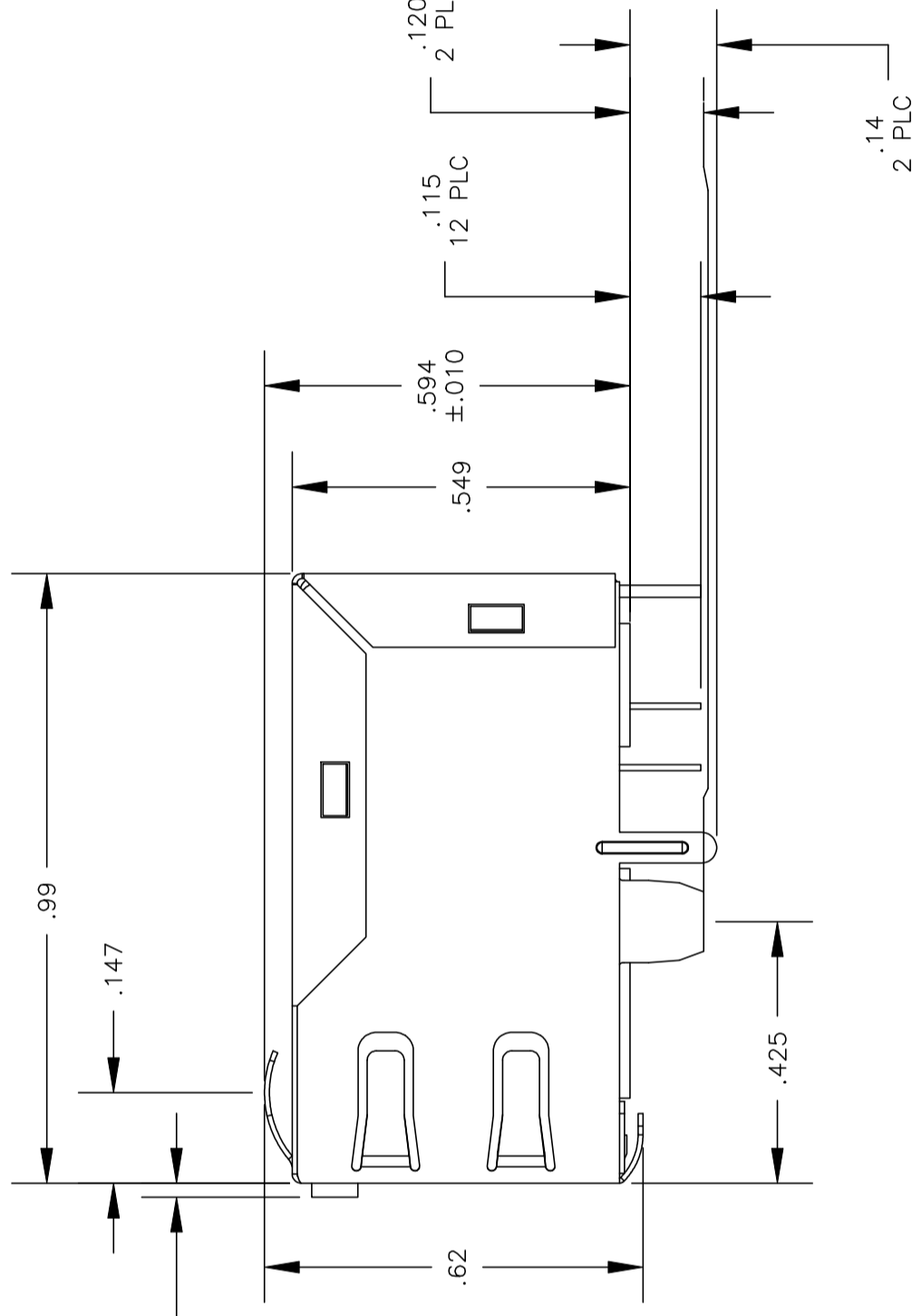
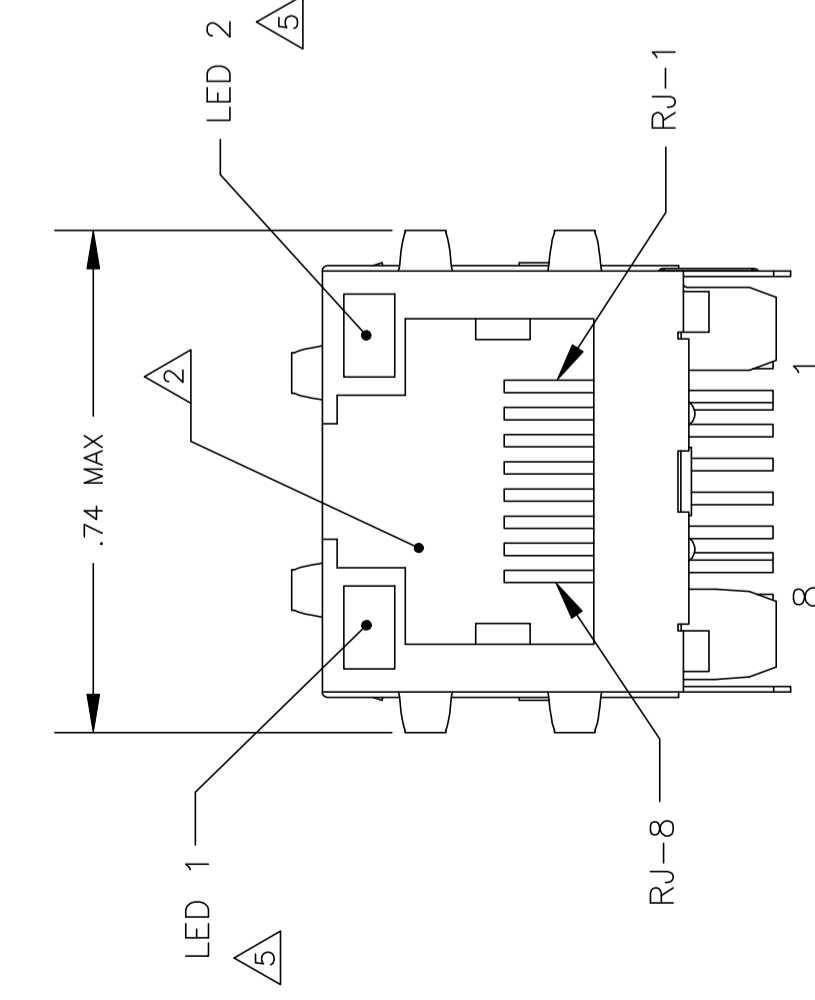
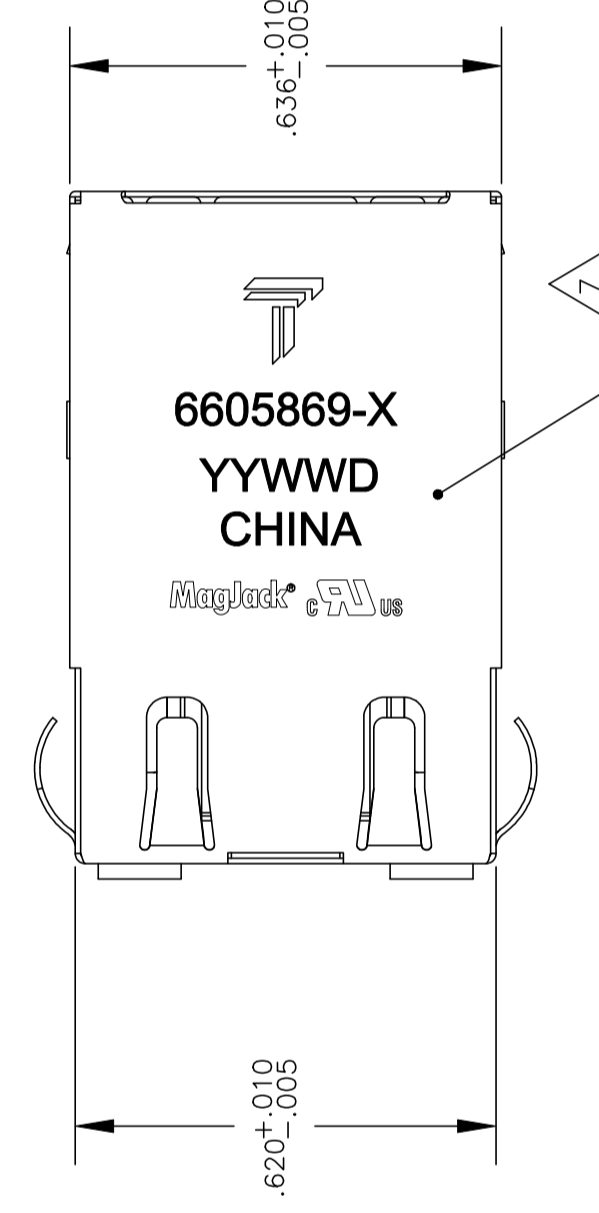


THE DATASHEET OF
5-6605869-7



THIS DRAWING AND THE SUBJECT MATTER SHOWN THEREON ARE CONFIDENTIAL AND THE PROPERTY OF BEL/STEWART/TRP CONNECTOR AND SHALL NOT BE REPRODUCED, COPIED, OR USED IN ANY MANNER WITHOUT THE WRITTEN CONSENT OF TRP CONNECTOR.

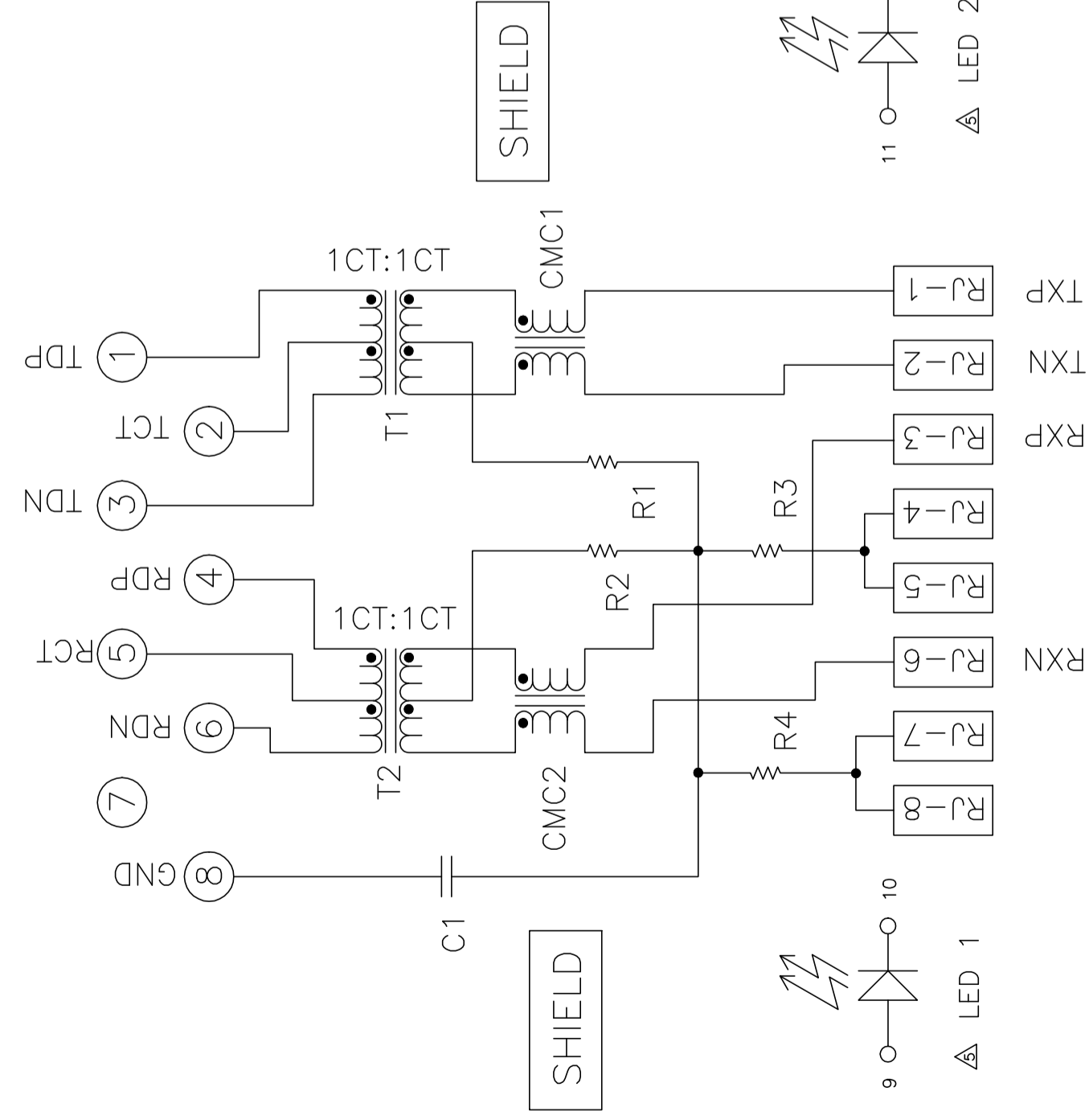
PRODUCT MAY BE PROTECTED BY ONE OR MORE OF THE FOLLOWING US PATENTS:
 5736910 5939955 6425781 6428361 6554638 6840817 7123117
 7429195 7717749 7808751 6217391 6149050 7924130



- △ MATE
- △ HOUSING
- △ SHIELD
- △ NICKEL
- △ MODIFIED
- △ WITH
- △ AND/OR
- △ LIGHT
- △ PREPARED
- △ UNDEFINED
- △ SOLID
- △ RJ45
- △ MAGN
- △ -APPL
- △ -TUR
- △ -OPEN
- △ -PERF
- △ -INT
- △ RE
- △ CR
- △ CC
- △ -ISOL
- △ OPER
- △ LEDS
- △ LED C
- △ FORW
- △ DOMIN
- △ 6 INDICATOR
- △ SYMM
- △ TRP C
- △ MARK
- 8. THESE
- 160°C
- MAX

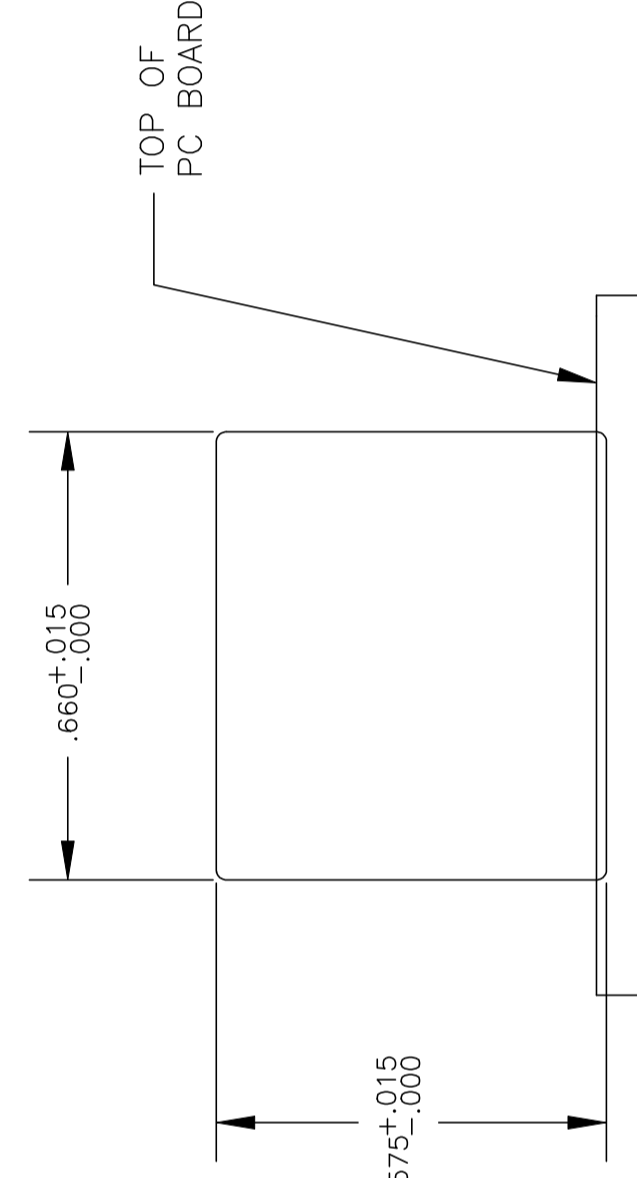
ELECTRICAL:

26P1 MAGNETIC SCHEMATIC:

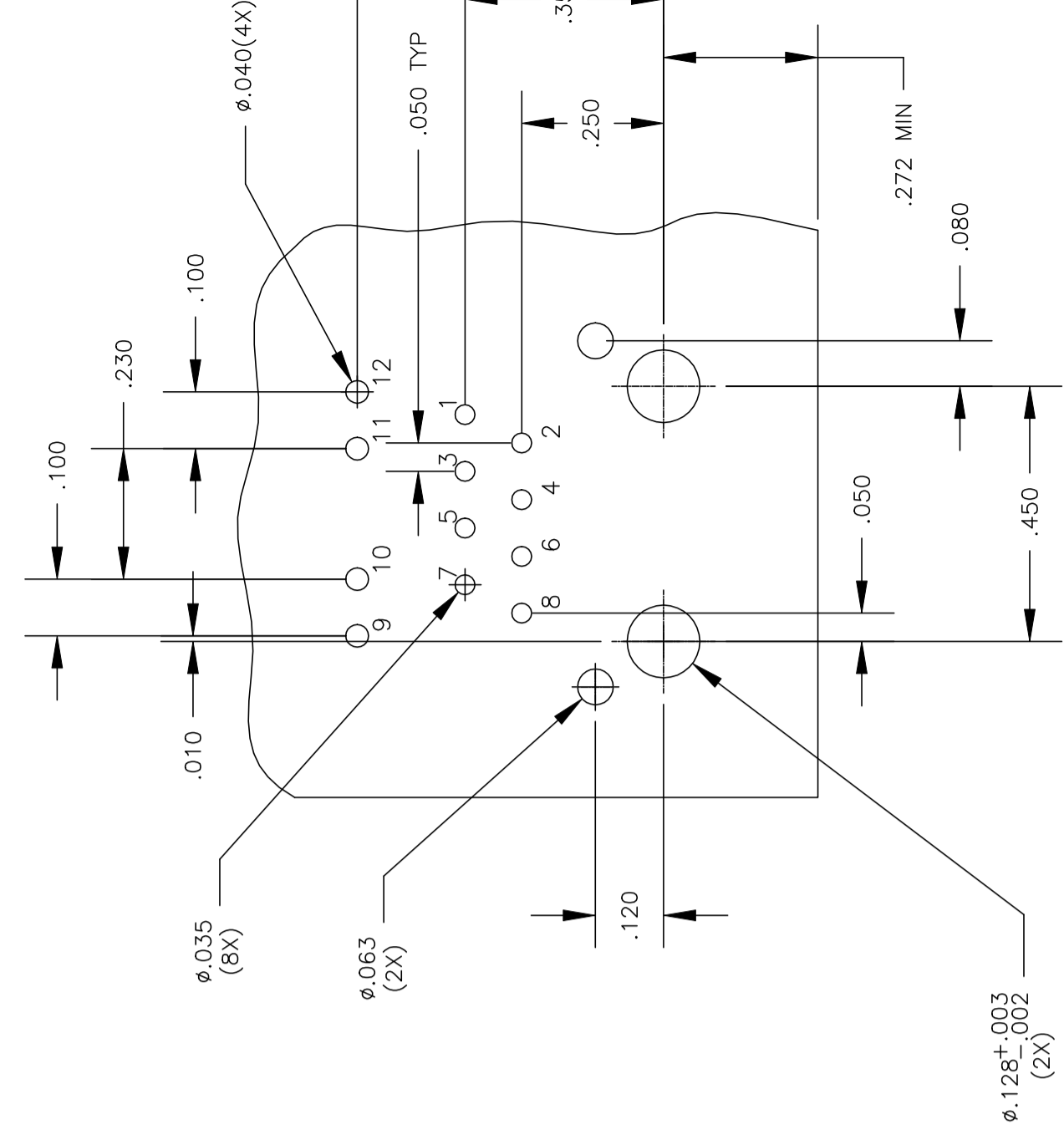


C1=1000 pF, 2kV CAPACITOR

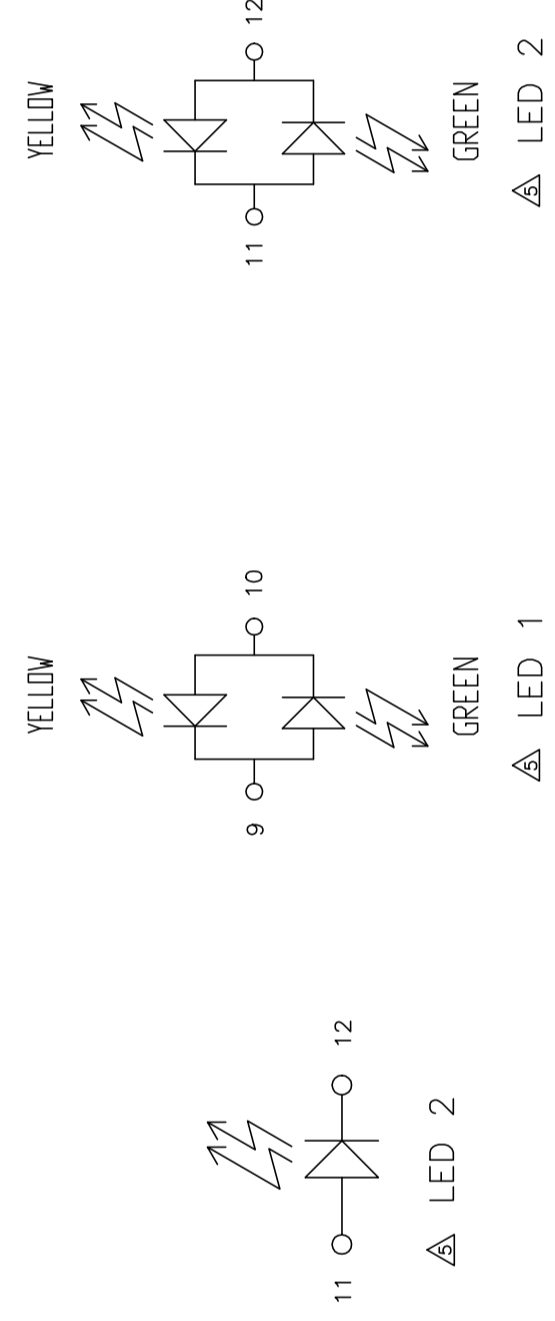
R1-R4 =75 Ohms, 1/16 W RESISTORS



SUGGESTED PANEL CUTOUT



SUGGESTED PC BOARD LAYOUT
(Component Side)



LED CONFIGURATION
FOR 6605869-6 ONLY

Mouser Electronics

Authorized Distributor

Click to View Pricing, Inventory, Delivery & Lifecycle Information:

Bel:

[5-6605869-7](#)

Looking for pricing, stock, or lifecycle information?

Click below to explore more details on WIN SOURCE:

[View 5-6605869-7 on WIN SOURCE](#)

[TRP Connector B.V. Information](#)

Optimize Your Supply Chain with WIN SOURCE Solutions

- ✓ Global Sourcing Solution
- ✓ Obsolete Management
- ✓ Cost Control Management
- ✓ Shortage Management
- ✓ Alternative Solution
- ✓ Excess Inventory Management