

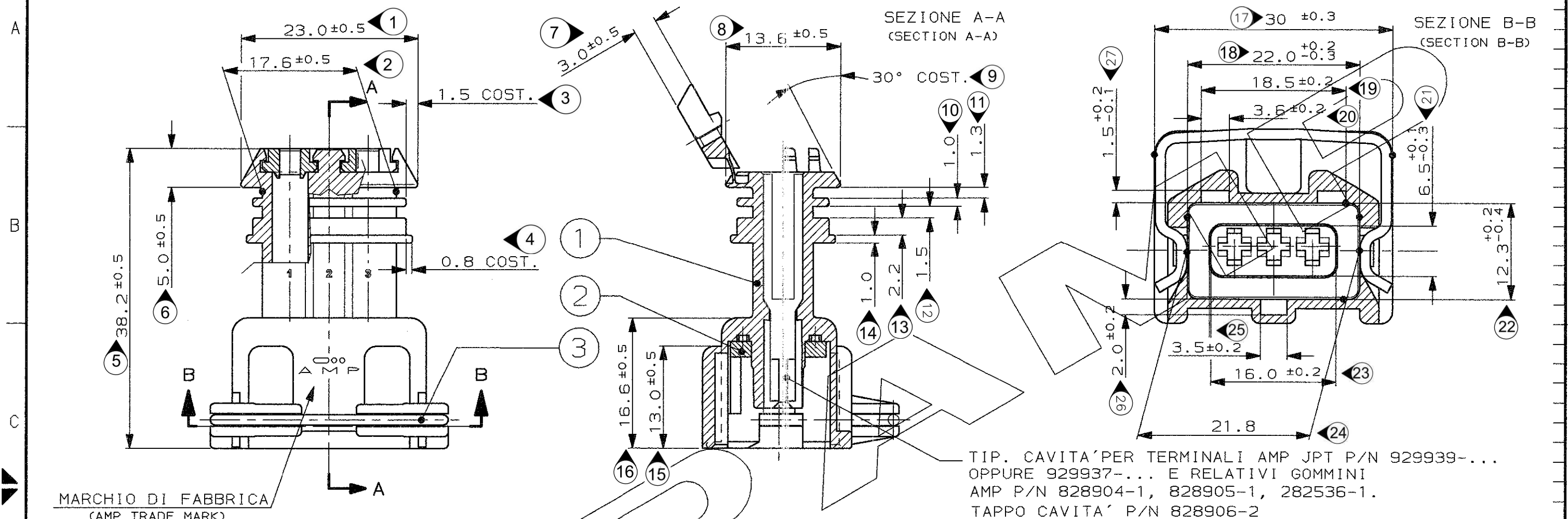


CONNETTORE TIPO A (CON MOLLA DI RITEGNO ESTERNA)  
CONNECTOR TYPE B (WITH INTERNAL SPRING)

SCALA NON IMPEGNATIVA  
(DO NOT SCALE)  
DIMENSIONI IN mm  
(DIMENSIONS IN mm)

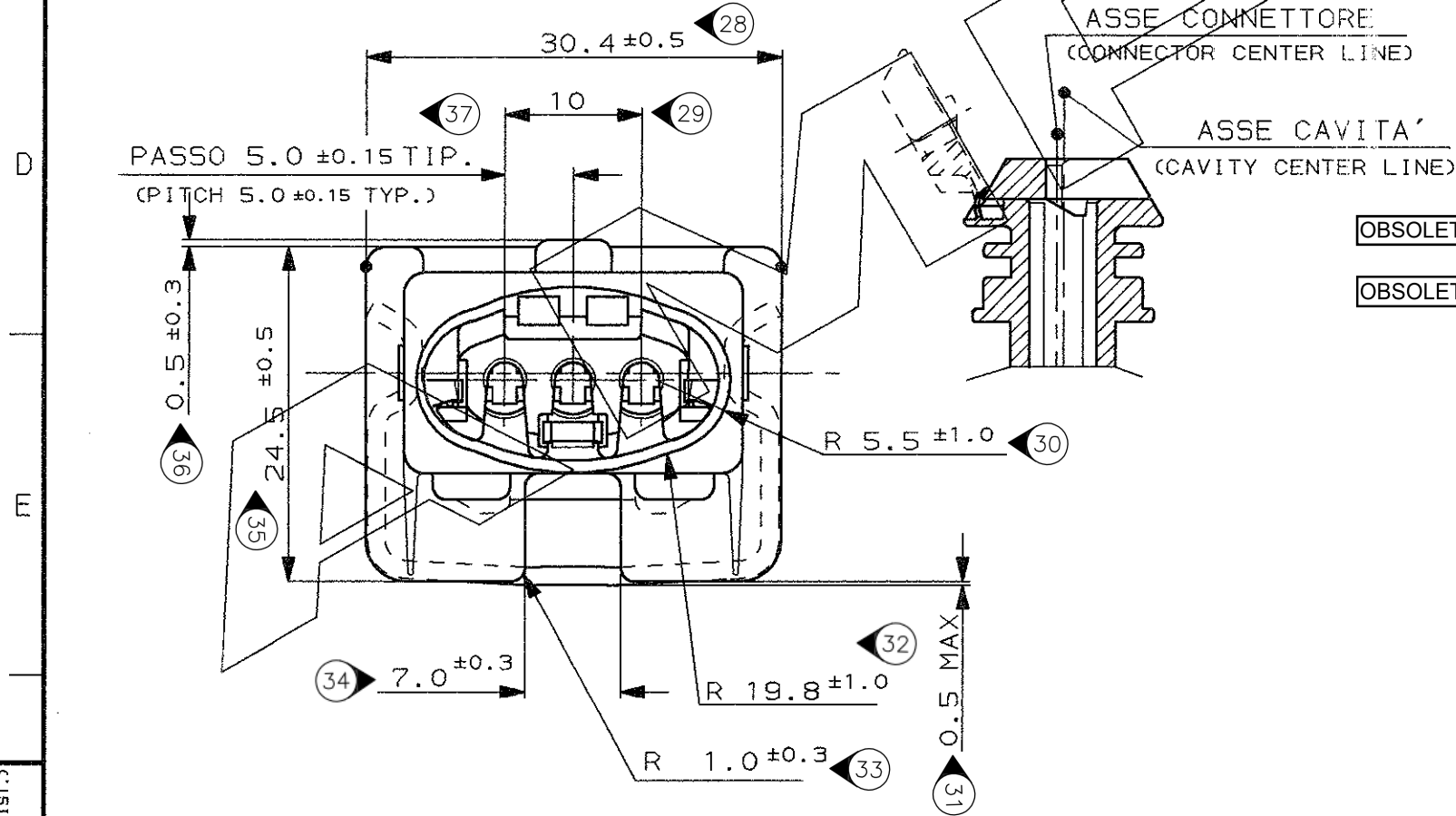
**METRIC**

PROIEZIONE EUROPEA  
(EUROPEAN PROJECTION)



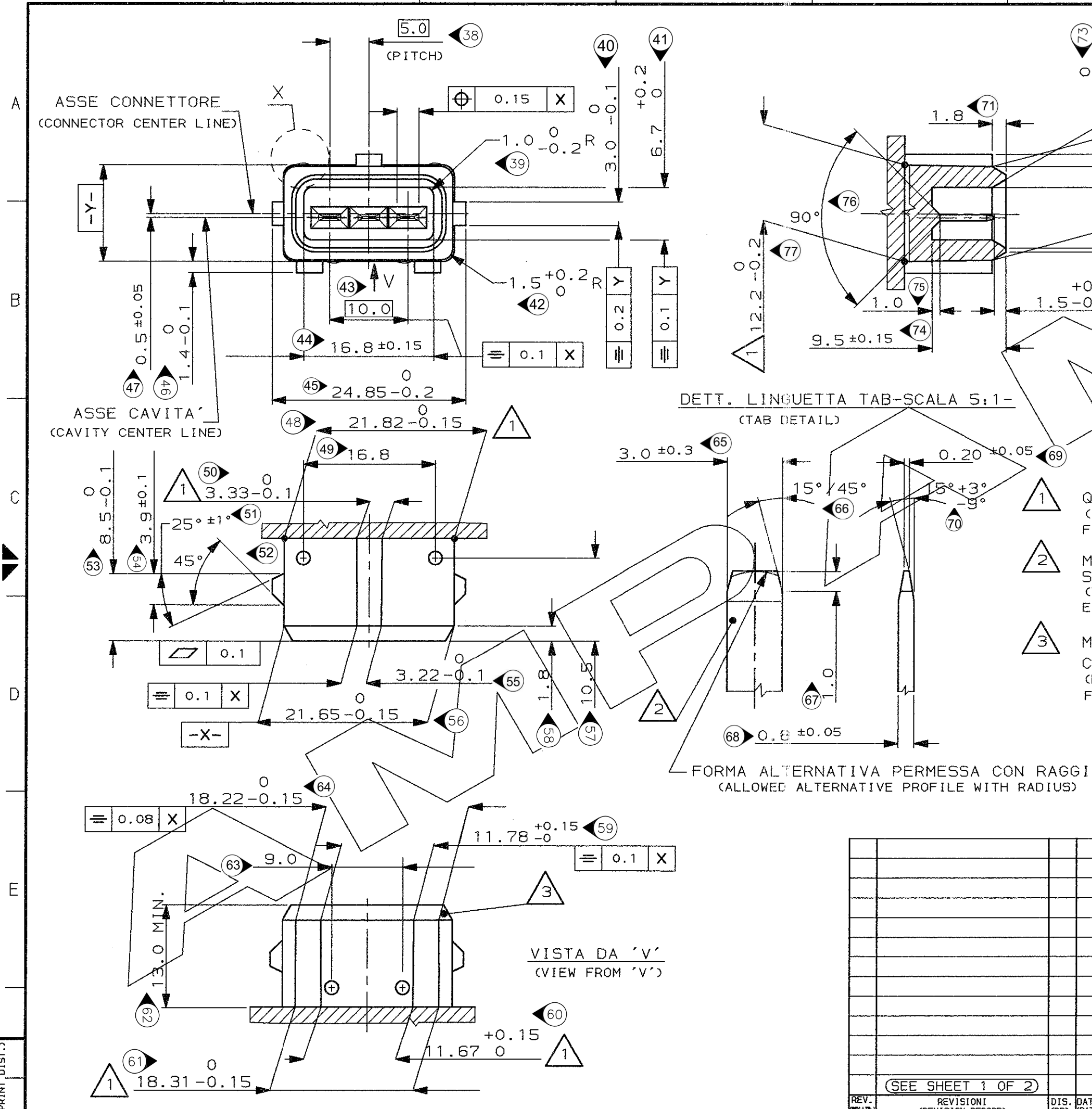
MARCHIO DI FABBRICA  
(AMP TRADE MARK)

TIP. CAVITA' PER TERMINALI AMP JPT P/N 929939-...  
OPPURE 929937-... E RELATIVI GOMMINI  
AMP P/N 828904-1, 828905-1, 282536-1.  
TAPPO CAVITA' P/N 828906-2  
(TYP. CAV. FOR JPT CONT. P/N 929939-.. A/O 929937-.. AND REL.  
SINGLE WIRE SEAL P/N 828904-1, 828905-1, 282536-1  
CAVITY PLUG P/N 828906-2)



COLORE (COLOR)	NUMERO (PART. N°)	ASSY REV.	N° (ITEM)	FINITURA / COLORE (FINISH / COLOUR)	MATERIALE (MATERIAL)	DESCRIZIONE (DESCRIPTION)
MARRONE (BROWN)	282729-6		3	//////	ACCIAIO INOX (STAINLESS STEEL)	MOLLA (SPRING)
BLU (BLUE)	282729-5		E2	2	NATURALE (NATURAL)	GOMMA SILICONE (SILICONE RUBBER)
VERDE (GREEN)	282729-4					
NATURALE (NATUR)	282729-3		1	//////	PA 6.6	BLOCCETTO (HOUSING)
GRIGIO (GREY)	282729-2					
NERO (BLACK)	282729-1					
CUSTOMER DWG. FOR REFERENCE ONLY      DISEGNO PER CLIENTE SOLO PER RIFERIMENTO						
THIS DRAWING IS UNPUBLISHED      RELEASE FOR PUBLICATION      19						
© COPYRIGHT 19 BY AMP INCORPORATED, HARRISBURG, PA. ALL INTERNATIONAL RIGHT RESERVED. AMP PRODUCTS MAY BE COVERED BY U.S. AND FOREIGN PATENT AND/OR PATENT PENDING						
TOLLERANZE, SE NON DIVERSAMENTE SPECIFICATO (TOLERANCES, UNLESS OTHERWISE SPECIFIED)				DIAM. ISOLANTE (INS. DIA. RANGE)		SCALA (SCALE)
				1.5-3.0 mm (RED. INS. CABLE)		---
E2 REVISED PER ECO-20-003218      AP/VN      08MAY 2020				± 0.3		
E1 REVISED PER ECO-16-003585      MP      15MAR 2016				± 2°		
E ECR-14-003472      MP      24MAR 2014				ANGOLI (ANGLES)		
D REVISED FOR ET00-0385-99      M.P.      01				DIS. 19 MAY 95 (DR.)		
C RELEASED FOR PRODUCTION -6, WITH EC ET00-0222-98      R.M.				M. PALMA		DESCRIZIONE (DESCRIPTION)
B REVISED AND IN PRODUCTION EC ET00-0075-96      A.B.      12-2 1996				CONT. 19 MAY 95 (CHK)		3 POS. SPLASH PROOF CONN. ASS'Y with SECONDARY LOCK
A FIRST ISSUE WITH ECN ET00-0217-95      M.P.      15-9 1995				C. TARTARI		LOC. SIZE (DWG NO)
REV. (REVISION RECORD)				APP. (APP.)		REV. (REV.)
				I A3		FOLGIO (SHEET)
				C-282729		E2 1 DI (OP) 2

DISTRIBUZIONE (PRINT DIST.)



SU TUTTO IL PERIMETRO (CALL AROUND)

R SFERICO (SPHERIC R.)

1 QUOTE APPLICABILI PER SFORMATURA PEZZO (DRAFT PERMITTED TO FACILITATE REMOVAL OF PART FROM THE MOULD)

2 MATERIALE LINGUETTE: LEGA DI RAME STAGNATA, ES. OTTONE STAGNATO. (TAB CONTACT MATERIAL: TIN PLATED COPPER ALLOY. E.G. BRASS TIN PLATED)

3 MATERIALE BLOCCHETTO: TERMOPLASTICO CARICATO FIBRA VETRO. (HOUSING MATERIAL: THERMOPLASTIC, GLASS FIBER FILLED)

FORMA ALTERNATIVA PERMESSA CON RAGGIO (ALLOWED ALTERNATIVE PROFILE WITH RADIUS)

FINITURA / COLORE (FINISH / COLOUR)		MATERIALE (MATERIAL)		NUMERO (PART NUMBER)	
CUSTOMER DWG. FOR REFERENCE ONLY		DISEGNO PER CLIENTE SOLO PER RIFERIMENTO			
THIS DRAWING IS UNPUBLISHED		RELEASE FOR PUBLICATION		19	
© COPYRIGHT 19 BY AMP INCORPORATED, HARRISBURG, PA. ALL INTERNATIONAL RIGHT RESERVED. AMP PRODUCTS MAY BE COVERED BY U.S. AND FOREIGN PATENT AND/OR PATENT PENDING					
TOLLERANZE: SE NON DIVERSAMENTE SPECIFICATO (TOLERANCES: UNLESS OTHERWISE SPECIFIED)		DIAM. ISOLANTE (INS. DIA. RANGE)		RANGO FILO (WIRE RANGE)	
± 0.3		---		---	
ANGOLI (ANGLES)		---		---	
± 2°		---		---	
DIS. (DR.)		DESCRIZIONE (DESCRIPTION)			
		3 POS. SPLASH PROOF CONN. ASS'Y with SECONDARY LOCK			
CONT. (CHK)		LOC. SIZE NUMERO (DWG NO)		REV. FOGLIO (SHEET)	
		I A3 C-282729		E2 2 DI (OF) 2	
SEE SHEET 1 OF 2		SEE SHEET 1 OF 2			
REV. (REV.)	REVISIONI (REVISION RECORD)	DIS. (DR)	DATA (DATE)	APP. (APP.)	

DISTRIBUZIONE (PRINT DIST.)

# Mouser Electronics

Authorized Distributor


Click to View Pricing, Inventory, Delivery & Lifecycle Information:

[TE Connectivity:](#)

[282729-1](#)

## Looking for pricing, stock, or lifecycle information?

Click below to explore more details on WIN SOURCE:

 [View 282729-1 on WIN SOURCE](#)

 [TE Connectivity](#) Information

## Optimize Your Supply Chain with WIN SOURCE Solutions

-  Global Sourcing Solution
-  Obsolete Management
-  Cost Control Management
-  Shortage Management
-  Alternative Solution
-  Excess Inventory Management