



THE DATASHEET OF

281839-5

win-source.net



0086-755-83957316

THIS DRAWING IS UNPUBLISHED.
DIFFUSION RESTREINTE

RELEASED FOR PUBLICATION
LIBRE A LA DIFFUSION

ALL RIGHTS RESERVED.
TOUS DROITS RESERVES

© COPYRIGHT

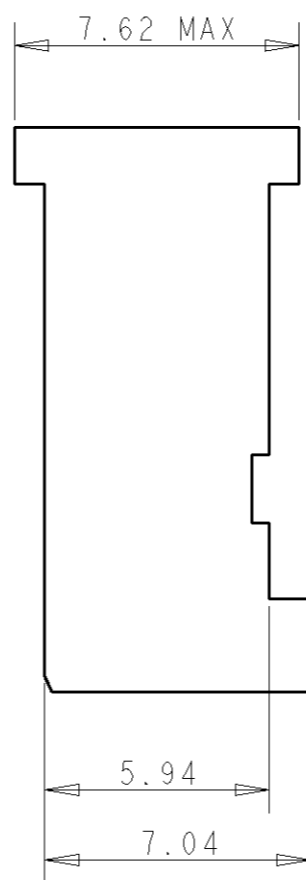
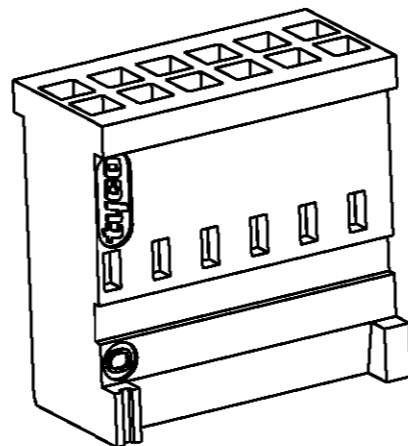
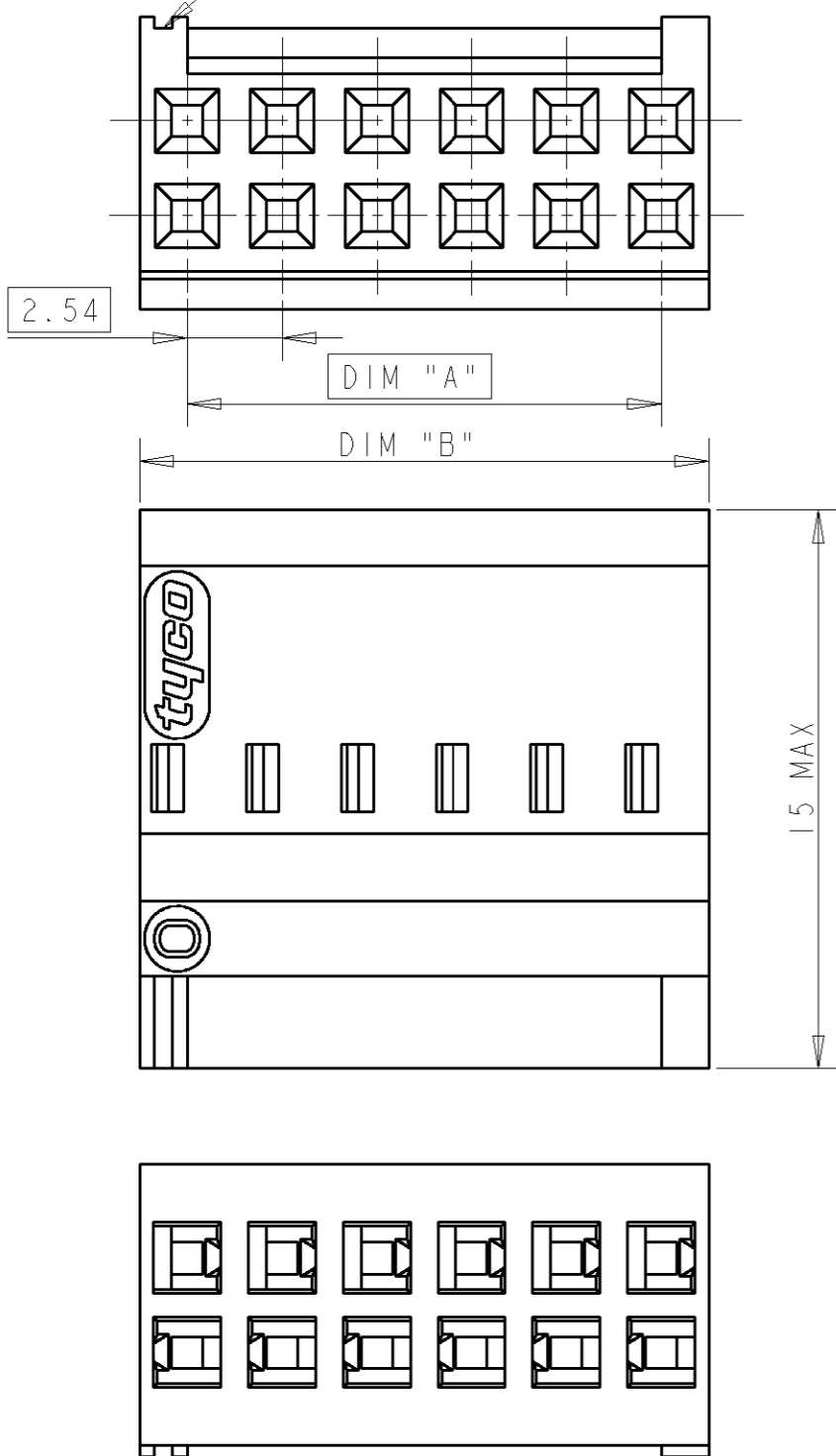
LOC F DIST 00

REVISIONS

P	LTR REV	DESCRIPTION MODIFICATIONS	DATE	DWN DESS.	APVD APP.
C1		REVISED PER ECO-11-005150	19APR11	RK	HMR

SCALE 3:1

SEE NOTE 2



DIM "B"	DIM "A"	NR OF POS.	TE CONNECTIVITY PART NO
45.72	43.18	2x18	1-281839-8
38.10	35.56	2x15	1-281839-5
30.48	27.94	2x12	1-281839-2
25.40	22.86	2x10	1-281839-0
22.86	20.32	2x9	0-281839-9
20.32	17.78	2x8	0-281839-8
17.78	15.24	2x7	0-281839-7
15.24	12.70	2x6	0-281839-6
12.70	10.16	2x5	0-281839-5
10.16	7.62	2x4	0-281839-4
7.62	5.08	2x3	0-281839-3

NOTES:

- MATERIAL DESCRIPTION: GLASS FILLED PBT, UL 94-V0, COLOR BLUE
- IDENTIFICATION OF CONTACT CAVITY N° 1
- PRODUCT ACCORDING TO IEC 603-8
- ACCEPTS CRIMP CONTACTS 188746-1 O R 188744-1

DIMENSIONS: mm 		TOLERANCES UNLESS OTHERWISE SPECIFIED: TOLERANCES NON SPECIFIEES (SUIV NB DE DECIMALES): 0 PLC/DEC: ±0.2 1 PLC/DEC: ±0.2 2 PLC/DEC: ±0.2 3 PLC/DEC: ± 4 PLC/DEC: ± ANGLES ±1°		DWN/DESSINE 22JUL2003 T. CORRIOU CHK/VERIFIE 22JUL2003 Y. PETRONIN APVD/APPROUVE 22JUL2003 M. FURIO		TE Connectivity	
MATERIAL /MATIERE		FINISH /FINITION		PRODUCT SPEC SPEC. PRODUIT APPLICATION SPEC SPEC. APPLICATION		NAME TITRE DOUBLE ROW HOUSING FOR HE 13-14 COSI CONTACT	
				WEIGHT MASSE APPROX. -		SIZE FORMAT A3 CAGE CODE 00779 DRAWING NO No PLAN C-281839 RESTRICTED TO RESERVE A -	
CUSTOMER DRAWING /PLAN CLIENT				UNIQUEMENT POUR REFERENCE		SCALE ECHELLE 5:1 SHEET FEUILLE OF DE REV C1	

Mouser Electronics

Authorized Distributor

Click to View Pricing, Inventory, Delivery & Lifecycle Information:

[TE Connectivity:](#)

[281839-5](#)

Looking for pricing, stock, or lifecycle information?

Click below to explore more details on WIN SOURCE:

 [View 281839-5](#) on WIN SOURCE

 [TE Connectivity](#) Information

Optimize Your Supply Chain with WIN SOURCE Solutions

-  Global Sourcing Solution
-  Obsolete Management
-  Cost Control Management
-  Shortage Management
-  Alternative Solution
-  Excess Inventory Management