



**THE DATASHEET OF
TFI453-800-34-7B31_26MM**





TET ESTEL AS
ESTONIA

June
2016

Series
TFI453-800

High Frequency Inverter grade
Capsule Thyristor
Type TFI453-800

Low switching losses
Low reverse recovery charge
Distributed amplified gate for high di/dt

Maximum mean on-state current	I_{TAV}	800 A		
Maximum repetitive peak off-state and reverse voltage	U_{DRM} U_{RRM}	2800 ÷ 3400 V		
Turn-off time	t_q	80; 100; 125; μs		
U_{DRM}, U_{RRM}, V	2800	3000	3200	3400
Voltage code	28	30	32	34
$T_{vj}, ^\circ C$	- 60 ÷ 125			

MAXIMUM ALLOWABLE RATINGS

Symbols and parameters		Units	TFI453-800	Conditions
I_{TAV}	Mean on-state current	A	800 1195	$T_c=87^\circ C$, $T_c=55^\circ C$, 180° half-sine wave, 50 Hz
I_{TRMS}	RMS on-state current	A	1255	$T_c=87^\circ C$
I_{TSM}	Surge on-state current	kA	17,0 19,0	$T_{vj}=125^\circ C$ $T_{vj}=25^\circ C$ tp=10 ms $U_R=0$
I^2t	Limiting load integral	kA^2s	1445 1805	$T_{vj}=125^\circ C$ $T_{vj}=25^\circ C$
U_{DRM}, U_{RRM}	Repetitive peak off-state and reverse voltage	V	2800÷3400	$T_j \min \leq T_{vj} \leq T_{jM}$ 180° half-sine wave, 50 Hz Gate open
U_{DSM}, U_{RSM}	Non-repetitive peak off-state and reverse voltage	V	2900÷3500	$T_j \min \leq T_{vj} \leq T_{jM}$ 180° half-sine wave tp=10 ms, Single pulse Gate open
(di _T /dt) crit	Critical rate of rise of on-state current : non - repetitive repetitive	A/ μ s	2000 1250	$T_{vj}=125^\circ C$; $U_D=0,67 U_{DRM}$, Gate pulse : 10V, 5 Ω , 1 μ s rise time, 10 μ s
U_{RGM}	Peak reverse gate voltage	V	5	$T_j \min \leq T_{vj} \leq T_{jM}$
T_{stg}	Storage temperature	$^\circ C$	-60÷80	
T_{vj}	Junction temperature	$^\circ C$	-60÷125	

CHARACTERISTICS

U_{TM}	Peak on-state voltage	V	3,0	$T_{vj}=25^\circ C$, $I_{TM}=3,14 I_{TAV}$
$U_{T(To)}$	Threshold voltage	V	1,45	$T_{vj}=125^\circ C$
R_T	On-state slope resistance	m Ω	0,42	$1,57 I_{TAV} < I_T < 4,71 I_{TAV}$
I_{DRM} I_{RRM}	Repetitive peak off-state and reverse current	mA	110 110	$T_{vj}=125^\circ C$, $U_D = U_{DRM}$ $U_R = U_{RRM}$

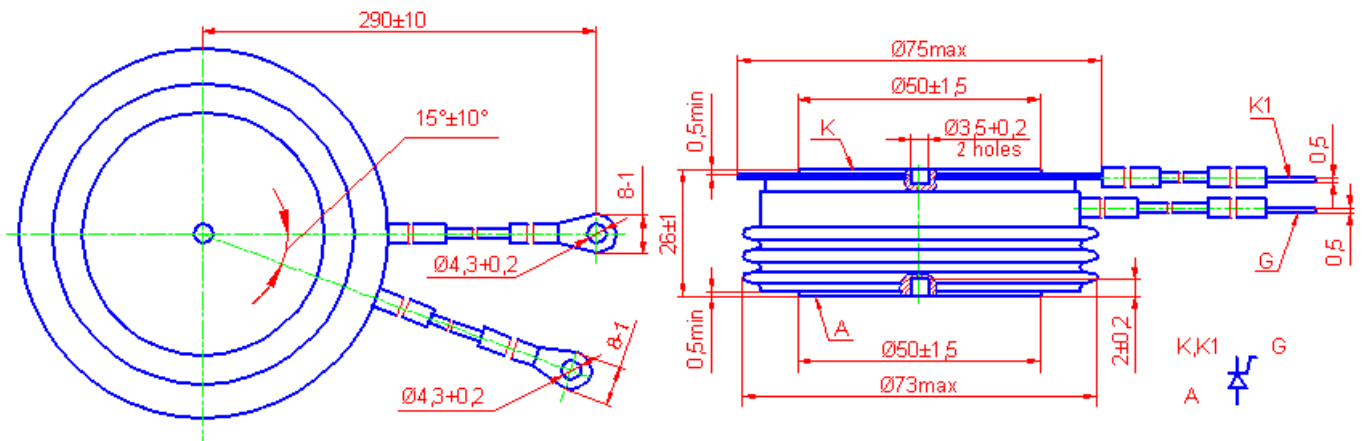
CHARACTERISTICS

Symbols and parameters		Units	TFI453-800	Conditions
I_L	Latching current	A	10	$T_{vj}=25^{\circ}\text{C}, U_D=12\text{V}$ Gate pulse : 10V, 5 μs , 1 μs rise time, 10 μs
I_H	Holding current	A	0,5	$T_{vj}=25^{\circ}\text{C}, U_D=12\text{V}$, Gate open
U_{GT}	Gate trigger direct voltage	V	2,5 5,0	$T_{vj}=25^{\circ}\text{C}$, $T_{vj}=-60^{\circ}\text{C}$ $U_D=12\text{V}$
I_{GT}	Gate trigger direct current	A	0,3 0,85	$T_{vj}=25^{\circ}\text{C}$, $T_{vj}=-60^{\circ}\text{C}$
U_{GD}	Gate non-trigger direct voltage	V	0,25	$T_{vj}=125^{\circ}\text{C}$, $U_D = 0,67 U_{DRM}$
I_{GD}	Gate non-trigger direct current	mA	10	Direct gate current
t_{gd}	Delay time	μs	2,5	$T_{vj}=25^{\circ}\text{C}, U_D=500\text{V}$ $I_{TM} = 800 \text{ A}$
t_{gt}	Turn-on time	μs	4,0	Gate pulse : 10V, 5 μs , 1 μs rise time, 10 μs
t_q	Turn-off time	μs	80 \div 125 100 \div 160	$T_{vj}=125^{\circ}\text{C}$, $I_{TM} = 800 \text{ A}$ $di_R/dt = 10 \text{ A}/\mu\text{s}$, $U_R=100\text{V}$ $U_D = 0,67 U_{DRM}$ $du_D/dt=50 \text{ V}/\mu\text{s}$ $du_D/dt=200 \text{ V}/\mu\text{s}$
Q_{rr}	Recovered charge	μC	1300	$t_q=80\mu\text{s}$
t_{rr}	Reverse recovery time	μs	10	$T_{vj}=125^{\circ}\text{C}$, $I_{TM} = 800 \text{ A}$
I_{rrm}	Peak reverse recovery current	A	260	$di_R/dt = 50 \text{ A}/\mu\text{s}$, $U_R=100\text{V}$
$(du_D/dt)_{crit}$	Critical rate of rise of off-state voltage	V/ μs	500 1000	$T_{vj}=125^{\circ}\text{C}$, $U_D = 0,67 U_{DRM}$ Gate open
R_{thjc}	Thermal resistance junction to case	$^{\circ}\text{C}/\text{W}$	0,021	Direct current, double side cooled

ORDERING

	TFI	453	800	30	7	X2	1	
	1	2	3	4	5	6	7	

- Fast thyristor with interdigitated gate structure.
- Design version.
- Mean on-state current, A.
- Voltage code (30=3000 V).
- Critical rate of rise of off-state voltage ($6 \geq 500 \text{ V}/\mu\text{s}$, $7 \geq 1000 \text{ V}/\mu\text{s}$).
- Group of turn-off time ($du_D/dt=50 \text{ V}/\mu\text{s}$, $X2 \leq 125 \mu\text{s}$, $A3 \leq 100 \mu\text{s}$, $B3 \leq 80 \mu\text{s}$).
- Group of turn-on time ($1 \leq 4 \mu\text{s}$).



Mounting force : 19 \div 28 kN

Weight : 580 grams

Looking for pricing, stock, or lifecycle information?

Click below to explore more details on WIN SOURCE:

- [View TFI453-800-34-7B31_26mm on WIN SOURCE](#)
- [TET Estel Information](#)

Optimize Your Supply Chain with WIN SOURCE Solutions

- ✓ Global Sourcing Solution
- ✓ Obsolete Management
- ✓ Cost Control Management
- ✓ Shortage Management
- ✓ Alternative Solution
- ✓ Excess Inventory Management