



**THE DATASHEET OF  
D043-2000-8\_14MM**





**TET ESTEL AS**  
ESTONIA

**July**  
**2015**

**Series**  
**D043-2000**

**Rectifier Press-Pack**  
**Diode**  
**Type D043-2000**

Designed for rectifiers and industrial applications

Maximum mean forward current					<b>I<sub>FAV</sub></b>	<b>2000 A</b>	
Maximum repetitive peak reverse voltage					<b>U<sub>RRM</sub></b>	<b>200 ÷ 800 V</b>	
Reverse recovery time					<b>trr (typ)</b>	<b>20 µs</b>	
U <sub>RRM</sub> , V	200	300	400	500	600	700	800
Voltage code	2	3	4	5	6	7	8
T <sub>vj</sub> , °C	- 60 ÷ 180						

**MAXIMUM ALLOWABLE RATINGS**

Symbols and parameters		Units	D043-2000	Conditions	
I <sub>FAV</sub>	Mean forward current	A	2000 2875	T <sub>c</sub> = 104°C, T <sub>c</sub> = 55°C, 180° half-sine wave, 50 Hz	
I <sub>FRMS</sub>	RMS forward current	A	3140	T <sub>c</sub> =104 °C	
I <sub>FSM</sub>	Surge forward current	kA	24 26	T <sub>vj</sub> =180°C T <sub>vj</sub> =25°C	tp=10 ms U <sub>R</sub> =0
I <sup>2</sup> t	Limiting load integral	kA <sup>2</sup> s	2880 3380	T <sub>vj</sub> =180°C T <sub>vj</sub> =25°C	
U <sub>RRM</sub>	Repetitive peak reverse voltage	V	200÷800	T <sub>j min</sub> ≤T <sub>vj</sub> ≤T <sub>jM</sub> 180° half-sine wave, 50 Hz	
U <sub>RSM</sub>	Non-repetitive peak reverse voltage	V	300÷900	T <sub>j min</sub> ≤T <sub>vj</sub> ≤T <sub>jM</sub> 180° half-sine wave tp=10 ms, Single pulse	
T <sub>stg</sub>	Storage temperature	°C	-60÷80		
T <sub>vj</sub>	Junction temperature	°C	-60÷180		

**CHARACTERISTICS**

U <sub>FM</sub>	Peak forward voltage	V	1,55	T <sub>vj</sub> =25°C, I <sub>TM</sub> =3,14 I <sub>TAV</sub>
U <sub>F(TO)</sub>	Threshold voltage	V	0,84	T <sub>vj</sub> =180°C 1,57 I <sub>TAV</sub> < I <sub>T</sub> <4,71 I <sub>TAV</sub>
R <sub>T</sub>	Forward slope resistance	mΩ	0,085	
I <sub>RRM</sub>	Repetitive peak reverse current	mA	50	T <sub>vj</sub> =180°C, U <sub>R</sub> = U <sub>RRM</sub>

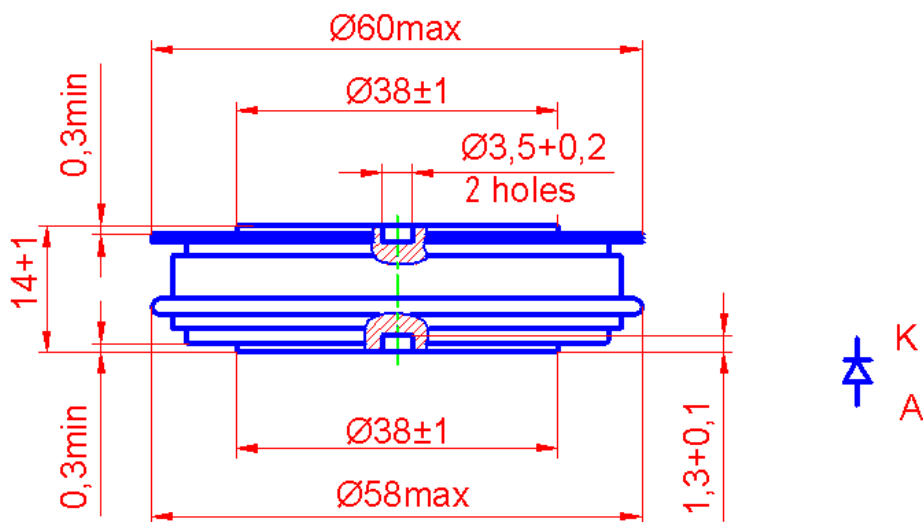
### CHARACTERISTICS

Symbols and parameters		Units	D043-2000	Conditions
Q <sub>rr</sub>	Recovered charge (typ)	μC	1000	T <sub>vj</sub> =180°C I <sub>F</sub> =2000 A di <sub>R</sub> /dt =10 A/μs U <sub>R</sub> =100V
t <sub>rr</sub>	Reverse recovery time (typ)	μs	20	
I <sub>rrm</sub>	Peak reverse recovery current (typ)	A	100	
R <sub>thjc</sub>	Thermal resistance junction to case	°C/W	0,03	Direct current, double side cooled

### ORDERING

	<b>D</b>	<b>043</b>	<b>2000</b>	<b>6</b>	
	<b>1</b>	<b>2</b>	<b>3</b>	<b>4</b>	



1. Diode
2. Design version
3. Mean forward current, A
4. Voltage code (6=600 V).



Mounting force : 13 ÷ 19 kN  
Weight : 210 grams

## Looking for pricing, stock, or lifecycle information?

Click below to explore more details on WIN SOURCE:

-  [View D043-2000-8\\_14mm on WIN SOURCE](#)
-  [TET Estel Information](#)

## Optimize Your Supply Chain with WIN SOURCE Solutions

-  Global Sourcing Solution
-  Obsolete Management
-  Cost Control Management
-  Shortage Management
-  Alternative Solution
-  Excess Inventory Management