

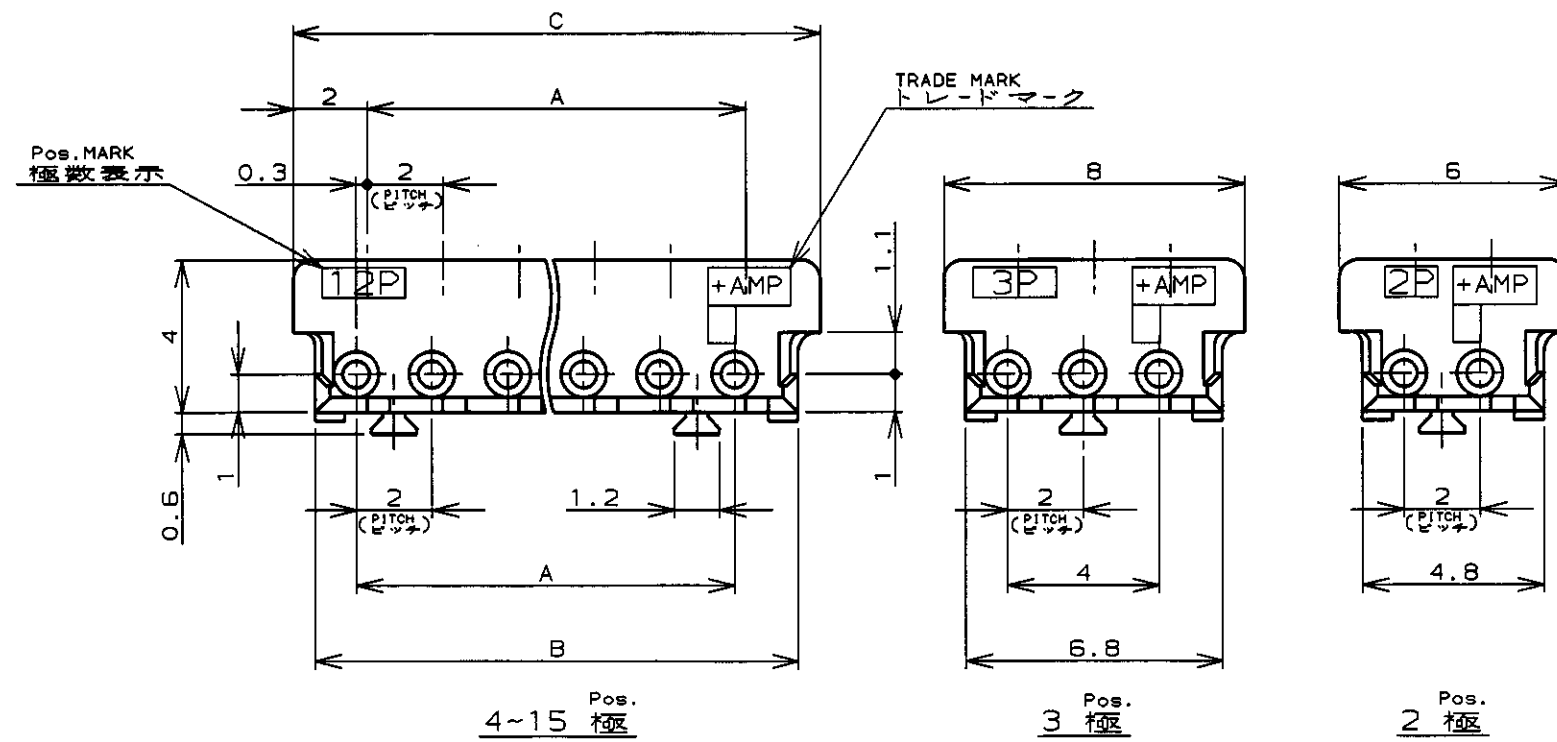
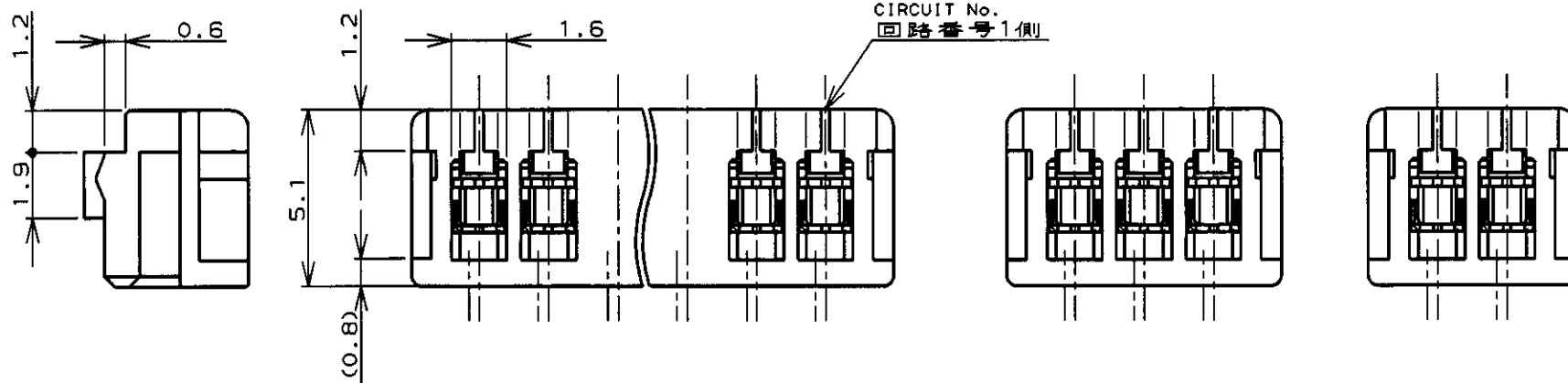
NUMBER C-173977

三角度 (3rd ANGLE PROJECTION)

METRIC

単位: ㎜ DIMENSIONS IN MM. DO NOT SCALE PRINT

PRINT DIST



注記;

- 適用電線範囲 : AWG# 28-26 (UL1571, UL1061)
被覆外径 : 0.83-1.05
- 材料 : ハウジング-ガラス入PBT UL94V-0
コンタクト-錫メッキ済磷青銅
- 運用製品規格番号 : 108-5218
- 取付運用規格番号 : 114-5104

NOTES;

- APPLICABLE WIRE SIZE : AWG# 28-26 (UL1571, UL1061)
INSULATION DIA RANGE : 0.83-1.05
- MATERIAL :
HOUSING : PBT (G.F) UL94V-0
CONTACT : PRE-TIN PHOS-BRONZE
- PRODUCT SPEC : 108-5218
- APPLICATION SPEC : 114-5104

| | | | | | | | |
|------------------|--------------------------|----------------------|----------------|-----|---------------|------|----|
| 7-173977-5 | 5-173977-5 | 3-173977-5 | 1-173977-5 | 15 | 28 | 30.8 | 32 |
| 7- ↑ -4 | 5- ↑ -4 | 3- ↑ -4 | 1- ↑ -4 | 14 | 26 | 28.8 | 30 |
| 7- -3 | 5- -3 | 3- -3 | 1- -3 | 13 | 24 | 26.8 | 28 |
| 7- -2 | 5- -2 | 3- -2 | 1- -2 | 12 | 22 | 24.8 | 26 |
| 7- -1 | 5- -1 | 3- -1 | 1- -1 | 11 | 20 | 22.8 | 24 |
| 7- -0 | 5- -0 | 3- -0 | 1- -0 | 10 | 18 | 20.8 | 22 |
| 6- -9 | 4- -9 | 2- -9 | | 9 | 16 | 18.8 | 20 |
| 6- -8 | 4- -8 | 2- -8 | | 8 | 14 | 16.8 | 18 |
| 6- -7 | 4- -7 | 2- -7 | | 7 | 12 | 14.8 | 16 |
| 6- -6 | 4- -6 | 2- -6 | | 6 | 10 | 12.8 | 14 |
| 6- -5 | 4- -5 | 2- -5 | | 5 | 8 | 10.8 | 12 |
| 6- -4 | 4- -4 | 2- -4 | | 4 | 6 | 8.8 | 10 |
| 6- -3 | 4- -3 | 2- -3 | | 3 | -AS SHOWN 図示- | | |
| 6-173977-2 | 4-173977-2 | 2-173977-2 | 173977-2 | 2 | -AS SHOWN 図示- | | |
| BLACK 黒色 | CREAM YELLOW クリームイエロー | LIGHT BLUE ライトブルー | NATURAL 自然色 | POS | A | B | C |
| PART No. 製品型番 | | | | 極数 | A | B | C |

| | | |
|---|--------------------------------------|--|
| TE Connectivity | | |
| 適合電線断面積 (WIRE RANGE) NOTE 1 mm ² (AWG -) | 被覆外径 (INSULATION DIA.) NOTE 1 mmφ | 名称 (NAME) MT REC HOUSING ASS'Y (AMP CT CONNECTOR 2mm PITCH) |
| 材料 (MATERIAL) NOTE 2 | 仕上 (FINISH) // | 一般公差 (GENERAL TOLERANCE) 10以下 : ±0.2 10を超え 30以下 : ±0.25 30を超え 100以下 : ±0.3 角 度 : ±3° |
| DR. 23/AUG/99 J. TSUJI | DE. 23/AUG/99 J. Tsuji | SIZE LOC 番号 (No.) A3 J C-173977 |
| LTR 変更 (REVISION RECORD) | DR CHK DATE | 尺度 (SCALE) REV. SHEET 4-1 G2 1 OF 1 |

| | | | | |
|-----|---------------------------|----|-----|--------|
| G2 | REVISED PER ECO-11-005033 | RK | HMR | 2APR11 |
| LTR | 変更 (REVISION RECORD) | DR | CHK | DATE |

Looking for pricing, stock, or lifecycle information?

Click below to explore more details on WIN SOURCE:

 [View 173977-4 on WIN SOURCE](#)

 [TE Connectivity](#) Information

Optimize Your Supply Chain with WIN SOURCE Solutions

-  Global Sourcing Solution
-  Obsolete Management
-  Cost Control Management
-  Shortage Management
-  Alternative Solution
-  Excess Inventory Management