

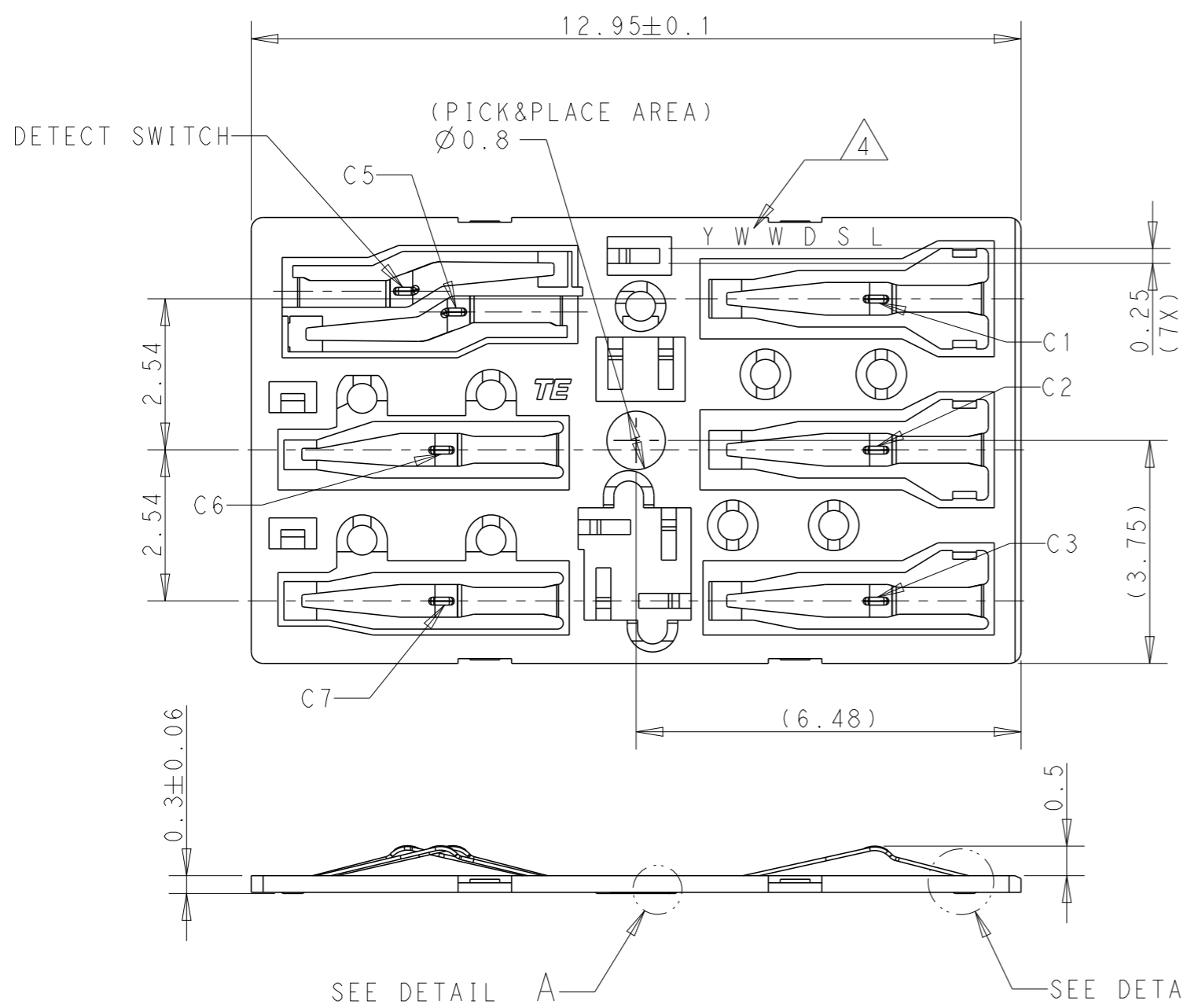


THE DATASHEET OF
2286237-1

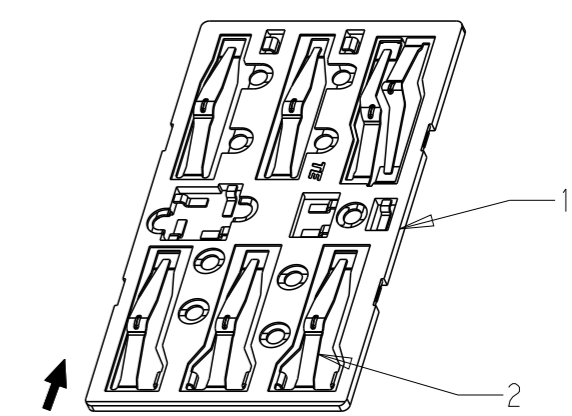


THIS DRAWING IS UNPUBLISHED. RELEASED FOR PUBLICATION 20
 © COPYRIGHT 20 BY - ALL RIGHTS RESERVED.

REVISIONS					
P	LTR	DESCRIPTION	DATE	DWN	APVD
	B	REVISED PER ECR-15-014913	12OCT2015	R.Z.	C.W.
	B1	REVISED PER ECR-16-004567	16JUN2016	R.Z.	C.W.
	B2	REVISED PER ECR-17-011288	03AUG2017	R.Z.	S.L.



- NOTES:
- 1. HOUSING MATERIAL: THERMO PLASTIC RESIN.
 - 2. CONTACT MATERIAL: COPPER ALLOY.
 - 3. FINISH :
 50u" MIN. NICKEL UNDERPLATING ALL OVER,
 GOLD PLATING 2u" MIN. ON CONTACT AREA
 12u" MIN. PD/Ni ON CONTACT AREA
 GOLD PLATING 1u" MIN. ON SOLDER AREA
 - 4. COPLANARITY: 0.08MAX. (BEFORE IR)
 - 5. DATE CODE:
 YWWSL (YEAR, WEEK, DAY, SHIFT, LINE)
 - 6. ASSISTANT PAD FOR CONTACT



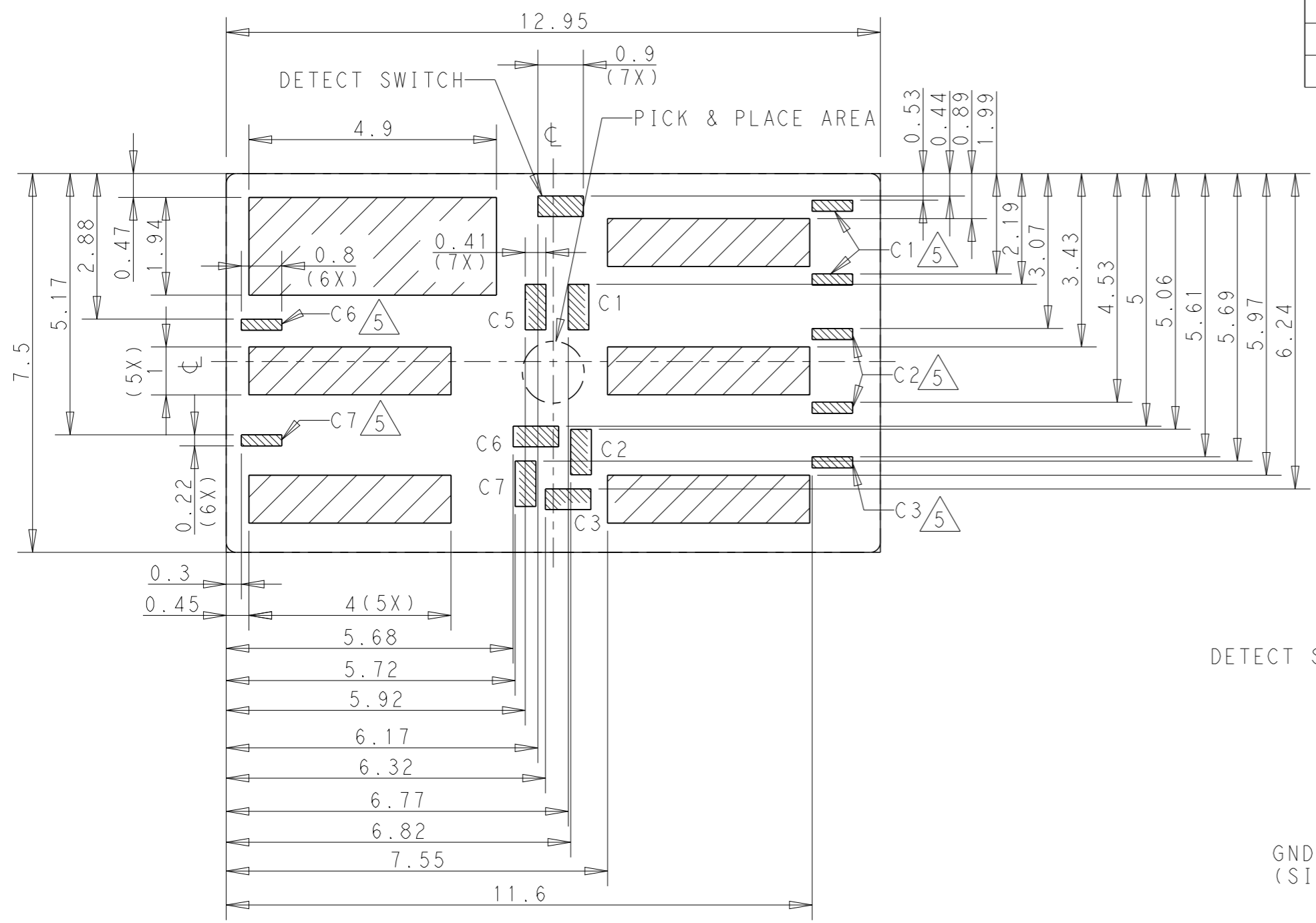
CARD INSERTION DIRECTION



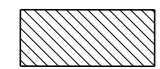
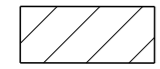
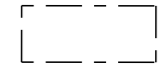
2286237-1	2	CONTACT	2
	1	HOUSING	1
P/N	ITEM	COMPONENT	MATERIAL/FINISH

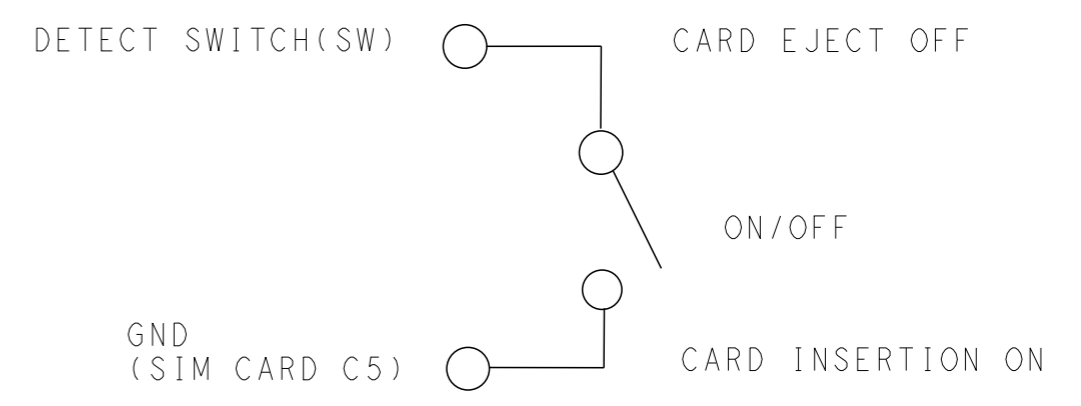
THIS DRAWING IS A CONTROLLED DOCUMENT.		DWN	11-Mar-15	TE Connectivity	
		CHK	11-Mar-15		
		APVD	11-Mar-15		
		PRODUCT SPEC	108-115089		
DIMENSIONS: mm		TOLERANCES UNLESS OTHERWISE SPECIFIED:		NAME	
0 PLC ±- 1 PLC ±0.1 2 PLC ±0.05 3 PLC ±- 4 PLC ±- ANGLES ±3°		APPLICATION SPEC		ANTI-BUCKLING BLOCK SIM CONNECTOR	
MATERIAL		FINISH		SIZE	
				CAGE CODE	
				DRAWING NO	
				RESTRICTED TO	
		WEIGHT		A300779	
		CUSTOMER DRAWING		C=2286237	
		SCALE		SHEET 1 OF 4	
				REV B2	

REVISIONS					
P	LTR	DESCRIPTION	DATE	DWN	APVD
-	-	SEE SHEET 1	-	-	-




REFERENCE P.C. BOARD LAYOUT
 (P.C.B. TOLERANCE: ±0.05)

-  SOLDER AREA
-  NO WIRE AREA
-  CONNECTOR BOUNDARY

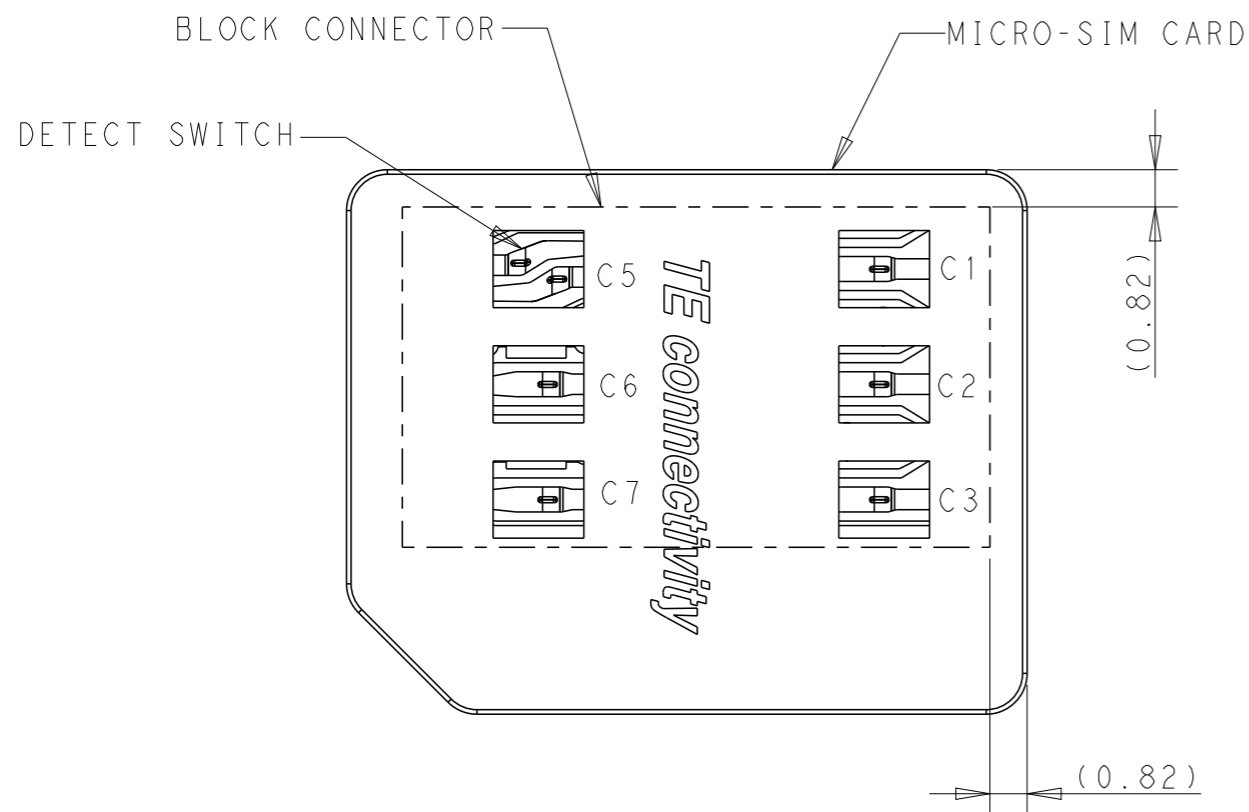


CIRCUIT DRAWING OF SWITCH

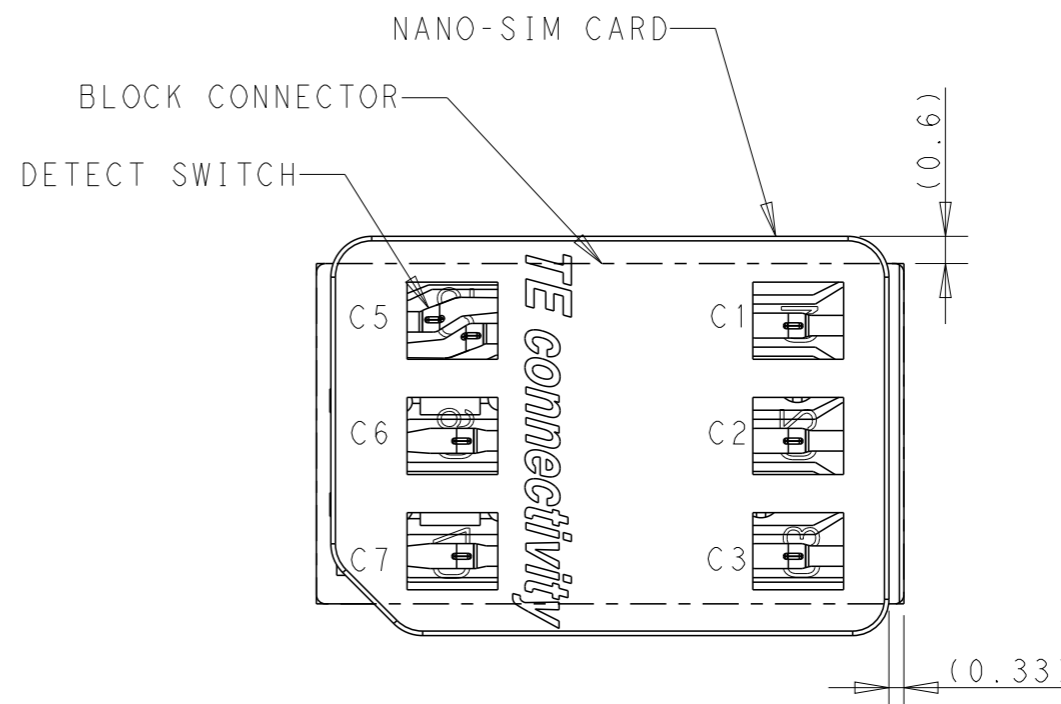
THIS DRAWING IS A CONTROLLED DOCUMENT.		DWN E.F.	11-Mar-15	 TE Connectivity	
DIMENSIONS: mm		CHK S.L.	11-Mar-15		
TOLERANCES UNLESS OTHERWISE SPECIFIED:		APVD C.W.	11-Mar-15	NAME ANTI-BUCKLING BLOCK SIM CONNECTOR	
0 PLC ±- 1 PLC ±0.3 2 PLC ±0.1 3 PLC ±- 4 PLC ±- ANGLES ±3°		PRODUCT SPEC 108-115089		DRAWING NO A300779 C=2286237	
MATERIAL		WEIGHT 0.048g		RESTRICTED TO	
FINISH		CUSTOMER DRAWING		SCALE	SHEET 2 OF 4
				REV B2	

REVISIONS


P	LTR	DESCRIPTION	DATE	DWN	APVD
-	-	SEE SHEET 1	-	-	-



REFERENCE INSERTION SITUATION MICRO-SIM CARD



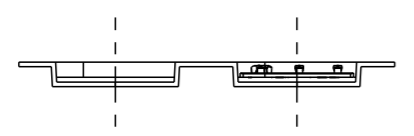
REFERENCE INSERTION SITUATION NANO-SIM CARD

THIS DRAWING IS A CONTROLLED DOCUMENT.		DWN E.F.	11-Mar-15	 TE Connectivity	
DIMENSIONS: mm		CHK S.L.	11-Mar-15		
TOLERANCES UNLESS OTHERWISE SPECIFIED:		APVD C.W.	11-Mar-15	NAME ANTI-BUCKLING BLOCK SIM CONNECTOR	
0 PLC ±- 1 PLC ±0.3 2 PLC ±0.1 3 PLC ±- 4 PLC ±- ANGLES ±3°		PRODUCT SPEC 108-115089		SIZE A3	
MATERIAL -		FINISH -		CAGE CODE 00779	
		WEIGHT 0.048g		DRAWING NO C-2286237	
		CUSTOMER DRAWING		RESTRICTED TO -	
		SCALE -		SHEET 3 OF 4	
				REV B2	

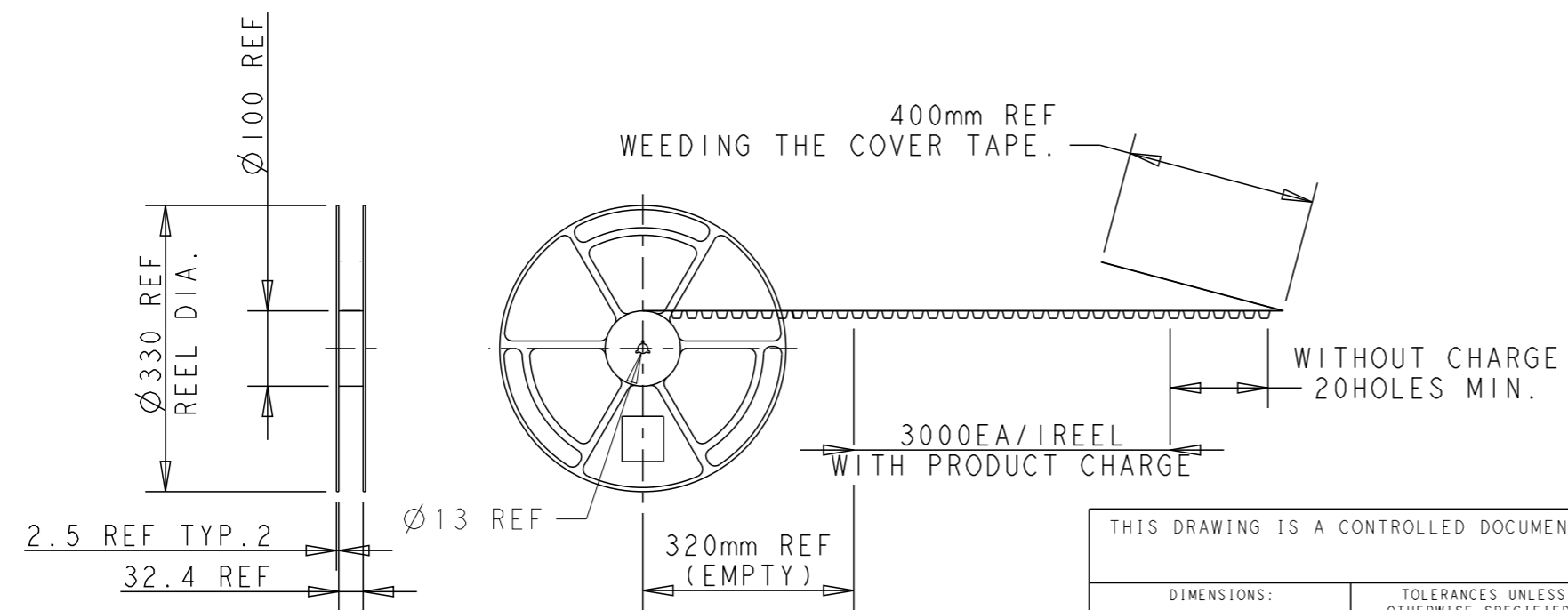
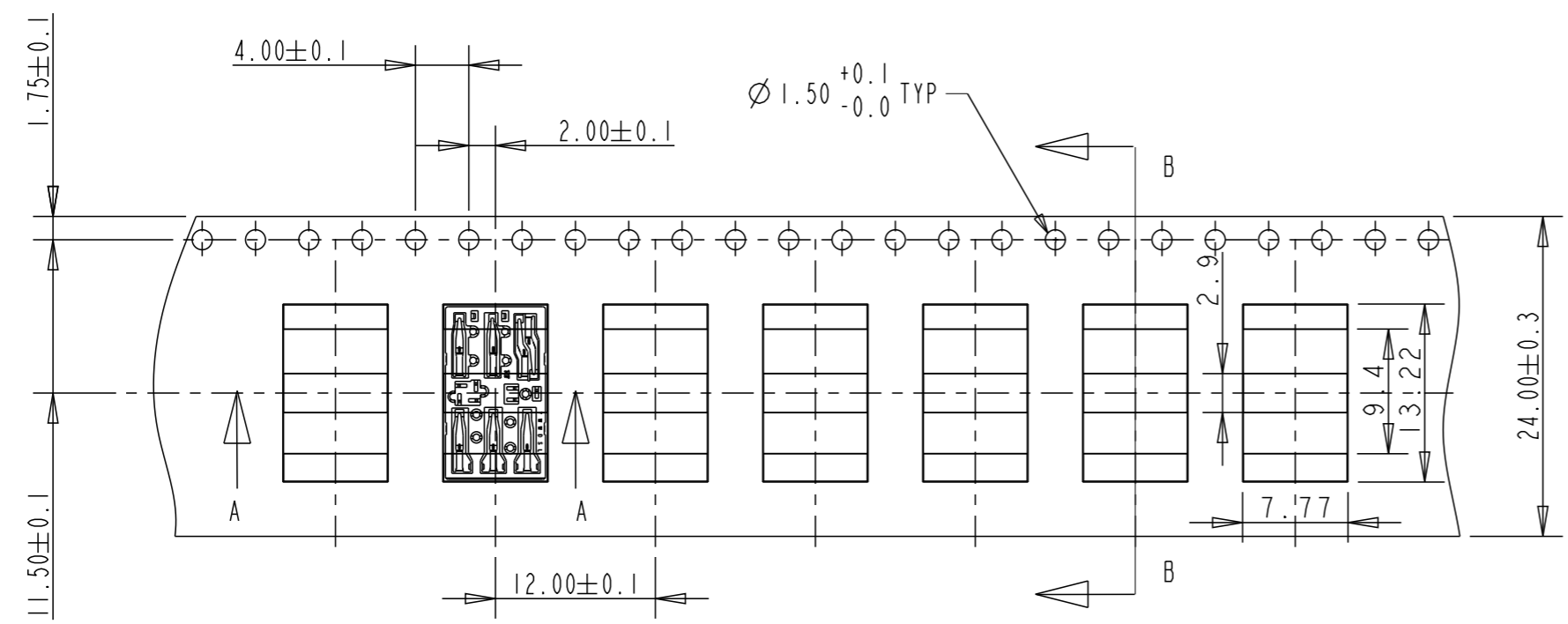
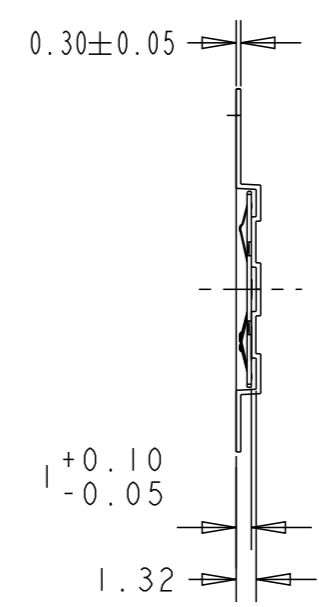
THIS DRAWING IS UNPUBLISHED. RELEASED FOR PUBLICATION 20
 © COPYRIGHT 20 BY - ALL RIGHTS RESERVED.

REVISIONS					
P	LTR	DESCRIPTION	DATE	DWN	APVD
-	-	SEE SHEET 1	-	-	-

SECTION A-A



SECTION B-B



THIS DRAWING IS A CONTROLLED DOCUMENT.		DWN E.F. 11-Mar-15	TE Connectivity	
DIMENSIONS: mm		CHK S.L. 11-Mar-15		
TOLERANCES UNLESS OTHERWISE SPECIFIED:		APVD C.W. 11-Mar-15	NAME ANTI-BUCKLING BLOCK SIM CONNECTOR	
0 PLC ±-		PRODUCT SPEC 108-115089	SIZE CAGE CODE DRAWING NO RESTRICTED TO	
1 PLC ±0.3		APPLICATION SPEC -	A300779 C-2286237	
2 PLC ±0.1		WEIGHT 0.048g	SCALE 4:1 SHEET 4 OF 4 REV B2	
3 PLC ±-		CUSTOMER DRAWING		
4 PLC ±-				
ANGLES ±3°				
FINISH -				

Looking for pricing, stock, or lifecycle information?

Click below to explore more details on WIN SOURCE:

 [View 2286237-1](#) on WIN SOURCE

 [TE Connectivity](#) Information

Optimize Your Supply Chain with WIN SOURCE Solutions

-  Global Sourcing Solution
-  Obsolete Management
-  Cost Control Management
-  Shortage Management
-  Alternative Solution
-  Excess Inventory Management