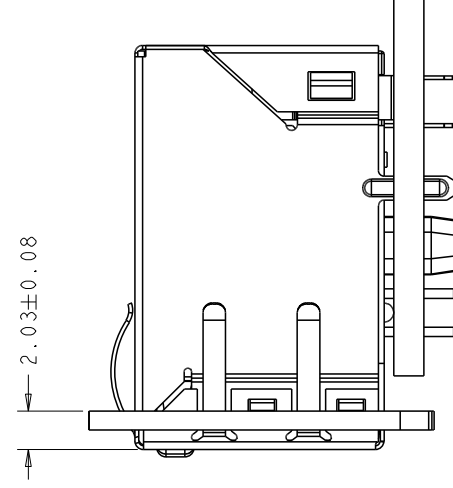
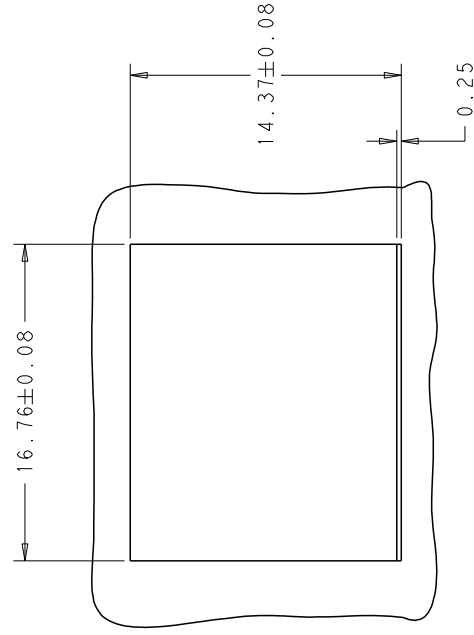
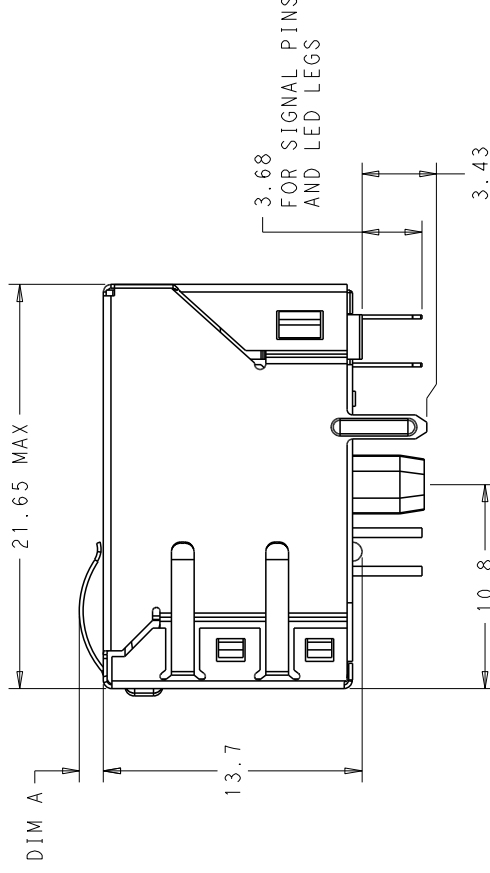
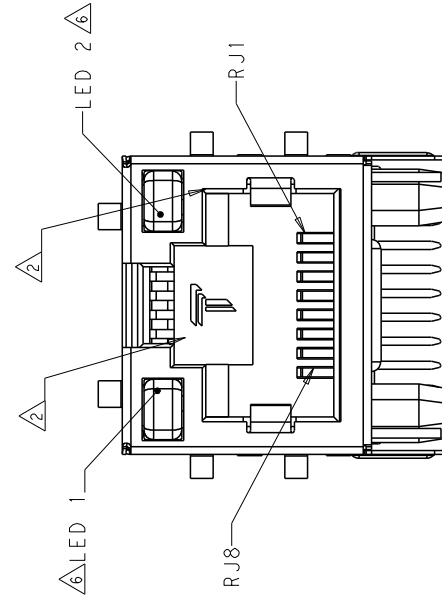
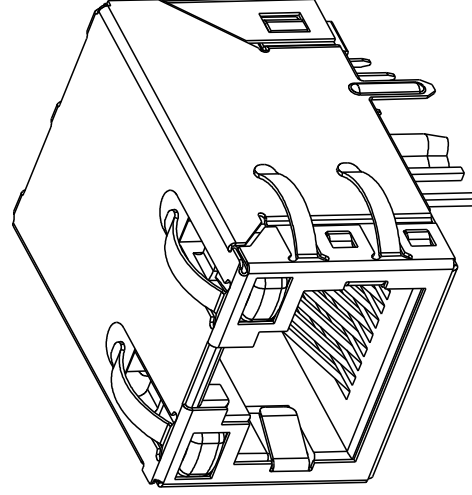
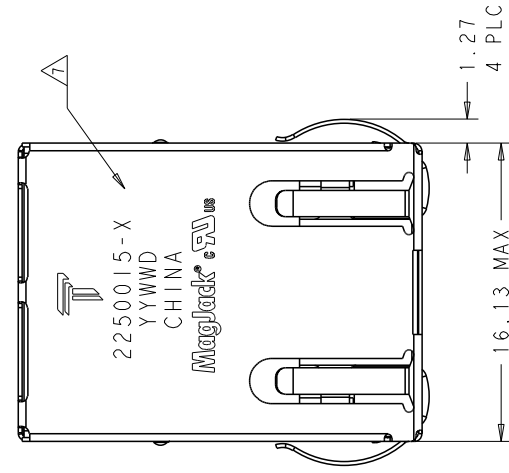




THE DATASHEET OF
2250015-3





SUGGESTED CUT PANEL AND PCB

1. MATERIALS
- HOUSING: THERMO
 - SHIELD: BRASS
 - NICKEL: SOLDER
 - CONTACTS: PHOSPHOR BRONZE
 - PLATING AT MIN OR 1.27um MIN N
 - MIN PALLADIUM
 - TIN ON SOLDER
 - SOLDER TAILS: 3um
 - UNDERPLATE
 - LIGHT EMITTING
 - STEEL WIREFRAME
 - 1.02um MIN. NIC
 - WITH 3.05um MIN

2 RJ45 JACK CAVITY

- 3 MAGNETICS
- APPLICATION: IC
 - IMPEDANCE: 100
 - TURNS RATIO (CH
 - OPEN CIRCUIT IN
 - 8mADC BIAS FROM
 - ALL FOUR PAIRS
 - PERFORMANCE @ 2
 - INSERTION LOSS
 - RETURN LOSS (RL

CROSSTALK ATTEN

- COMMON MODE RE
- ISOLATION VOLTA

4. OPERATING TEMPERA

5 INDICATED MAGNETI

6 LEDs ARE DRIVEN W

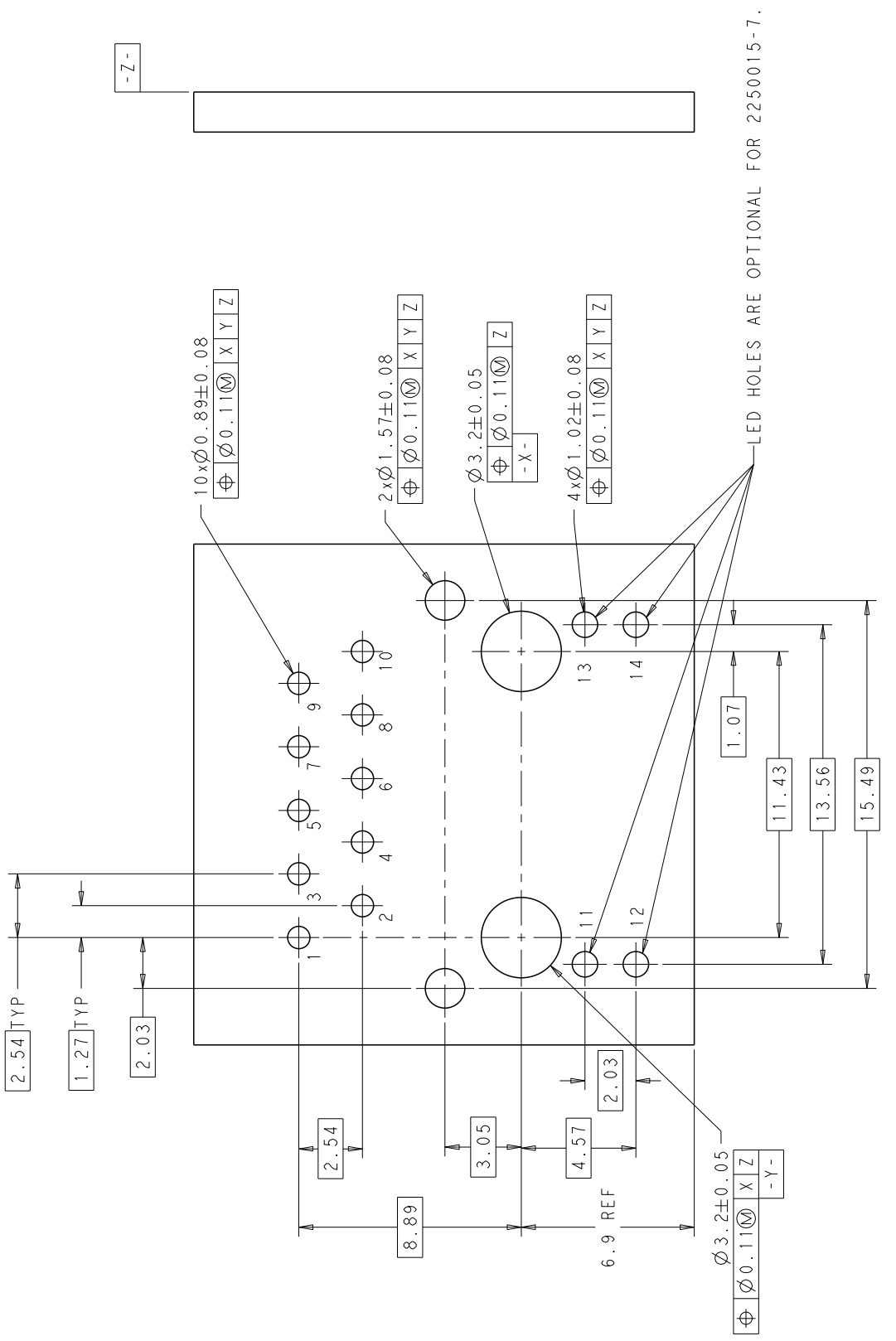
LED COLOR: DOM FOR FOR FOR FOR FOR

7 TRP CONNECTOR LOG APPROVAL MARKING YY IS YEAR. WW IS

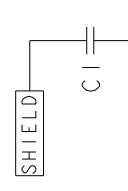
8 PART SHOULD BE RE IS 120°C TO 160°C TEMPERATURE IS 2

9 PART SHOULD BE RE TEMPERATURE IS 2 40-60 SECONDS.

9	TAPE AND R
8	TAPE AND R
8	TRAY
8	TRAY
8	TRAY
8	TRAY
8	TRAY
8	TRAY
8	PACKAG METHOD
	SOLDERING PROCESS

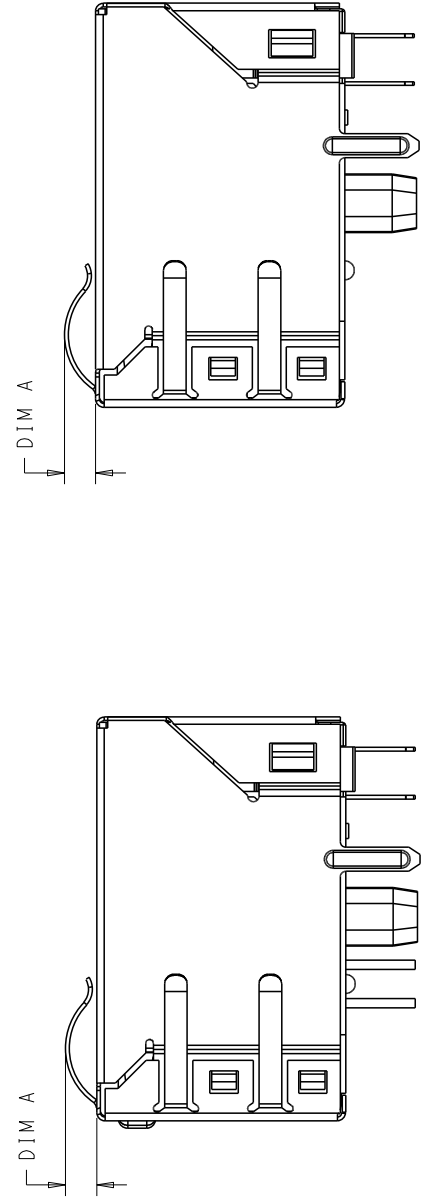


7G140



C1 = 10
 C2 -
 R1 -

SUGGESTED CUSTOMER BOARD LAYOUT
 (COMPONENT SIDE)



2250015-5
 2250015-6 SHOWN

2250015-7 SHOWN
 (WITHOUT LED)





Looking for pricing, stock, or lifecycle information?

Click below to explore more details on WIN SOURCE:

 [View 2250015-3 on WIN SOURCE](#)

 [TRP Connector B.V. Information](#)

Optimize Your Supply Chain with WIN SOURCE Solutions

-  Global Sourcing Solution
-  Obsolete Management
-  Cost Control Management
-  Shortage Management
-  Alternative Solution
-  Excess Inventory Management