



**THE DATASHEET OF**  
**20100014211**



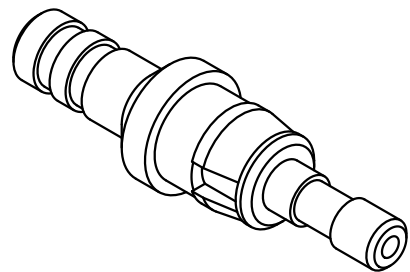
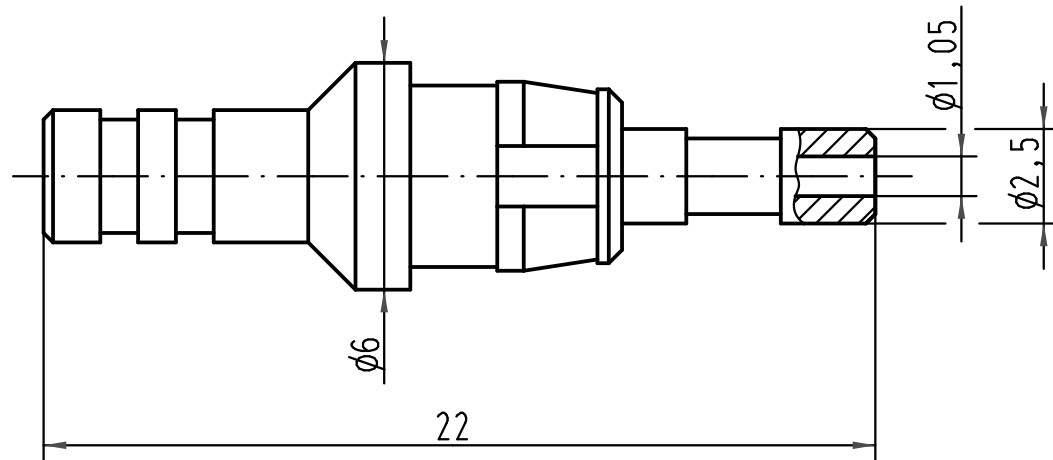
1 2 3 4 5 6

A

B

C

D



All Dimensions in mm Original Size DIN A 4		Techn. Character.			Nicht tolerierte Maße/ Free size tolerances		
			Dat.	Name	Maßstab/ Scale	<b>Stifteinsatz</b> <i>Male contact</i> 1mm POF	
			Detail.	09.03.01 DY			
			Insp.	SDT			
			Stand.				
			HARTING Electric GmbH & Co. KG D-32339 Espelkamp				<b>TB 20 10 001 4211</b>
413262	10.10.07	Ho					
29295							
Mod.	Dat.	Name	Sub.			Blatt/ page	

## Looking for pricing, stock, or lifecycle information?

Click below to explore more details on WIN SOURCE:

 [View 20100014211](#) on WIN SOURCE

 [HARTING](#) Information

## Optimize Your Supply Chain with WIN SOURCE Solutions

-  Global Sourcing Solution
-  Obsolete Management
-  Cost Control Management
-  Shortage Management
-  Alternative Solution
-  Excess Inventory Management