



**THE DATASHEET OF
S70-332002045R**



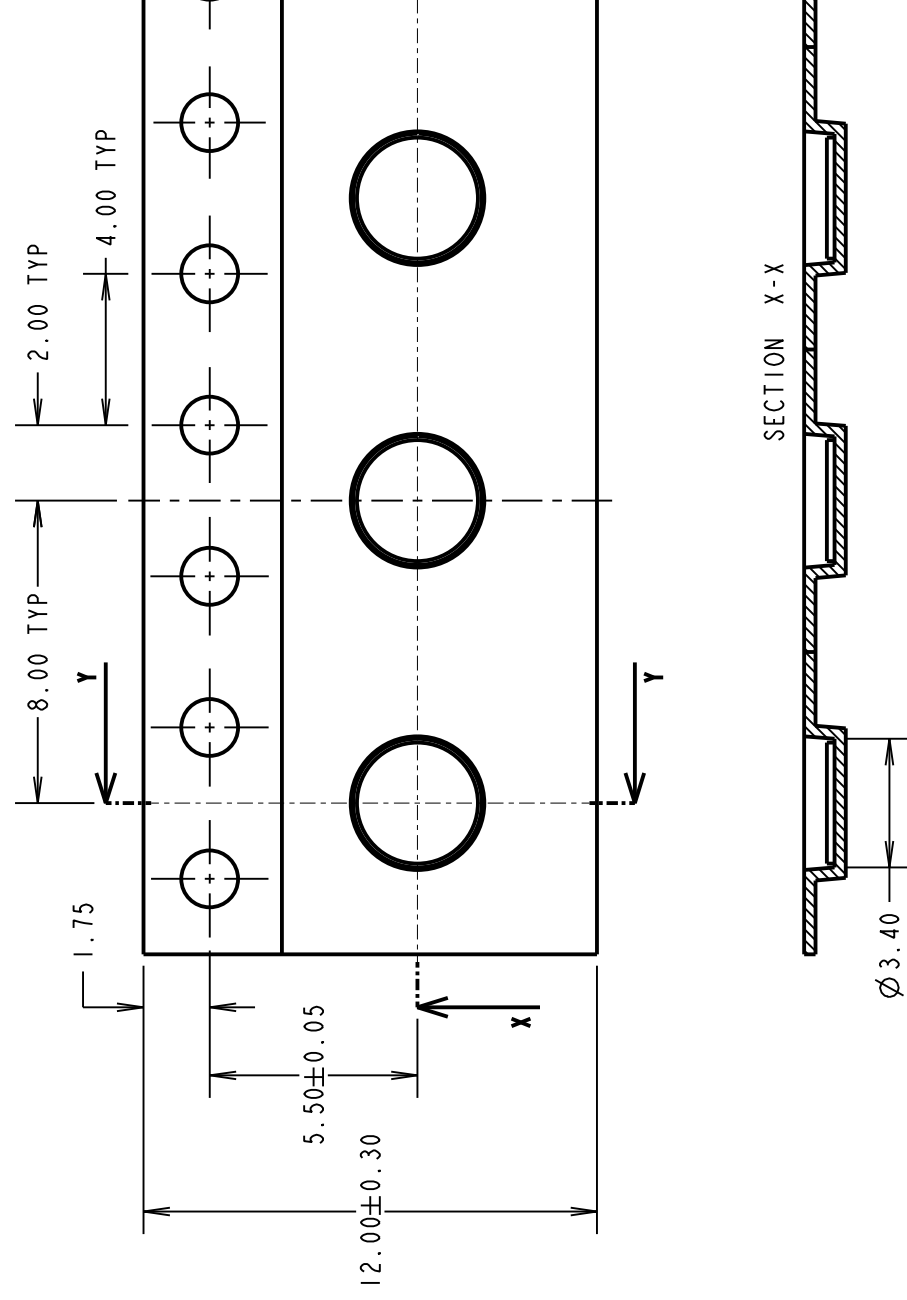
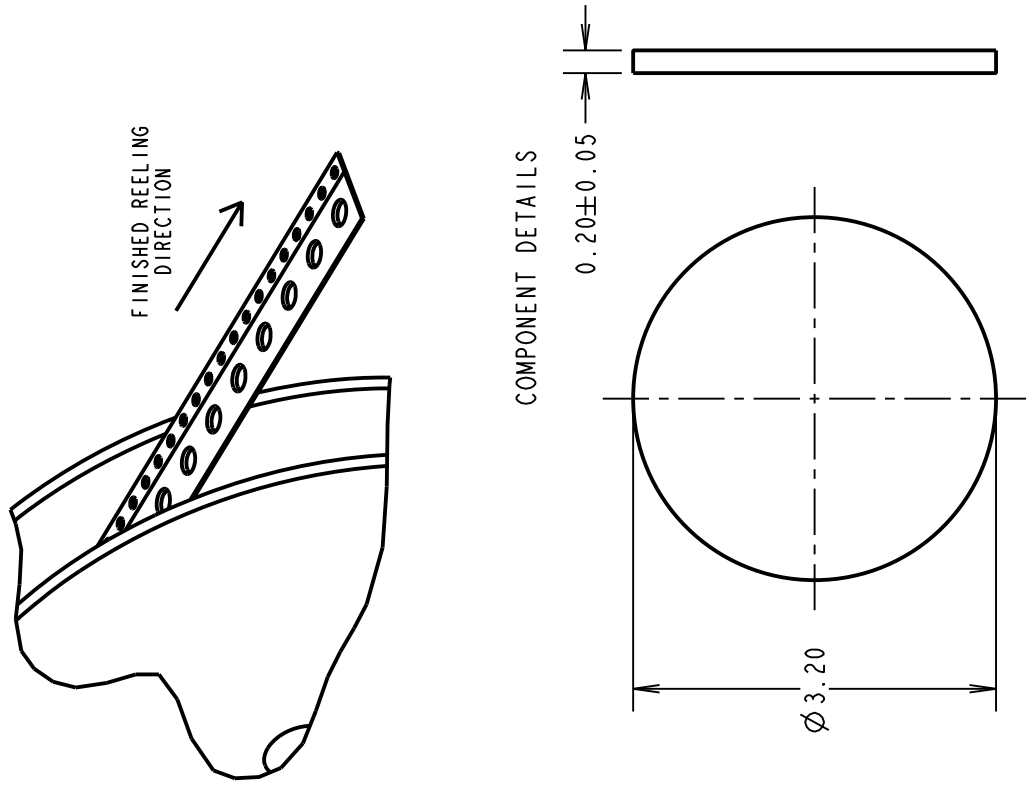
Customer Information Sheet

DRAWING No.: S70-332002045R

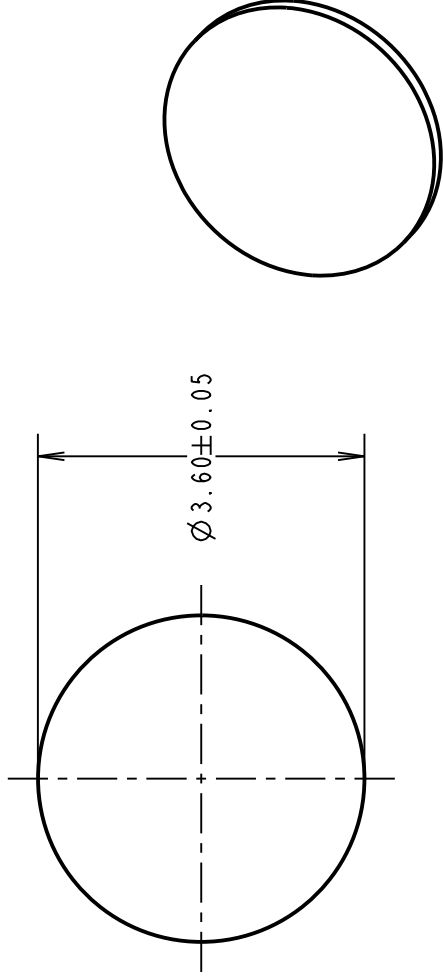
IF IN DOUBT - ASK

(C)

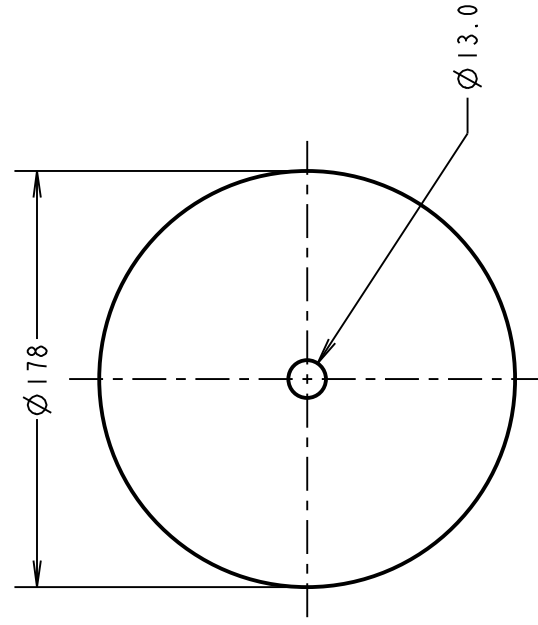
NOT TO SCALE



RECOMMENDED PCB LAYOUT



REEL DETAILS



SPECIFICATIONS:

FINISH: 0.025 μ m - 0.075

ELECTRICAL:

CURRENT RATING

CONTACT RESISTANCE

ENVIRONMENTAL:

OPERATING TEMPERATURE

PACKAGING:

QUANTITY: 2000

NOTES:

1. QUANTITY OF

2. PRODUCT IS

3. ACCORDANCE WITH

HARWIN

www.harwin.com

technical@harwin.com

THIS DRAWING AND ANY INFORMATION OR DESCRIPTIVE MATTER SET OUT HEREON ARE CONFIDENTIAL AND COPYRIGHT PROPERTY OF THE HARWIN GROUP AND MUST NOT BE DISCLOSED, LOANED, COPIED OR USED FOR MANUFACTURING, TENDERING OR FOR ANY OTHER PURPOSE WITHOUT THEIR WRITTEN PERMISSION.

TOLERANCES

X. = ± 1mm

X.X = ± 0.50mm

X.XX = ± 0.20mm

X.XXX = ± 0.1mm

ANGLES = ± 5°

UNLESS STATED

MATERIAL

FINISH

START





Looking for pricing, stock, or lifecycle information?

Click below to explore more details on WIN SOURCE:

 [View S70-332002045R on WIN SOURCE](#)

 [Harwin Inc. Information](#)

Optimize Your Supply Chain with WIN SOURCE Solutions

-  Global Sourcing Solution
-  Obsolete Management
-  Cost Control Management
-  Shortage Management
-  Alternative Solution
-  Excess Inventory Management