



**THE DATASHEET OF
P70-1030045R**



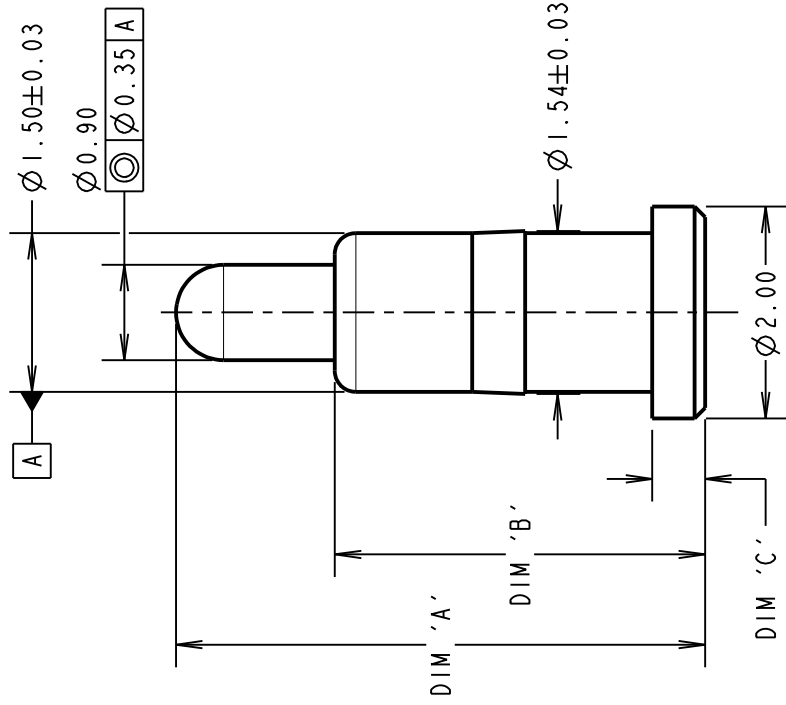
Customer Information Sheet

DRAWING No.: P70-10X0045R

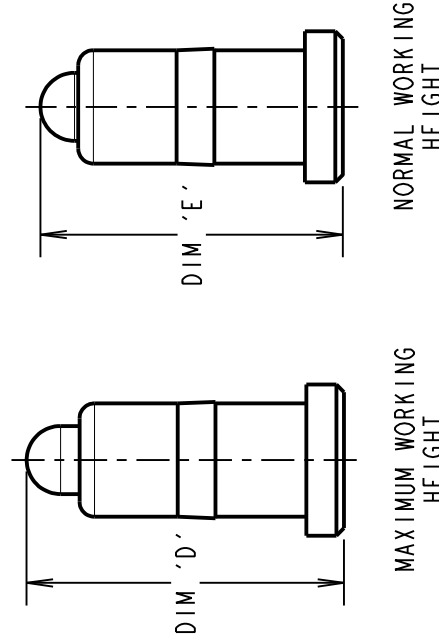
IF IN DOUBT - ASK

(C)

NOT TO SCALE



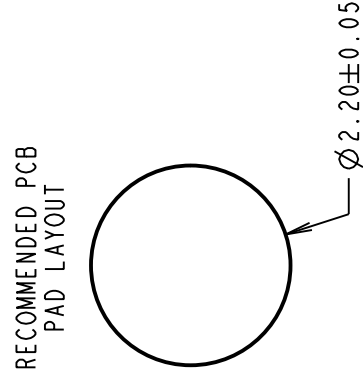
COMPONENT DETAILS



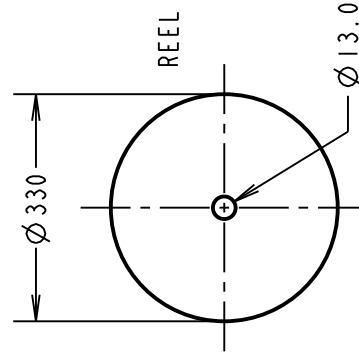
MAXIMUM WORKING HEIGHT

NORMAL WORKING HEIGHT

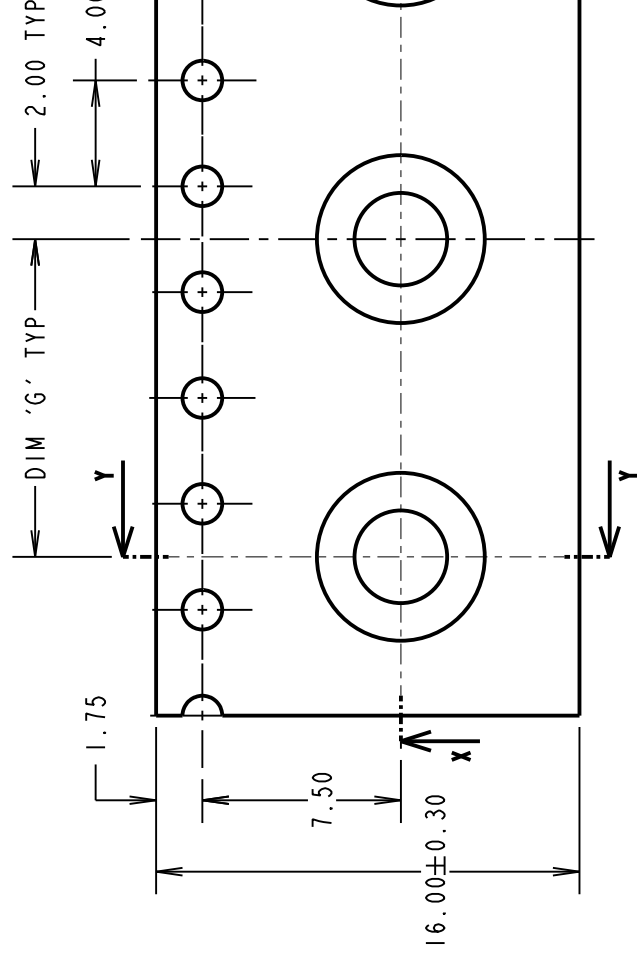
MINIMUM WORKING HEIGHT/MAX ALLOWED TRAVEL



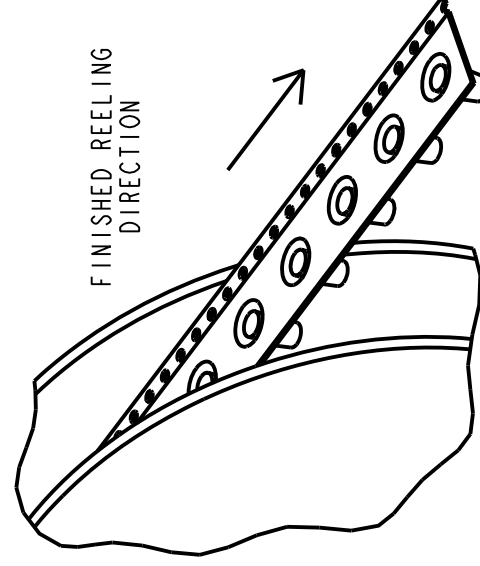
RECOMMENDED PCB PAD LAYOUT



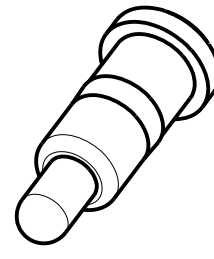
REEL DETAILS



SECTION X-X



FINISHED REELING DIRECTION



NOTES:

- IF ASSEMBLING PIN INTO MOULDED HOLES, THE RECOMMENDED HOLE SIZE = $\phi 1.00$. THE RECOMMENDED MATERIAL = GLASS EPOXY. ALL PRODUCTS ARE RoHS COMPLIANT.
- ALL PRODUCTS ARE RoHS COMPLIANT.
- PRODUCT IS TAPE AND REELED IN ACCORDANCE WITH EIA-481 (ELECTRONIC INDUCTIVE COMPONENTS).

PART No.	DIM 'A'	DIM 'B'	DIM 'C'	DIM 'D'	DIM 'E'	DIM 'F'	DIM 'G'	DIM 'H'	DIM 'I'
P70-1000045R	3.50 ± 0.20	2.50	0.40	3.00	2.90	2.70	8.00	6.00	5.11
P70-1010045R	5.00 ± 0.15	3.50	0.50	4.20	4.00	3.70	12.00	6.70	6.33
P70-1020045R	5.50 ± 0.15	4.00	1.00	4.70	4.50	4.20	12.00	7.00	6.77
P70-1030045R	7.30 ± 0.15	5.80	1.00	6.50	6.20	6.00	12.00	9.00	8.53

ORDER CODE:
P70-10X0045R

PART No.:
0, 1, 2, 3
SEE TABLE FOR SIZES.

HARWIN
www.harwin.com
technical@harwin.com

THIS DRAWING OR ANY INFORMATION OR DESCRIPTIVE MATTER SET OUT HEREON ARE CONFIDENTIAL AND COPYRIGHT PROPERTY OF THE HARWIN GROUP AND MUST NOT BE DISCLOSED, LOANED, COPIED OR USED FOR MANUFACTURING, REPRODUCTION OR ANY OTHER PURPOSE WITHOUT THEIR WRITTEN PERMISSION.

TOLERANCES
X. = ± 1mm
X.X = ± 0.50mm
X.XX = ± 0.20mm
X.XXX = ± 0.10mm
ANGLES = ± 5°
UNLESS STATED

MATERIALS
FINISHES
STARTS

Looking for pricing, stock, or lifecycle information?

Click below to explore more details on WIN SOURCE:

[View P70-1030045R on WIN SOURCE](#)

[Harwin Inc. Information](#)

Optimize Your Supply Chain with WIN SOURCE Solutions

- ✓ Global Sourcing Solution
- ✓ Obsolete Management
- ✓ Cost Control Management
- ✓ Shortage Management
- ✓ Alternative Solution
- ✓ Excess Inventory Management