



**THE DATASHEET OF  
P70-2010045R**



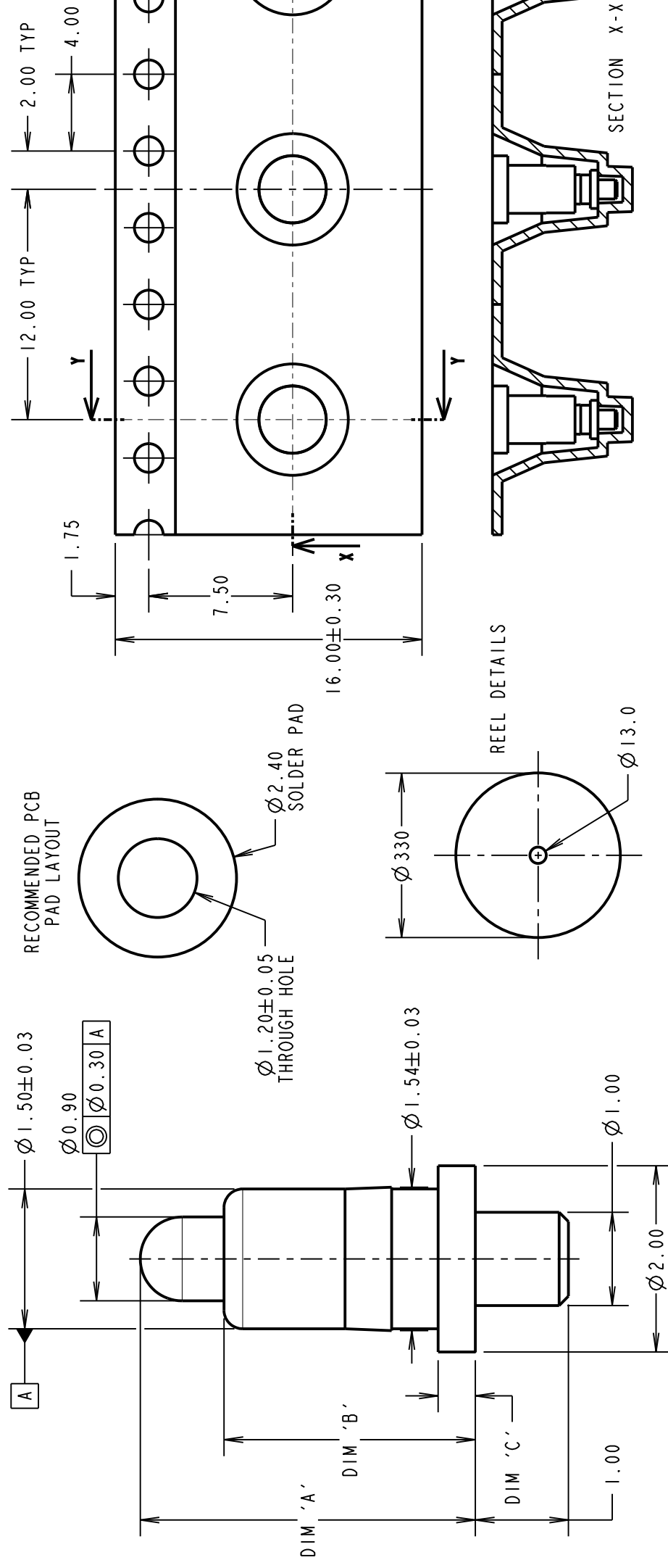
# Customer Information Sheet

DRAWING No.: P70-20X0045R

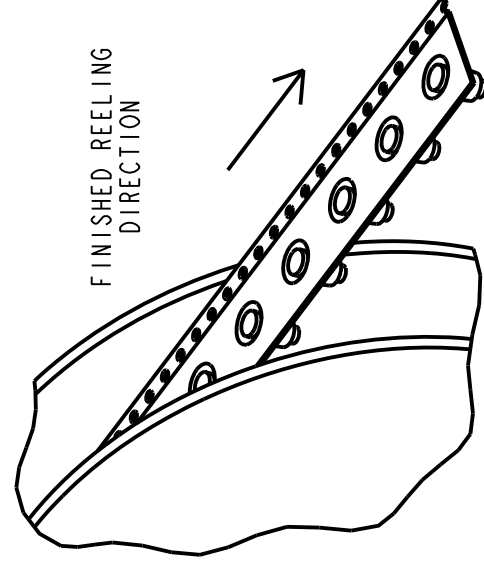
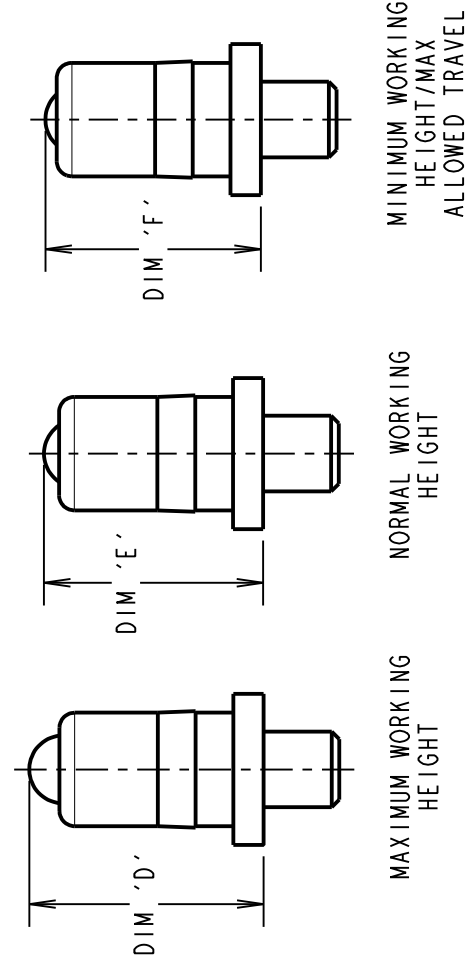
IF IN DOUBT - ASK

(C)

NOT TO SCALE



COMPONENT DETAILS



NOTES:

- IF ASSEMBLING PIN INTO COMPONENT, RECOMMENDED HOLE SIZE = 0.05mm. RECOMMENDED MATERIAL = GLASS EPOXY.
- ALL PRODUCTS ARE RoHS AND REEL FRIENDLY.
- PRODUCT IS TAPE AND REELEADER COMPATIBLE WITH EIA-481 (ELECTRONIC COMPONENTS ASSOCIATION).

ORDER CODE:  
**P70-20X0045R**

PART No.:  
0 1  
SEE TABLE FOR SIZES.

PART No.	DIM 'A'	DIM 'B'	DIM 'C'	DIM 'D'	DIM 'E'	DIM 'F'	DIM 'G'	DIM 'H'	MATERIAL
P70-2000045X	3.60±0.15	2.70	0.40	3.10	2.90	2.85	6.80	6.50	GLASS EPOXY
P70-2010045X	5.00±0.15	3.50	0.50	4.20	4.00	3.85	7.60	7.30	GLASS EPOXY

**HARWIN**

www.harwin.com  
technical@harwin.com

THIS DRAWING AND ANY INFORMATION OR DESCRIPTIVE MATTER SET OUT HEREON ARE CONFIDENTIAL AND COPYRIGHT PROPERTY OF THE HARWIN GROUP AND MUST NOT BE DISCLOSED, LOANED, COPIED OR USED FOR MANUFACTURING, TENDERING OR FOR ANY OTHER PURPOSE WITHOUT THEIR WRITTEN PERMISSION.

TOLERANCES  
X. = ±1mm  
X.X = ±0.50mm  
X.XX = ±0.20mm  
X.XXX = ±0.1mm  
ANGLES = ±5°  
UNLESS STATED

FINI

S/ART

## Looking for pricing, stock, or lifecycle information?

Click below to explore more details on WIN SOURCE:

[View P70-2010045R on WIN SOURCE](#)

[Harwin Inc. Information](#)

## Optimize Your Supply Chain with WIN SOURCE Solutions

- ✓ Global Sourcing Solution
- ✓ Obsolete Management
- ✓ Cost Control Management
- ✓ Shortage Management
- ✓ Alternative Solution
- ✓ Excess Inventory Management